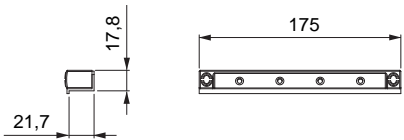
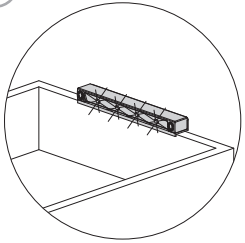
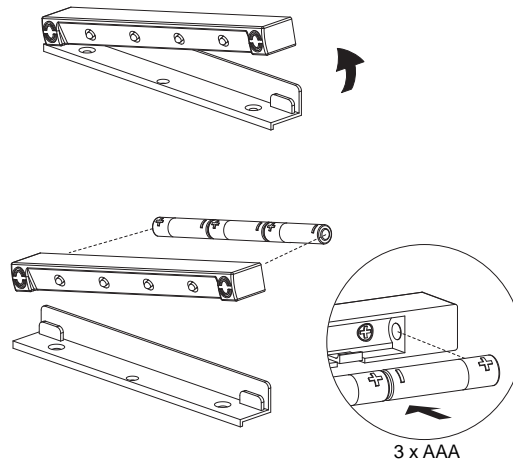


DRAWLED

A

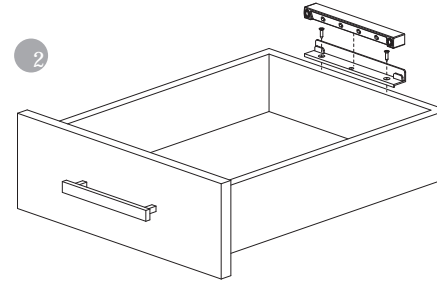


1

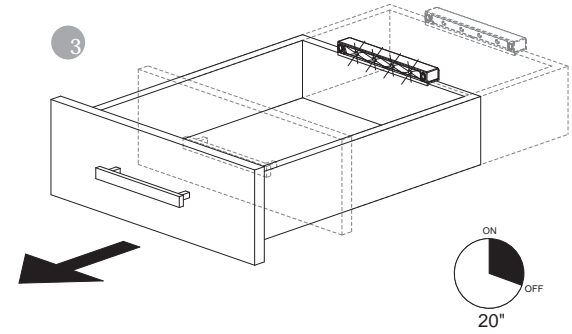


3 x AAA

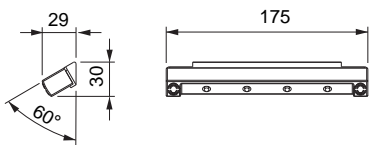
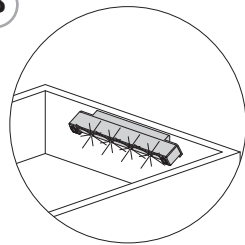
2



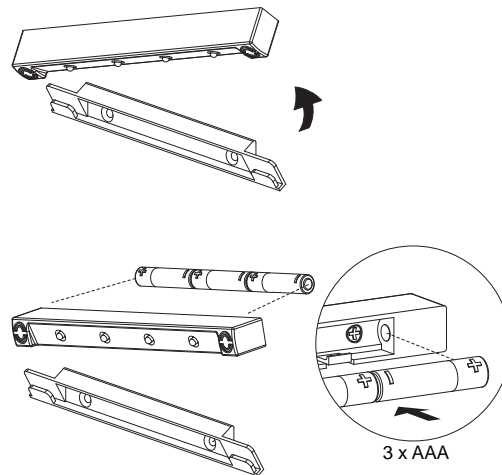
3



B

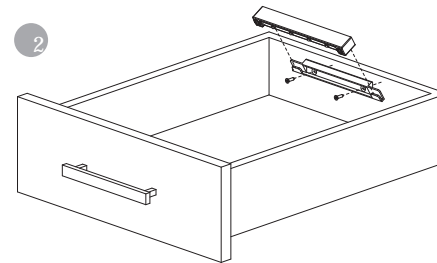


1



3 x AAA

2



3

