

# CABINET HINGE "3D" – SOFT CLOSE

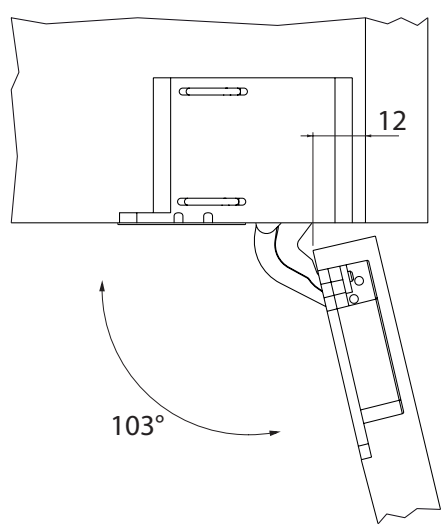
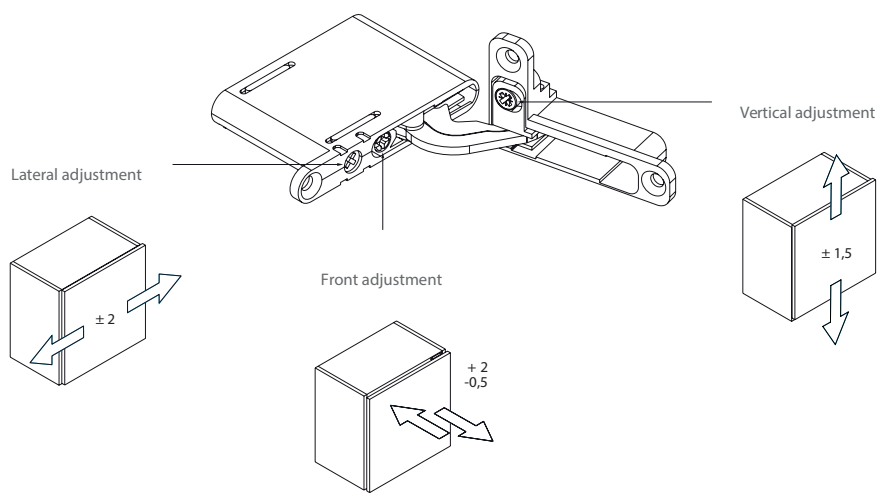
## 103 DG OPENING



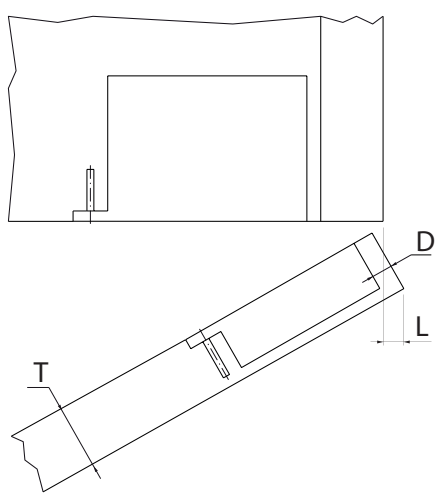
**CABINET HINGE "3D",  
103 DG, SOFT CLOSE**

**Material: Zamak - black**  
**Door thickness: 18 – 32 mm**  
**Opening: 103 degrees**  
**Load capacity: 20 kg pr. door.**  
**Item No.:**  
**Black – right hand # 15.04.001**  
**Black – left hand # 15.04.002**  
**Incl. black plastic cover plate**

Hinge for swing doors mounted recessed into milled panels. Lateral, frontal and vertical adjustment of the door. Installation on doors with alu frames possible by use of corner brackets.



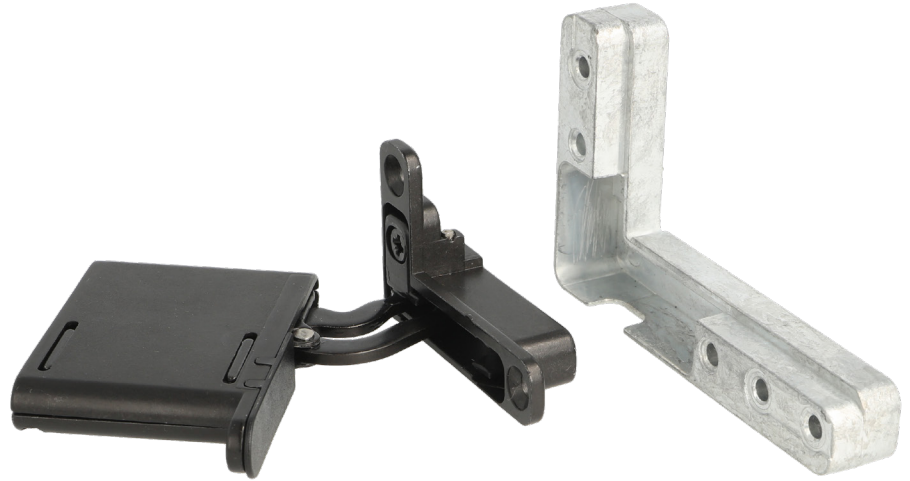
**SPACE REQUIRED FOR THE DOOR OPENING**



| L \ T | 18  | 20  | 22  | 24  | 26  | 28  | 30  | 32  |
|-------|-----|-----|-----|-----|-----|-----|-----|-----|
| 3     | 0.0 | 0.2 | 0.5 | 0.9 | 1.4 | 2.1 | 3.1 | 4.7 |
| 4     | 0.0 | 0.2 | 0.5 | 0.9 | 1.4 | 2.0 | 2.9 | 4.2 |
| 5     | 0.0 | 0.2 | 0.5 | 0.8 | 1.3 | 2.0 | 2.8 | 3.9 |
| 6     | 0.0 | 0.2 | 0.5 | 0.8 | 1.3 | 1.9 | 2.7 | 3.7 |

# CORNER BRACKET "3D" - FOR ALU FRAMES

- high quality furniture fittings



CORNER BRACKET "3D"

**Application:**  
Corner brackets for aluminum profile doors.

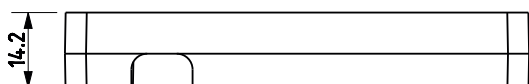
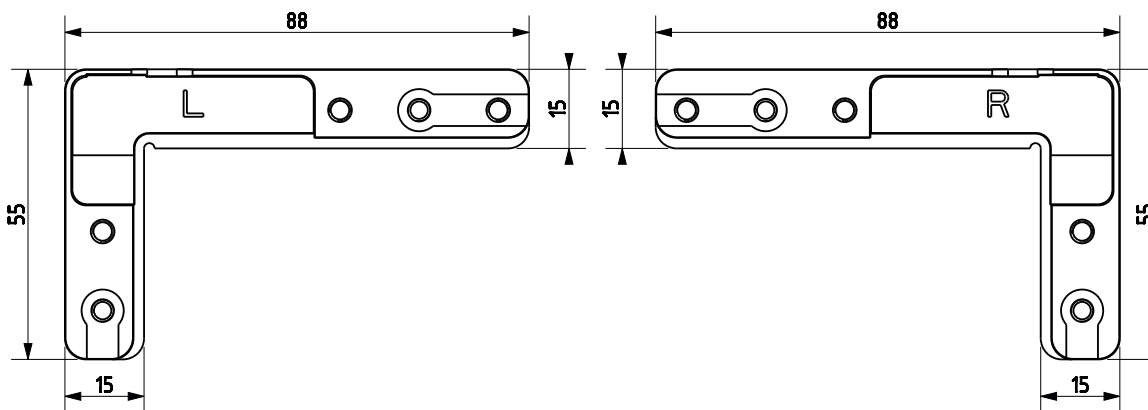
**Material:** Zamak - raw

**Size:** 55 x 88 x 14,2 mm

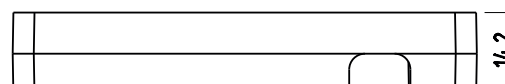
**Item No.:**

Raw – right hand # 15.04.010

Raw – left hand # 15.04.011



Item: 15.04.011-0



Item: 15.04.010-0