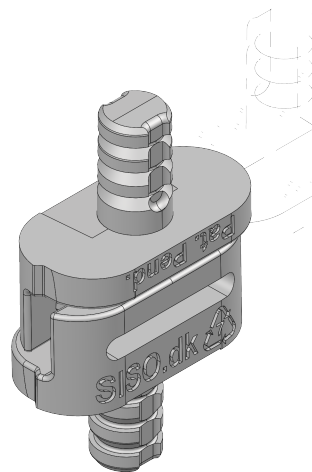
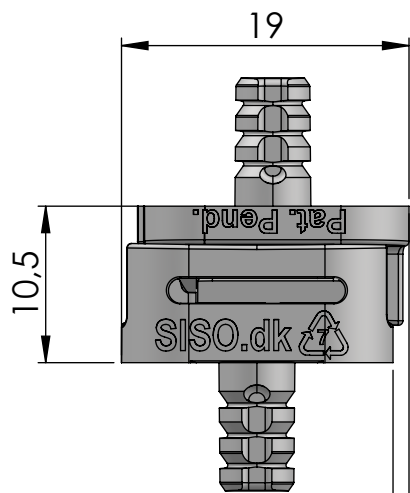
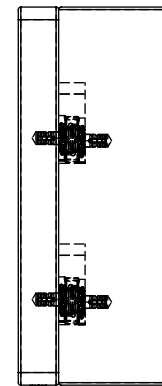
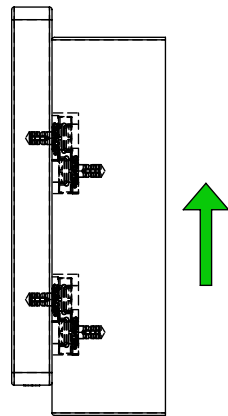
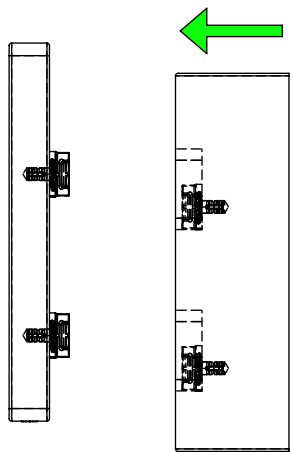
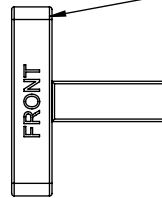
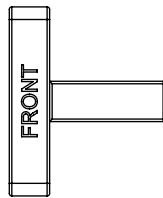
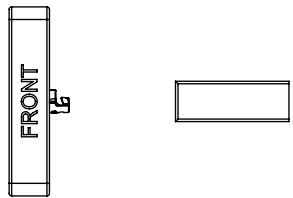
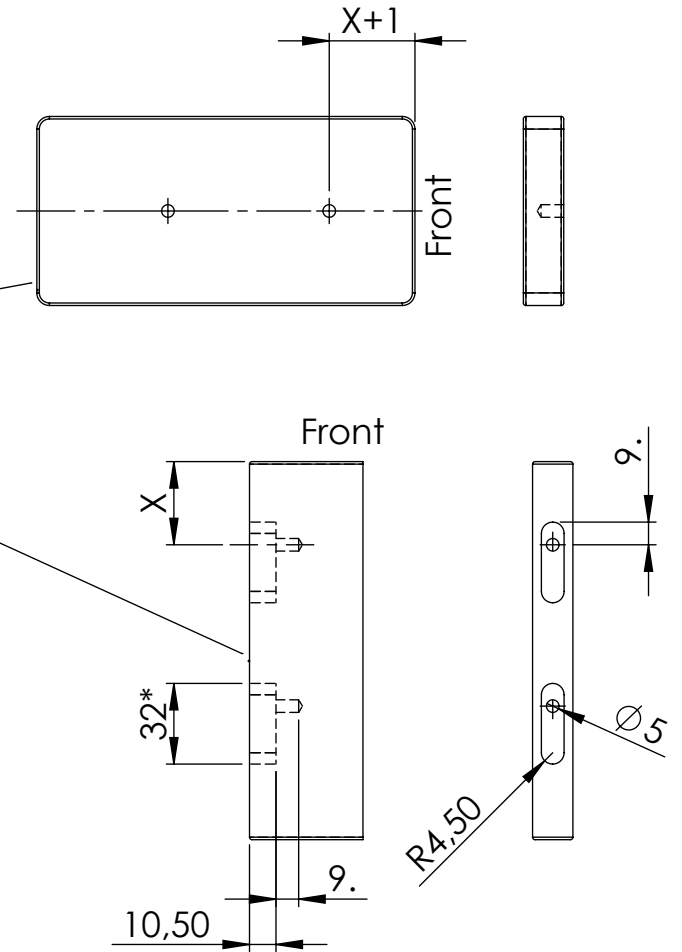
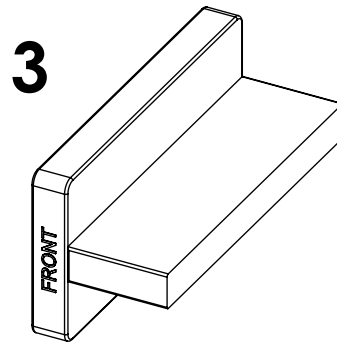
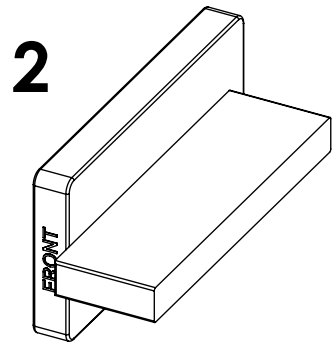
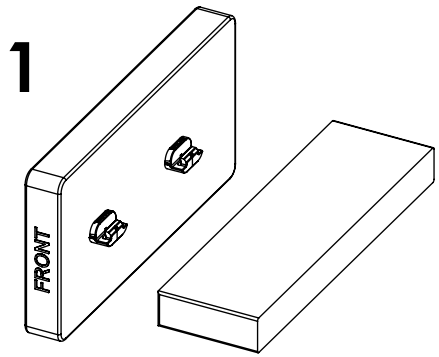


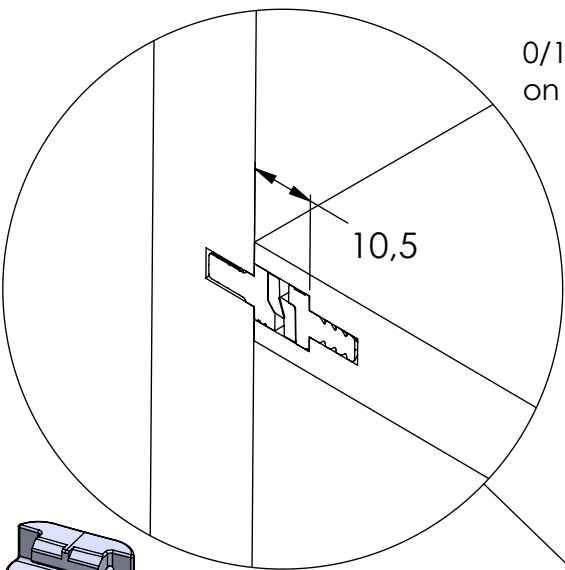
Notice: Orientation cut pointing in the same direction.



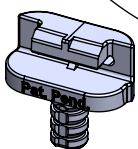
1 mm. fully engaged



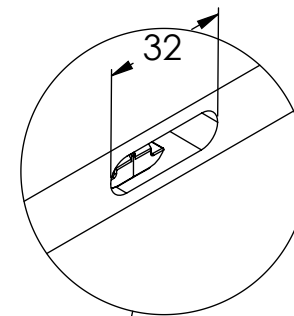
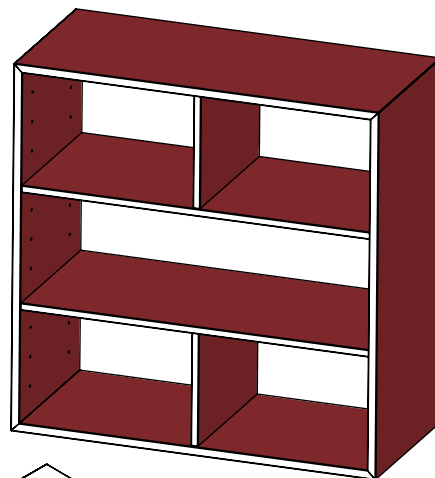
\* = Recommended  
Measurements in mm.



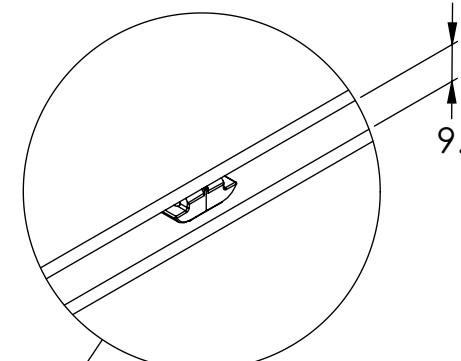
0/100 Installation  
on a 90° connection.



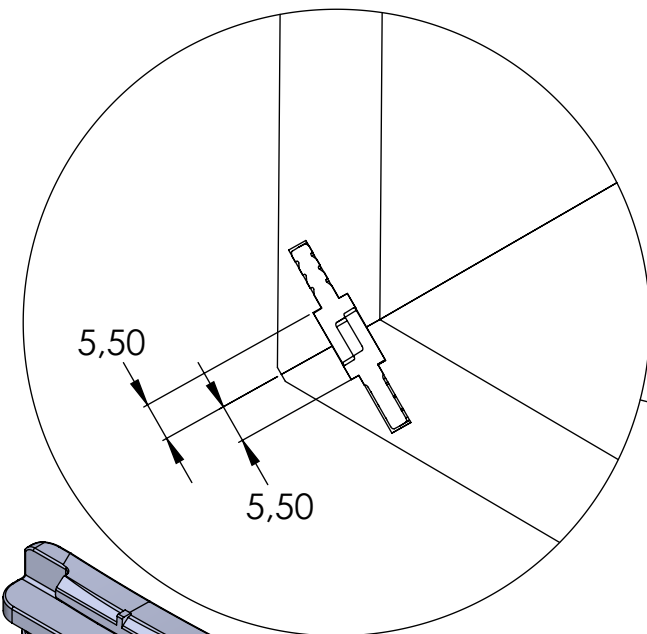
Temari



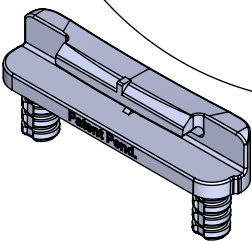
Pocket groove illustrated



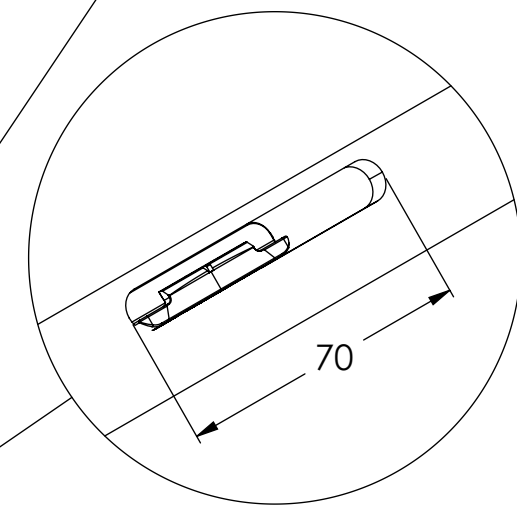
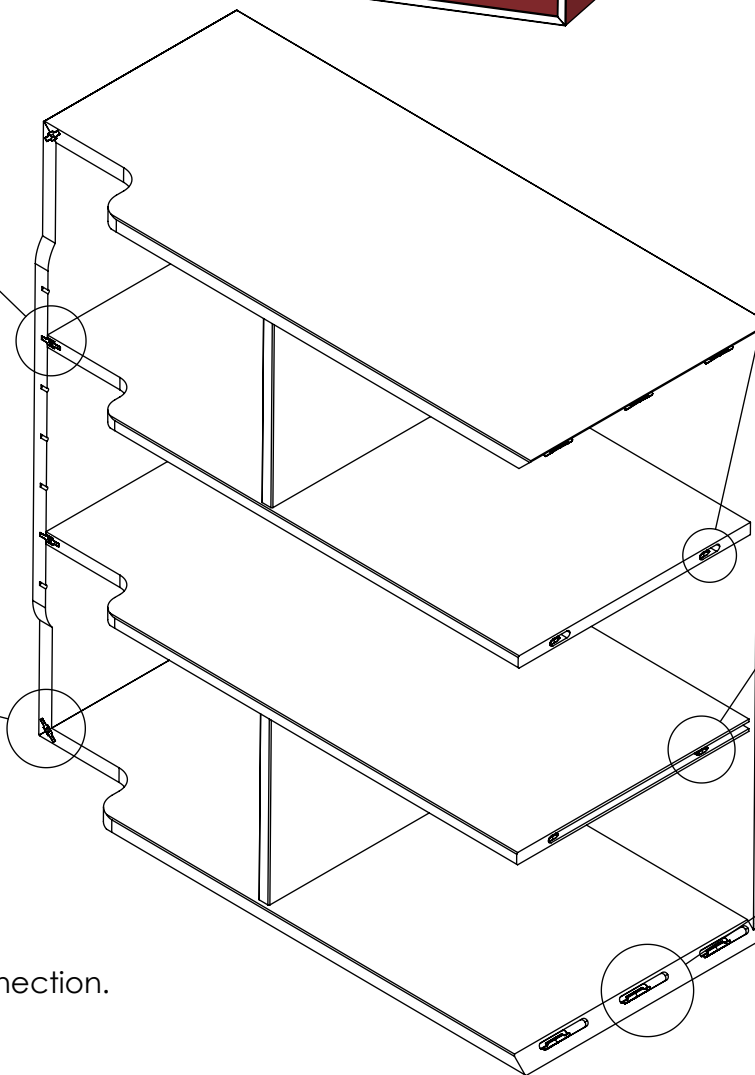
One stop groove illustrated



50/50 Installation  
on a 45° corner connection.



Maki



Pocket groove shown on a 45° corner