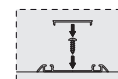
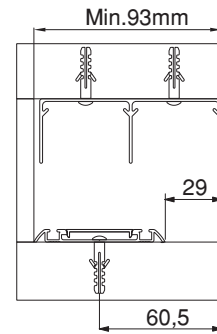
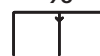
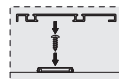
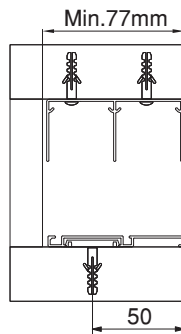
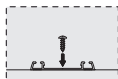
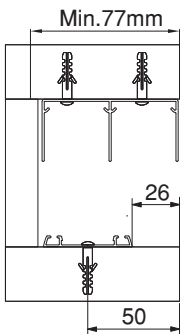
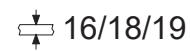
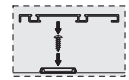
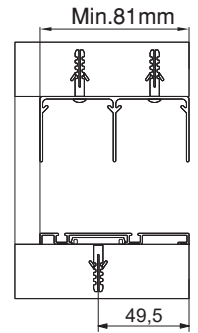
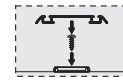
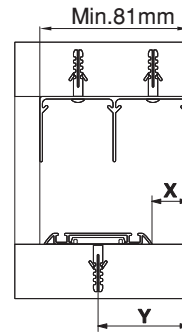
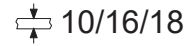
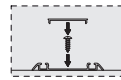
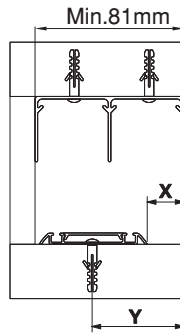
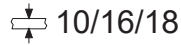
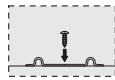
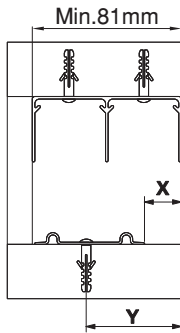
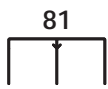
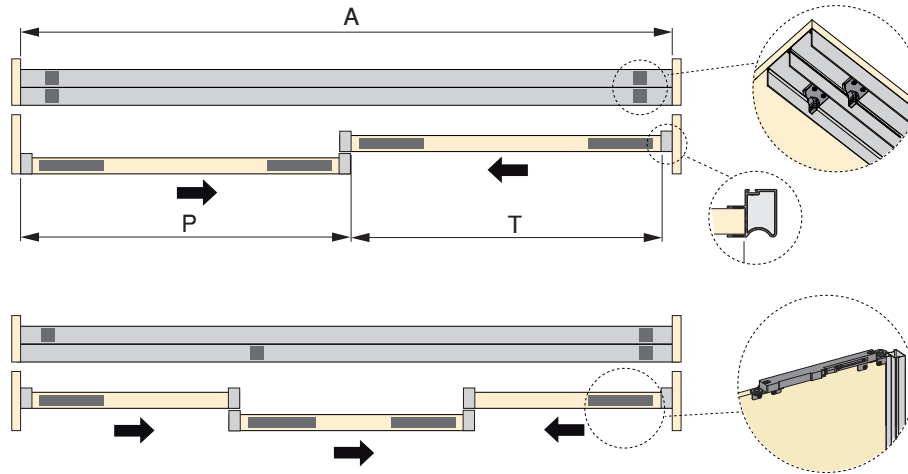
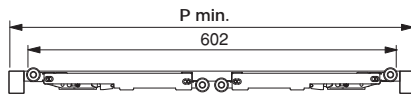


Icon	Symbol	X	Y
	10/16	20	49,5
	18	22	51,5

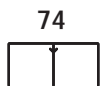




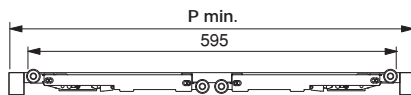
HANDLES MANIGLIE TIRADORES POIGNÉES PUXADORES									
	STYLE 10	WAVE 16	WAVE 16E	SHARP 16	WAVE 18	WAVE 18E	SHARP 18E	DEEP 18	QUAD 18
P min.	674 mm	656 mm	656 mm	640 mm	656 mm	656 mm	640 mm	656 mm	684 mm



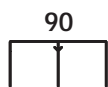
STYLE 10	WAVE 16	WAVE 16E	WAVE 18	WAVE 18E	DEEP 18	SHARP 16	SHARP 18E	QUAD 18
$T = \frac{A + 6}{2}$ $P = \frac{A + 12}{2}$	$T = \frac{A - 50}{2}$ $P = \frac{A + 18}{2}$	$T = \frac{A - 50}{2}$ $P = \frac{A + 18}{2}$	$T = \frac{A - 50}{2}$ $P = \frac{A + 18}{2}$	$T = \frac{A - 50}{2}$ $P = \frac{A + 18}{2}$	$T = \frac{A - 50}{2}$ $P = \frac{A + 18}{2}$	$T = \frac{A - 45}{2}$ $P = \frac{A + 15}{2}$	$T = \frac{A - 45}{2}$ $P = \frac{A + 15}{2}$	$T = \frac{A - 105}{2}$ $P = \frac{A + 35}{2}$
$T = \frac{A + 15}{3}$ $P = \frac{A + 24}{3}$	$T = \frac{A - 66}{3}$ $P = \frac{A + 35}{3}$	$T = \frac{A - 66}{3}$ $P = \frac{A + 35}{3}$	$T = \frac{A - 66}{3}$ $P = \frac{A + 35}{3}$	$T = \frac{A - 66}{3}$ $P = \frac{A + 35}{3}$	$T = \frac{A - 66}{3}$ $P = \frac{A + 35}{3}$	$T = \frac{A - 60}{3}$ $P = \frac{A + 30}{3}$	$T = \frac{A - 60}{3}$ $P = \frac{A + 30}{3}$	$T = \frac{A - 140}{3}$ $P = \frac{A + 70}{3}$



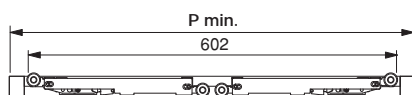
HANDLES MANIGLIE TIRADORES POIGNÉES PUXADORES						
	STYLE 16	WAVE 16	SHARP 16	SHARP 18	WAVE 19	SHARP 19
P min.	642 mm	634 mm	634 mm	634 mm	634 mm	634 mm



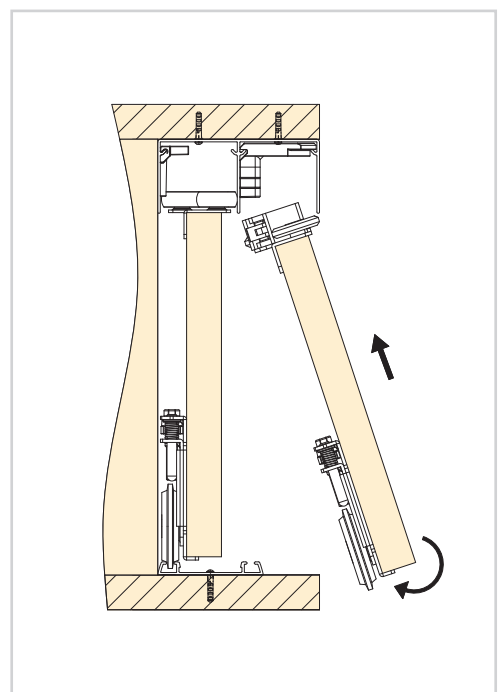
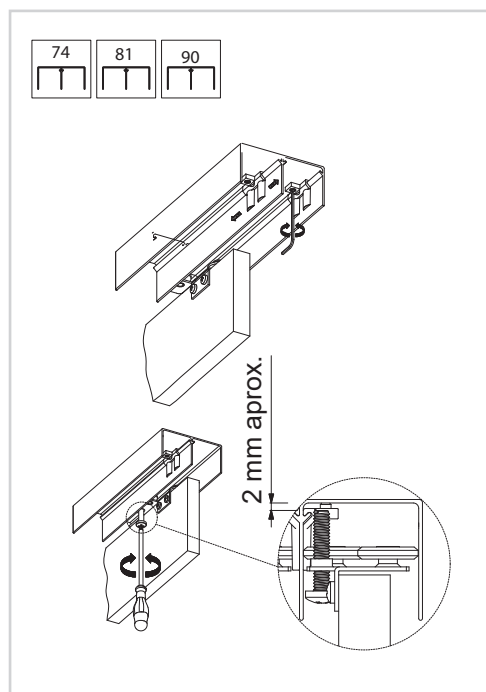
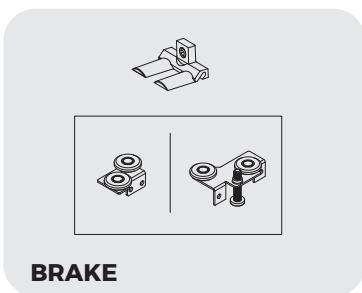
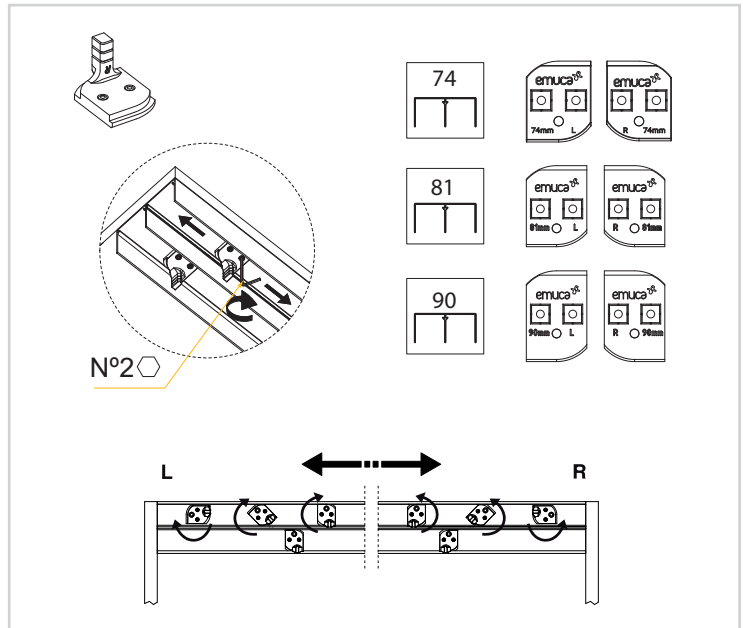
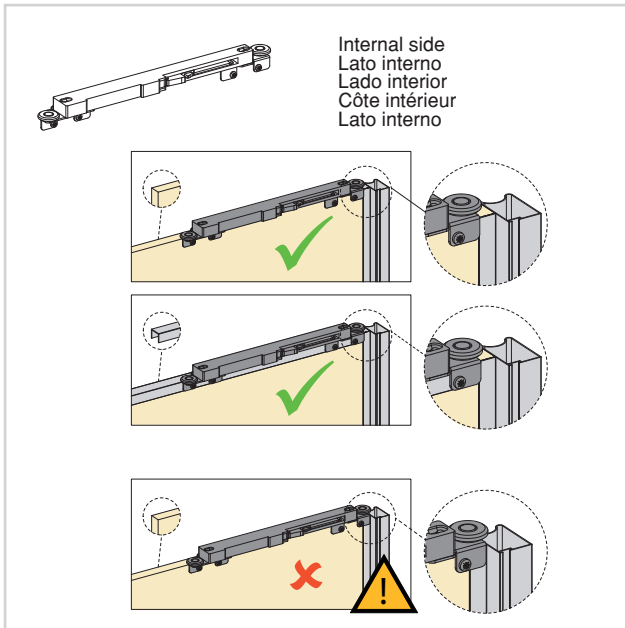
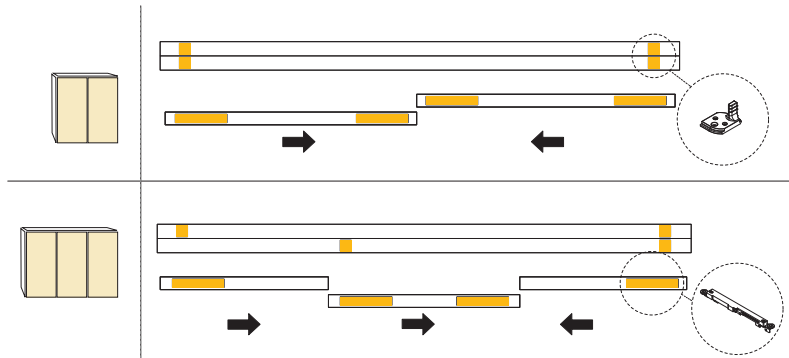
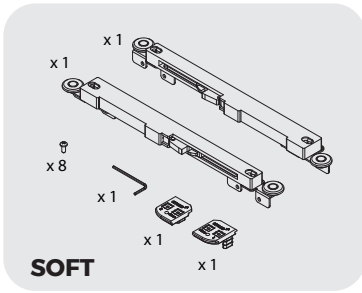
STYLE 16	WAVE 16	SHARP 16	SHARP 18	WAVE 19	SHARP 19
$T = \frac{A - 12}{2}$ $P = \frac{A + 12}{2}$	$T = \frac{A - 50}{2}$ $P = \frac{A + 18}{2}$	$T = \frac{A - 50}{2}$ $P = \frac{A + 18}{2}$	$T = \frac{A - 50}{2}$ $P = \frac{A + 18}{2}$	$T = \frac{A - 50}{2}$ $P = \frac{A + 18}{2}$	$T = \frac{A - 50}{2}$ $P = \frac{A + 18}{2}$
$T = \frac{A - 12}{3}$ $P = \frac{A + 24}{3}$	$T = \frac{A - 66}{3}$ $P = \frac{A + 35}{3}$	$T = \frac{A - 66}{3}$ $P = \frac{A + 35}{3}$	$T = \frac{A - 66}{3}$ $P = \frac{A + 35}{3}$	$T = \frac{A - 66}{3}$ $P = \frac{A + 35}{3}$	$T = \frac{A - 66}{3}$ $P = \frac{A + 35}{3}$

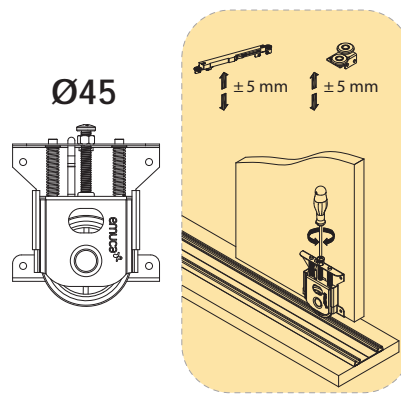
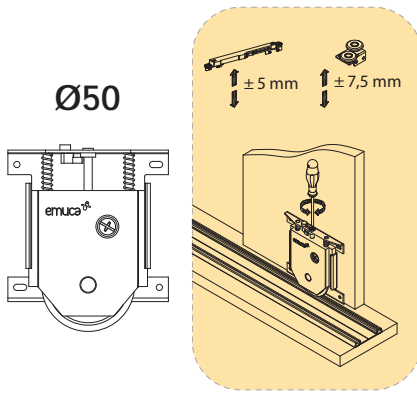


HANDLES MANIGLIE TIRADORES POIGNÉES PUXADORES			
	LINE 19	VALL 19	HILL 19
P min.	628 mm	636 mm	636 mm



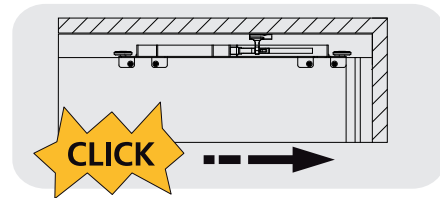
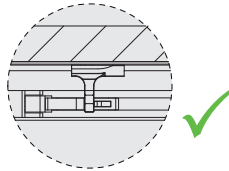
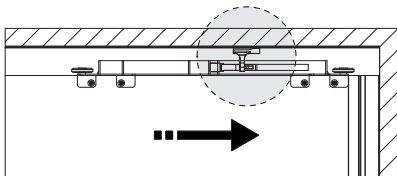
LINE 19	VALL 19	HILL 19
$T = \frac{A + 16}{2}$ $P = \frac{A + 20}{2}$	$T = \frac{A + 16}{2}$ $P = \frac{A + 28}{2}$	$T = \frac{A + 30}{2}$ $P = \frac{A + 34}{2}$
$T = \frac{A + 34}{3}$ $P = \frac{A + 40}{3}$	$T = \frac{A + 42}{3}$ $P = \frac{A + 60}{3}$	$T = \frac{A + 62}{3}$ $P = \frac{A + 68}{3}$



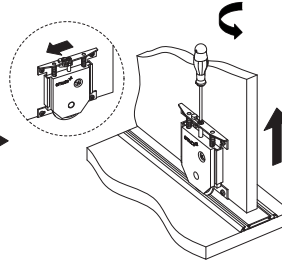
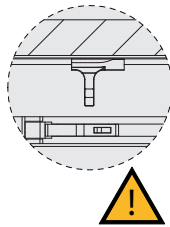
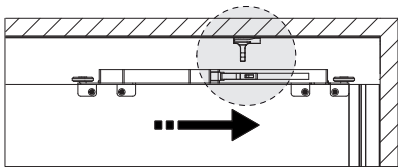


**A**

Adjustment closing (first time)  
Regolazione per chiusura (prima volta)  
Ajuste de cierre (primera vez)  
L'ajustement la fermeture (la première fois)  
Ajuste o feche (primeira vez)



**B**



**C**

