

Knock-Down FITTINGS



- high quality furniture fittings



The technical descriptions and dimensions in this catalogue, also those with the photographs and drawings, are not binding. We reserve the right to make design improvements.

We bear no liability for any misprints or other errors that might occur in the production of the catalogue.

SISO A/S tager forbehold for trykfejl samt ændringer i produktets specifikationer.

Für Druckfehler und Irrtümer ist jede Haftung ausgeschlossen. Produktänderungen behalten wir uns vor.



- high quality furniture fittings

SISO A/S
MILEPARKEN 11
DK - 2740 SKOVLUNDE
(COPENHAGEN)
DENMARK
PHONE: (+45) 45 830 900

DISTRIBUTOR

CONTENTS

- high quality furniture fittings

SISO
DENMARK

KNOCK DOWN "SYSTEM S" - Ø15 mm.....	3-7
"MINI " KNOCK DOWN "SYSTEM S".....	8
MINIFIX - Ø15 mm.....	9
MEDIAL FIX - Ø25 mm.....	10
MEDIA LUNA & KNOCK DOWN FITTING 512 - Ø30 mm	11-12
MINI LUNA CONNECTOR - Ø30 mm.....	13
METAL WASHERS - Ø25, 30 & 35 mm.....	14
FUERTE - Ø35 mm.....	15-17
JUMBO FIX - Ø35 mm.....	18
"MAMUT" ZAMAK KD-SYSTEM – Ø 35 MM - DOUBLE SPIRALED.....	19
MAXI LUNA - Ø40 mm.....	20
SNAPFIX & WORKTOP CONNECTOR.....	21
WORKTOP CONNECTOR "FIX-A-LOT".....	22-23
METAL CONNECTING SCREWS F/Ø5 & Ø8 mm BORE.....	24-25
CORNER BLOCKS & CORNERFIX.....	25-27
MITRE DOWELS & EXPANSION DOWELS.....	28
SNAP FITTINGS "214", "DIVA" & "BONE".....	28-31
CLIP CONNECTOR "DOVETAIL" & "HALF-TAIL".....	32-33
TWIST & TIGHT - CHAIR ASSEMBLY.....	34
CLIP PANEL CONNECTORS & SUSPENDED HANGER FITTINGS.....	34-36



CONTENTS

CABINET HANGER "CLIFF"	37	
PANEL CLICK BUTTON CONNECTOR.....	38	
MULTI CLIP & REAR PANEL CONNECTORS.....	39	
STABILIZER, KEYHOLE FIXTURES & BED FITTINGS.....	40-42	
JOINT CONNECTORS "ZIMAK" & "NIGIRI".....	43-44	
SLIDE-ON CONNECTORS "TEMARI" & "MAKI".....	45-46	
ROW CONNECTOR, BEECH WOOD DOWELS & BISCUITS.....	47	
KEA SCREW-IN BUSHINGS.....	48-51	
LEG CORNER BRACKETS, HANGERBOLTS, WASHERS & NUTS.....	52-56	
LOCATING PINS	57	
FIFTEEN -, MUSHROOM-, INSEX SCREWS & BOLTS.....	58-59	
INSEX COLLARS & HEX KEYS.....	60	
CROSS DOWELS.....	61	
CONFIRMAT SCREWS.....	62	
WOOD SCREWS & DOUBLE POINTED STEEL NAILS.....	63	
BRASS & STEEL COMBIFIX HEADS.....	64-67	
BUSHINGS.....	68-72	
KD SYSTEM "INVISIO".....	73-78	
COMPRESSION DOWELS & QUICK DOWEL CABINET CONNECTOR.....	79	

KNOCK DOWN "SYSTEM S"

Is an improvement of the conventional eccentric cam fittings!

Instead of an eccentric cam house in zamak we have developed a steel barrel with a pointed grub screw, which is being wedged below the neck of the dowel ensuring a permanent grip.

Replaces all 15 mm diameter eccentric cam fittings without change of drilling, as the barrel requires the normal 34 mm bore distance from the edge. Can also be supplied for 24 mm and 44 mm distance.

All parts are made of high quality steel or stainless steel for out door use. The material warrants unsurpassed anchoring properties and eliminates the risk of breakage of the fitting.



KNOCK DOWN "SYSTEM S"

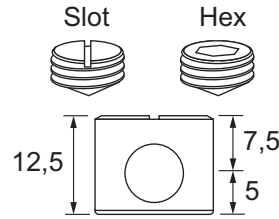
"SYSTEM S" 1512 – F/16 MM PANELS

Material
Steel or Stainless Steel

Size
Cylinder Ø15 x 12,5 mm
Grub screw M10 x 6 mm

Finish
Bronze Plated (BRZ), Bright Zinc Plated (BZP),
Stainless Steel (SS) Natural

	BRZ	BZP
Cylinder	#11.03.500	#11.03.505
Grub screw w/slot	#11.03.490	#11.03.494
Grub screw w/hex	#11.03.491	#11.03.496



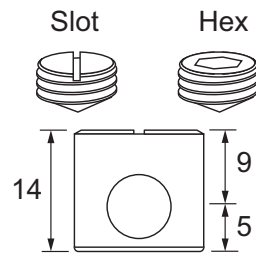
"SYSTEM S" 1514 – F/19 MM PANELS

Material
Steel or Stainless Steel

Size
Cylinder Ø15 x 14 mm
Grub screw M10 x 7,5 mm

Finish
Bronze Plated (BRZ), Bright Zinc Plated (BZP),
Stainless Steel (SS) Natural

	BRZ	BZP
Cylinder	#11.03.516	#11.03.582
Grub screw w/slot	#11.03.521	#11.03.592
Grub screw w/hex	#11.03.520	#11.03.593



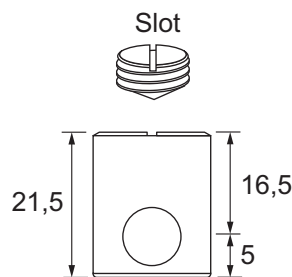
"SYSTEM S" 1522 – F/25-28 MM PANELS

Material
Steel

Size
Cylinder Ø15 x 21,5 mm
Grub screw M10 x 15 mm

Finish
Bronze Plated (BRZ)

Cylinder	#11.03.518
Grub screw	#11.03.495



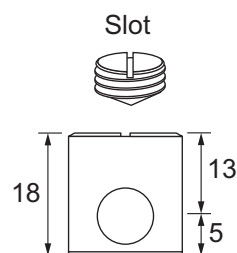
"SYSTEM S" 1518 - HEAVY DUTY - F/22-25 MM PANELS - M8 DOWELS

Material
Steel

Size
Cylinder Ø15 x 18 mm
Grub screw M10 x 8,5 mm

Finish
Bronze Plated (BRZ)

Cylinder	#11.03.450
Grub screw	#11.03.460

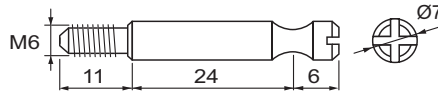


STEEL DOWELS F/KD-SYSTEM S

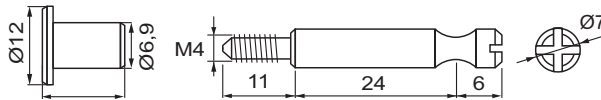
- high quality furniture fittings



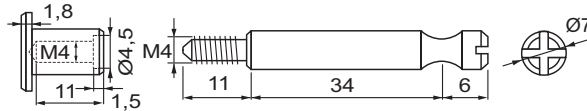
Dowel #11.03.524



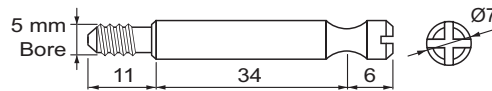
Dowel #11.03.523
Cap #11.03.532



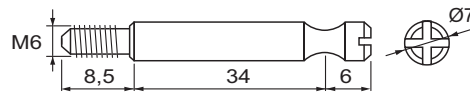
Dowel #11.03.531
Cap #11.03.532



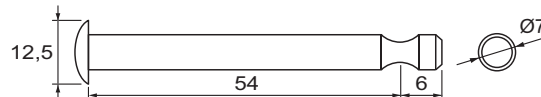
Dowel #11.03.530



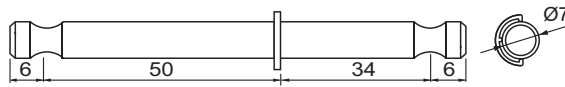
Dowel #11.03.525



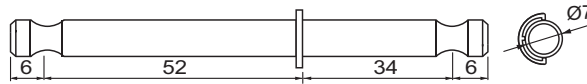
End dowel
Dowel #11.03.534



Double dowel
for 16 mm panel
Dowel #11.03.539



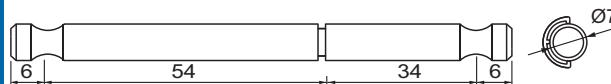
Double dowel
for 19 mm panel
Dowel #11.03.537



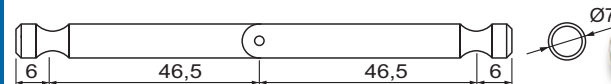
Double dowel
for 20 mm panel
Dowel #11.03.535



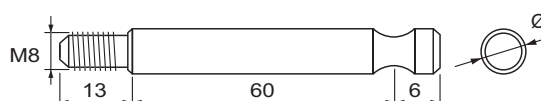
Double dowel
no ring
for 20 mm panel
Dowel #11.03.536



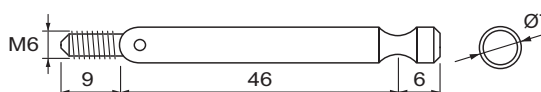
Hinged double
dowel
Dowel #11.03.570



Heavy duty dowel
for housing S1518
Dowel #11.03.470



Mitre dowel
Dowel #11.03.575



PLASTIC COVER CAPS

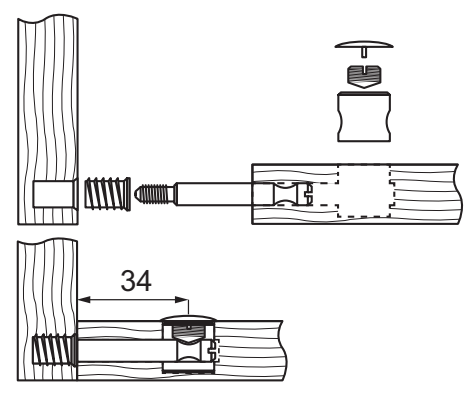
Material
Nylon

Size
Ø17 mm

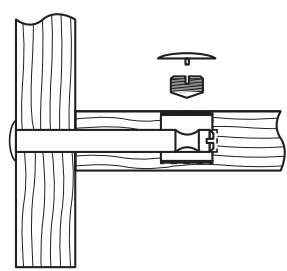
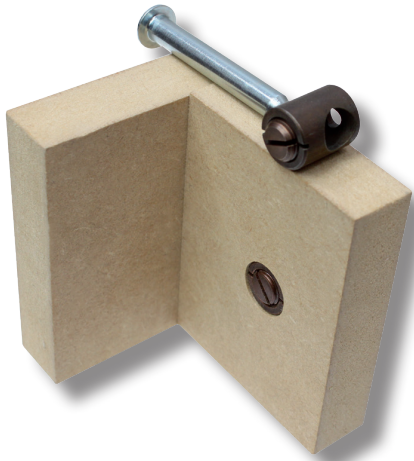
Brown	# 11.03.551
Beige	# 11.03.553
White	# 11.03.554
Oak	# 11.03.555
Black	# 11.03.556
Light grey RAL 7035	# 11.03.559



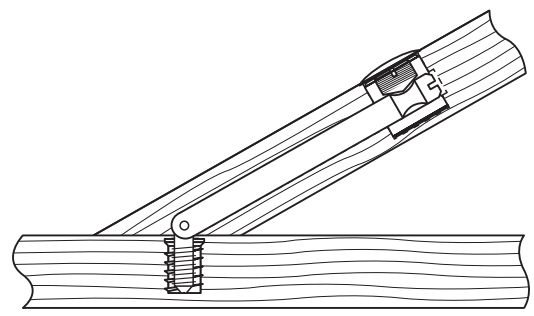
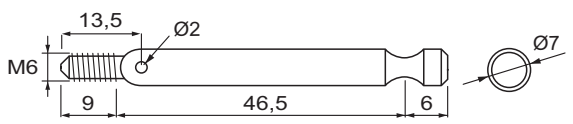
STEEL DOWEL, M6 & SCREW IN BUSHING



STEEL END DOWEL, M6 & SCREW IN BUSHING

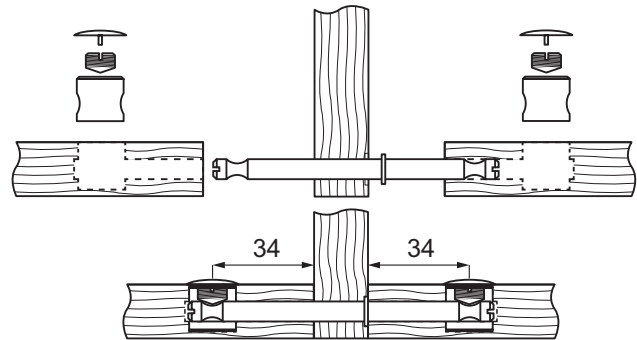
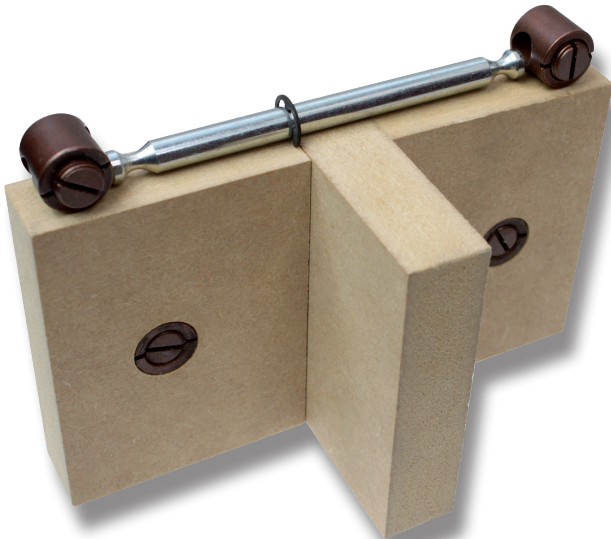


M6 HINGED DOWEL F/MITRE JOINTS #11.03.575

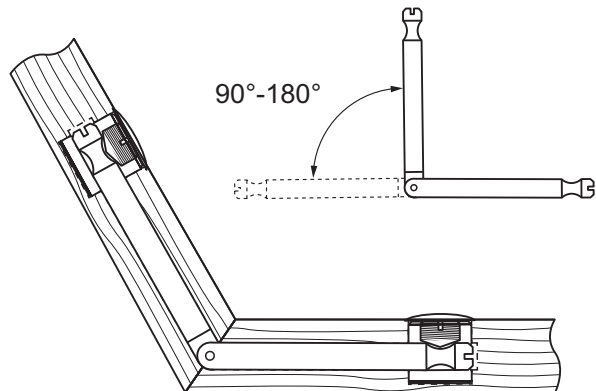
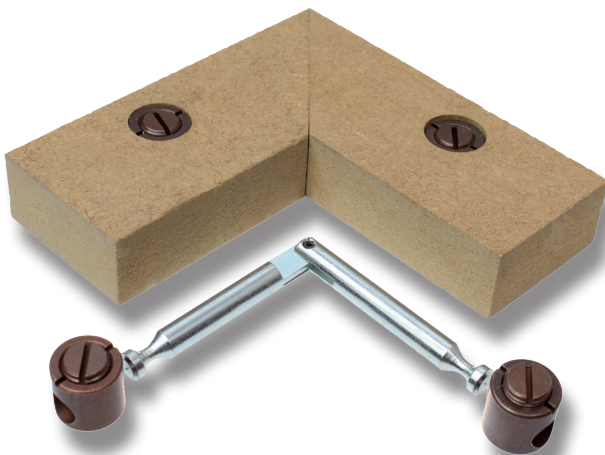


DOUBLE STEEL DOWEL F/16, 19, 20 MM CENTRE PANEL

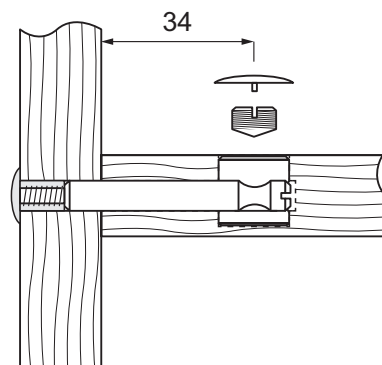
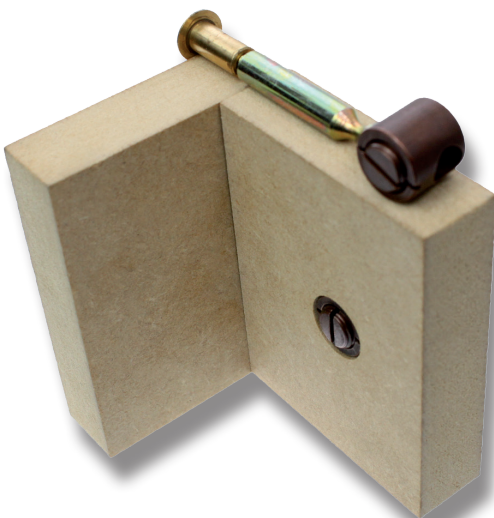
- high quality furniture fittings



DOUBLE STEEL DOWEL HINGED # 11.03.570 F/MITRE JOINTS AT ANY ANGLE FROM 90° TO 180°



ADJUSTABLE END DOWEL # 11.03.531 & CAP # 11.03.532



"MINI" KNOCK DOWN "SYSTEM S"

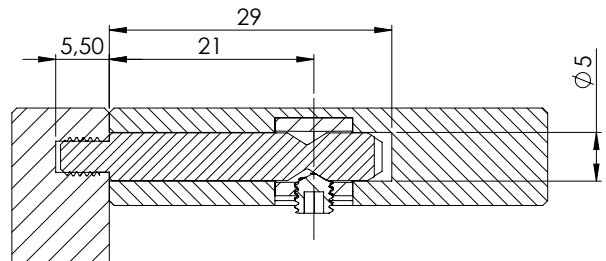


APPLICABLE FOR
PANELS DOWN TO 10 MM.



"MINI" KNOCK DOWN "SYSTEM S"

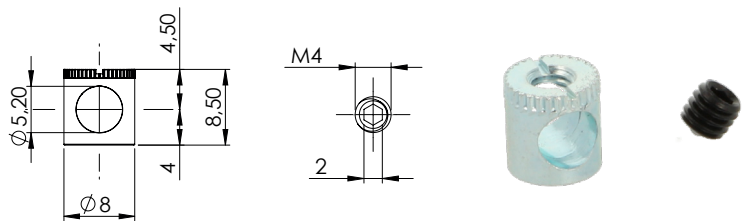
- All parts made of steel
- Applicable for panels down to 10 mm
- Vibration resistant
- Permanent strong grip
- 90 degrees connection



CYLINDER & GRUB SCREW

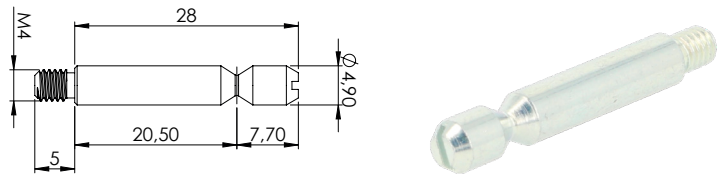
Cylinder:
Material: Steel, bright zinc plated
Size: Ø8 x 8,5mm Item No.: #11.03.480

Grub screw:
Material: Steel, black oxidized
Size: M4 x 4mm, 2mm hex Item No.: #11.03.481



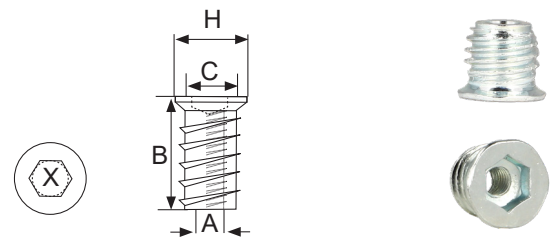
DOWEL PIN

Material: Steel, bright zinc plated
Size: M4 x 20,5mm Item No.: #11.03.482



SCREW IN BUSHING »M«

Material		Steel, bright zinc plated			
Type		Screw in by use of hex key. With countersunk collar			
A	B	C	X = Hex	H = Head	Item No.
M4	8 mm	Ø8,7 mm	6 X 3 mm	Ø12 mm	# 12.10.250
M4	10 mm	Ø8,7mm	6 X 3 mm	Ø12 mm	# 12.10.251



MINIFIX - Ø15 MM

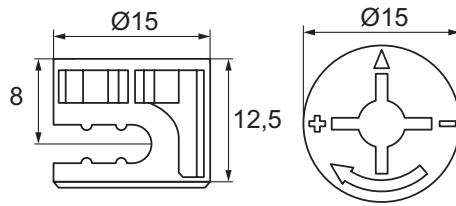
- high quality furniture fittings



CAM F/16 MM PANEL

Material
Zamak, Raw

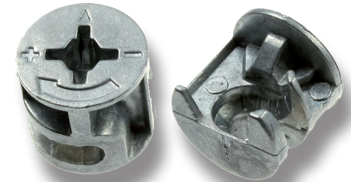
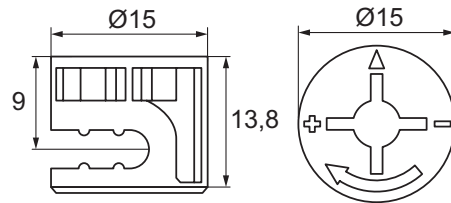
Item No. # 11.03.260



CAM F/18 MM PANEL

Material
Zamak, Raw

Item No. # 11.03.270

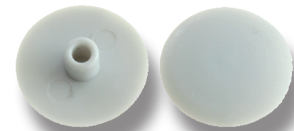
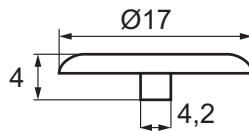


COVERS F/MINIFIX - Ø15 MM

NYLON COVER CAP F/MINIFIX

Material
Nylon

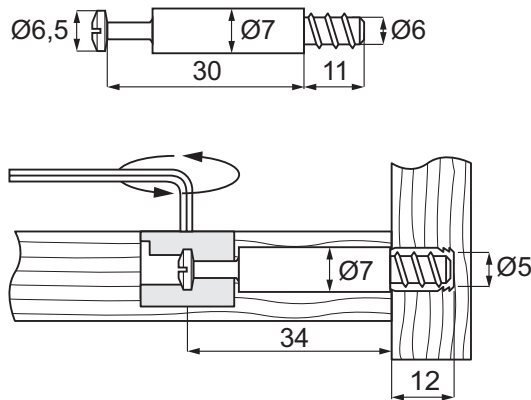
Black #11.03.244
Dark brown #11.03.245
White #11.03.246
Light oak 148 #11.03.247
Beige 147 #11.03.248
Light grey #11.03.249



STEEL DOWEL - EURO THREAD Ø5 MM BORING F/MINIFIX - Ø15 MM

Material
Steel, Bright Zinc Plated

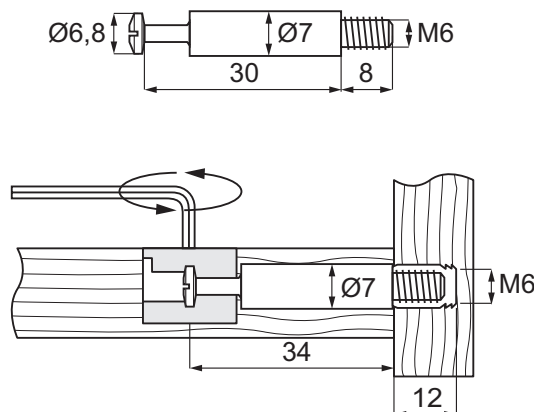
Item No. # 11.03.333



STEEL DOWEL M6 F/MINIFIX - Ø15 MM

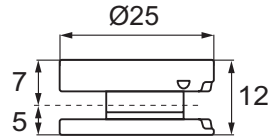
Material
Steel, Bright Zinc Plated

Item No. # 11.03.342



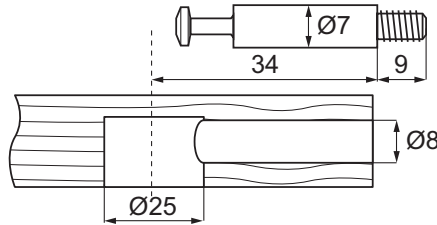
ZAMAK HOUSING

Item No. # 11.03.365



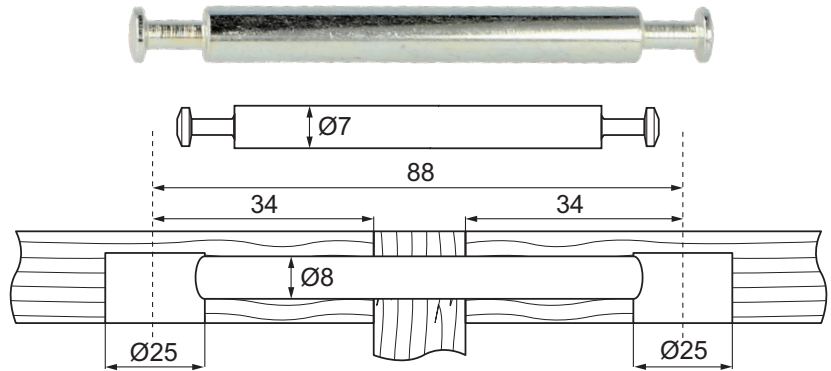
DOWEL STEEL BZP

Item No. # 11.03.380



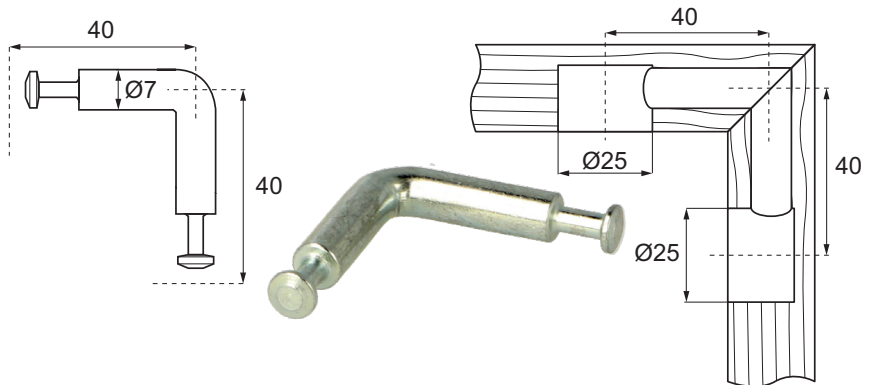
DOUBLE DOWEL STEEL BZP

Item No. # 11.03.385



ANGLED DOWEL STEEL BZP

Item No. # 11.03.390



PLASTIC COVER CAP

Brown - Side grip

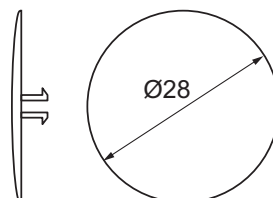
Item No. # 11.03.376

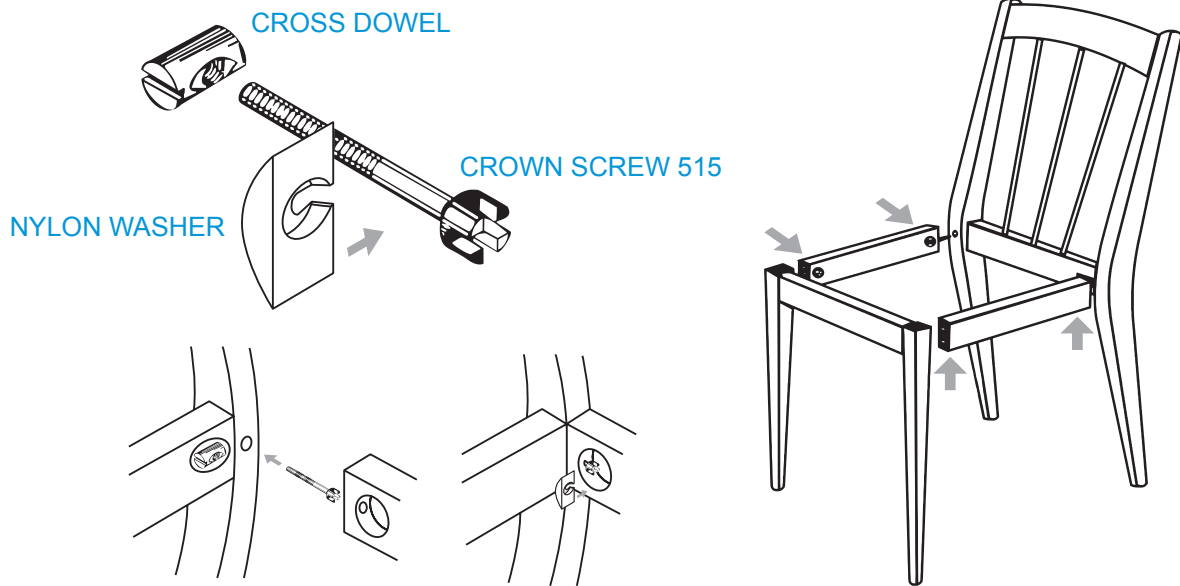


ZAMAK COVER CAP

Material
Zamak, nickel plated

Item No. # 11.03.375

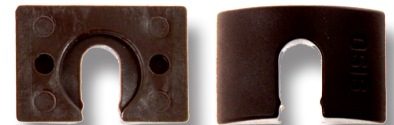
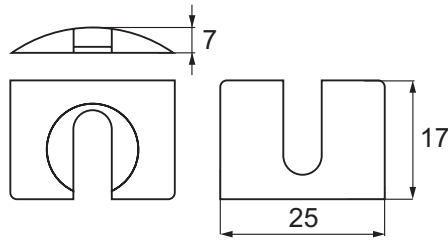




WASHER BROWN

Material
Plastic

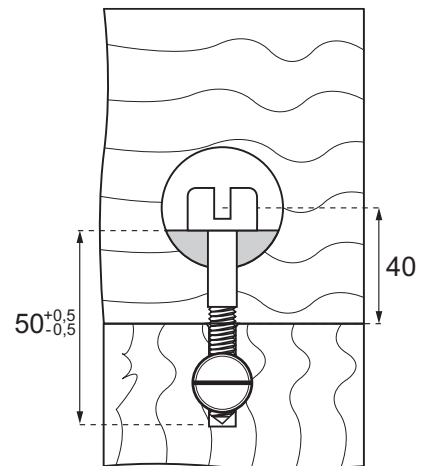
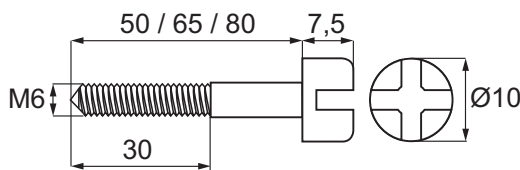
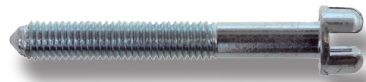
Item No. # 11.04.239



CROWN SCREW POINTED

Material
Steel, zinc plated

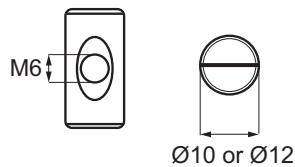
Item No.
M6 x 50 mm # 11.04.028
M6 x 65 mm # 11.04.030
M6 x 80 mm # 11.04.035



CROSS DOWEL

Material
Steel, zinc plated

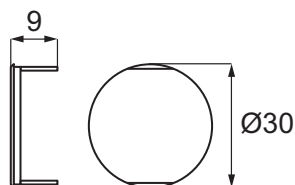
All dimensions
and Item No. see page 50



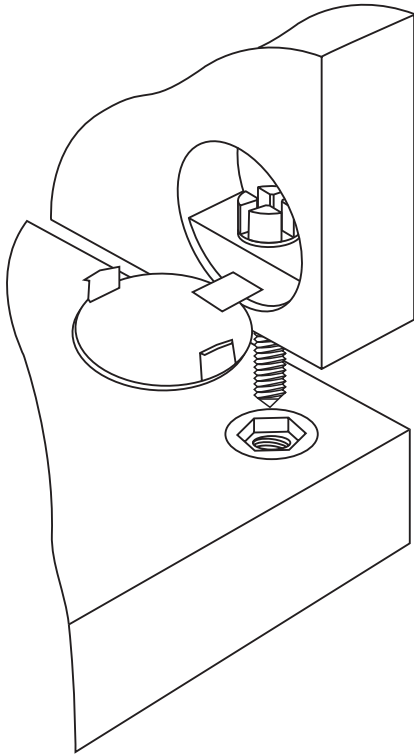
COVER CAP

Material
Plastic

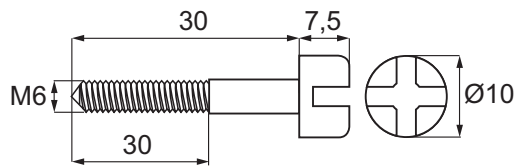
Item No.
Beige # 11.04.244
Brown # 11.04.245
White # 11.04.246



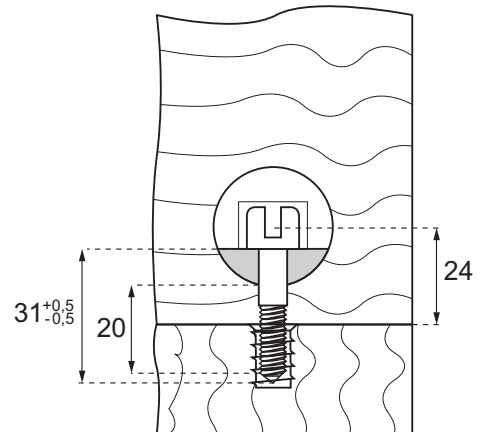
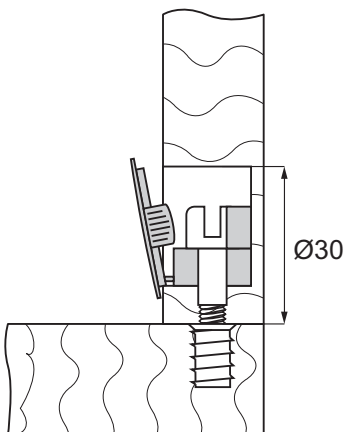
KNOCK DOWN FITTING 512 - Ø30 MM



CROWN SCREW POINTED BZP
 Item No. # 11.04.020
 M6 x 30

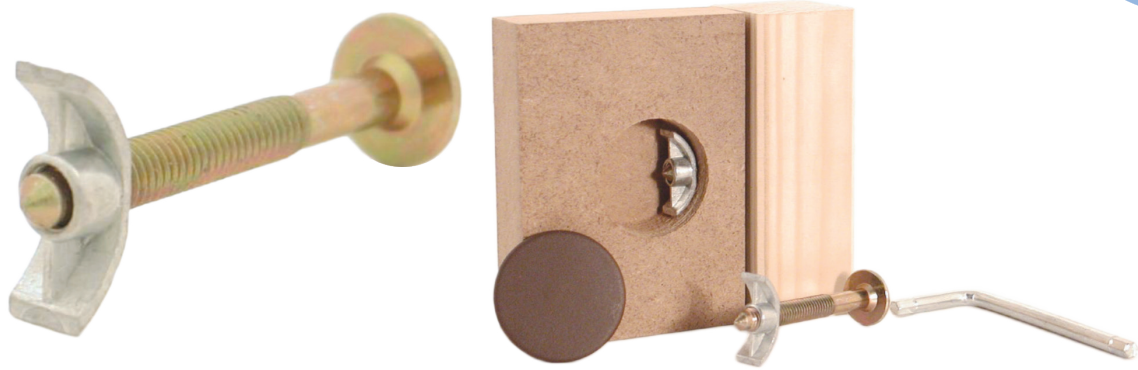


PLASTIC HOUSE
 Item No.
 Brown # 11.04.010
 Grey # 11.04.015
 Black # 11.04.016



MINI LUNA CONNECTOR - Ø30 MM

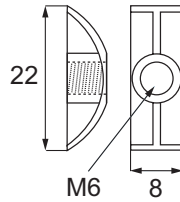
- high quality furniture fittings



MINI LUNA WASHER

Material
Zamak, Raw

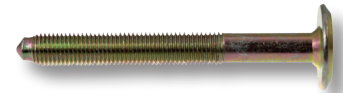
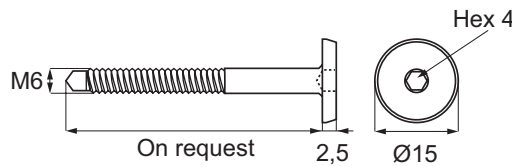
Item No. # 11.04.232



FIFTEEN SCREW

Material
Steel YZP

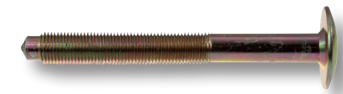
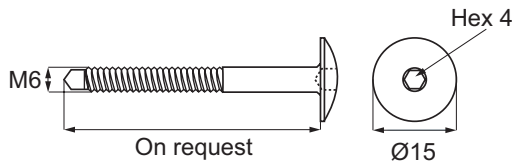
Sizes
M6 x 25 up to 120 mm with 5 mm interval



MUSHROOM SCREW

Material
Steel YZP

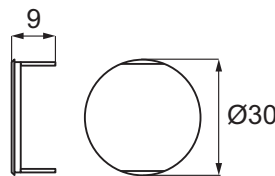
Sizes
M6 x 25 up to 100 mm with 5 mm interval



COVER CAP

Material
Plastic

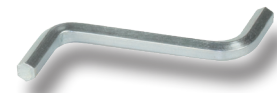
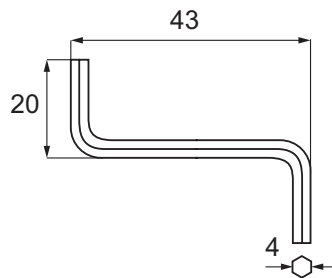
Item No.
Beige # 11.04.244
Brown # 11.04.245
White # 11.04.246



Z-SHAPED ALLEN KEY 4 mm

Material
Hardened BZP

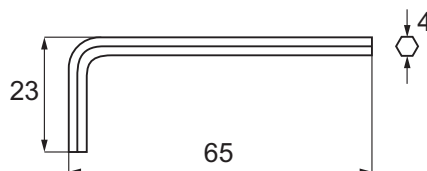
Item No. # 12.06.035



L-SHAPED ALLEN KEY 4 mm

Material
Hardened black

Item No. # 12.06.010



COVER CAP

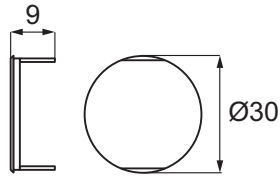
Material
Plastic

Item No.

Beige, Ø30 mm bore # 11.04.244

Brown, Ø30 mm bore # 11.04.245

White, Ø30 mm bore # 11.04.246



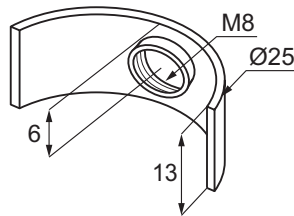
METAL WASHER

W/internal thread M8, Ø25 mm bore

Material
Steel, BZP

Item No.

11.04.210



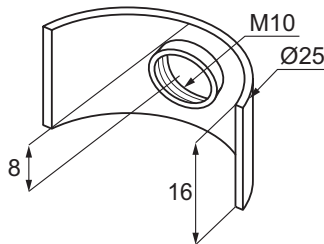
METAL WASHER

W/internal thread M10, Ø25 mm bore

Material
Steel, BZP

Item No.

11.04.215



METAL WASHER

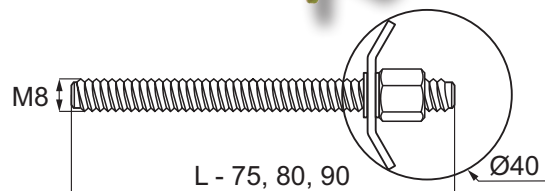
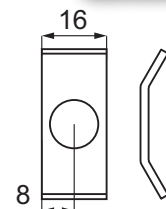
W/premounted hexagonal nut M8, Ø40 mm bore

Material
Steel

Item No.

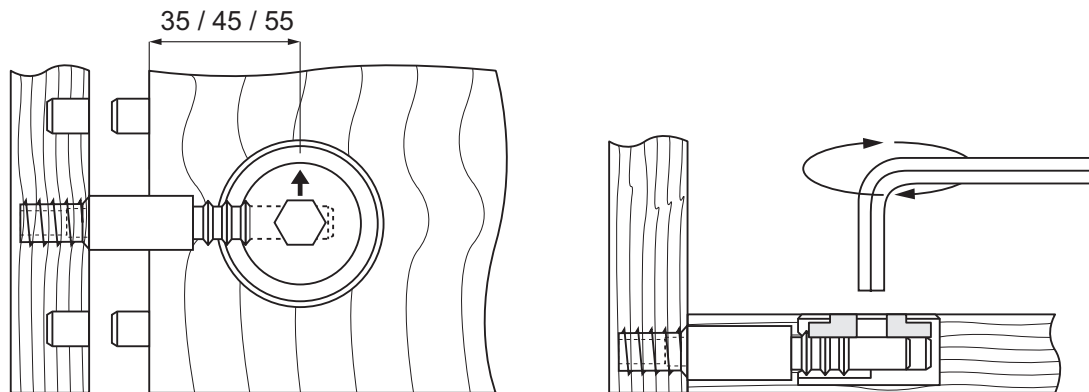
11.04.242

Threaded bolt to be bought separately



"FUERTE" is a heavy duty connector particularly suitable for strong and secure assembly of beds, table frames, panels and cabinets. The housing with its steel worm gear and hardened steel dowel ensures a permanent grip and continual tension.

The system is available for 90° and 180° connections with drilling distances 35, 45 and 55 mm.



HOUSING

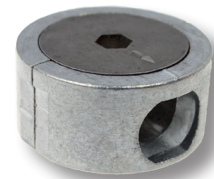
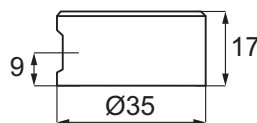
Material

Housing: zamak, raw
Worm gear: hardened steel

Size

Ø35 x 17 mm
Hex hole 6 mm

Item No. # 11.03.610



DOWEL

Overall length 64 mm

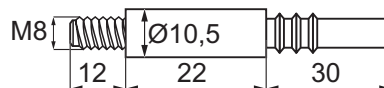
Material

Hardened steel

Sizes

M8 x 64 mm
Drill distance 35 mm

Item No. # 11.03.620



DOWEL

Overall length 74 mm

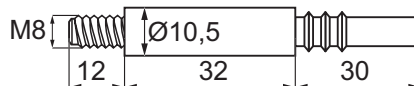
Material

Hardened steel

Sizes

M8 x 74 mm
Drill distance 45 mm

Item No. # 11.03.621



DOWEL

Overall length 84 mm

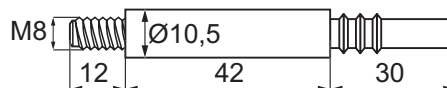
Material

Hardened steel

Sizes

M8 x 84 mm
Drill distance 55 mm

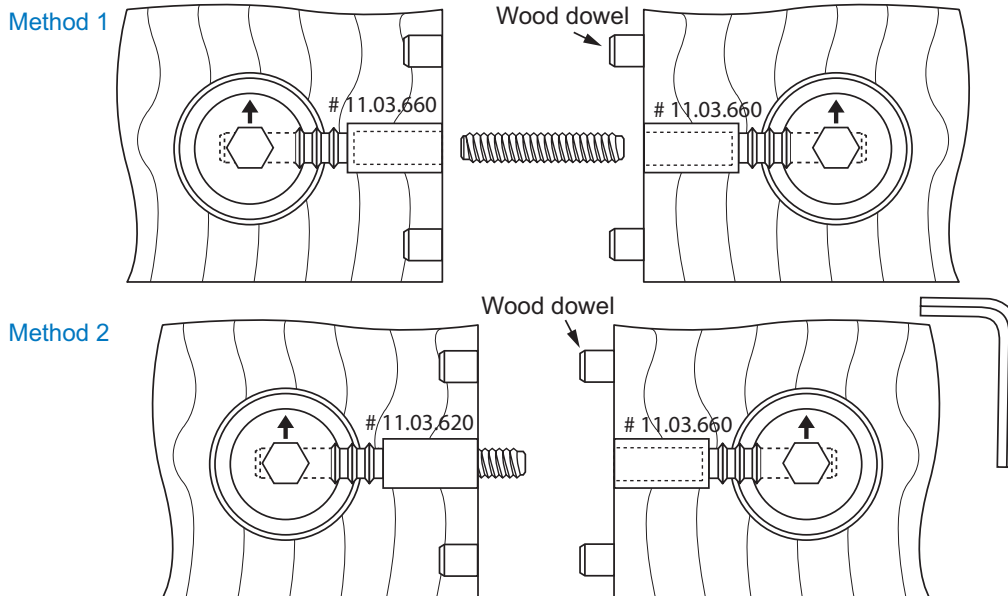
Item No. # 11.03.625



"FUERTE" KD-SYSTEM - Ø35 MM - 180°

The 180° connection is ideal for partition walls, kitchen table tops etc.

By use of a "Female" dowel combined with a standard "Male" dowel or 2 female dowels connected with a threaded bolt of any length, a 180° connection is possible.



HOUSING

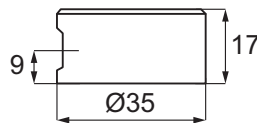
Material

Housing: zamak, raw
Worm gear: hardened steel

Sizes

Ø35 x 17 mm
Hex hole 6 mm

Item No. # 11.03.610



DOWEL

Overall length 64 mm

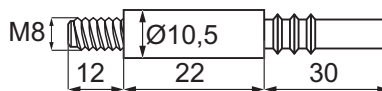
Material

Hardened steel

Sizes

M8 x 64 mm
Drill distance 35 mm

Item No. # 11.03.620



DOWEL

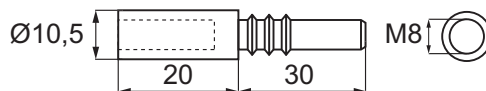
Material

Steel, BZP

Sizes

Female thread M8
Standard length 52 mm

Item No. # 11.03.660



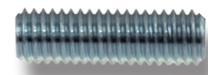
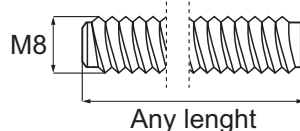
THREADED BOLT No. 1262

Material

Steel

Sizes

M8 x Any length

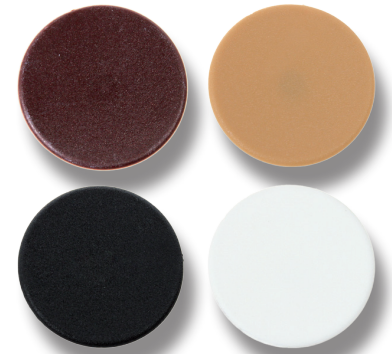
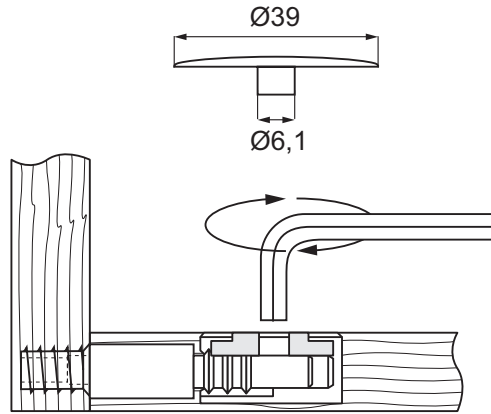


**COVER CAPS W/CENTRE PIN
WHEN HOUSING IS FLUSH
MOUNTED**

Material
Nylon

Size
Ø39 mm
Pin Ø6,1 mm

Item No.
Brown # 11.03.641
Beige # 11.03.642
Black # 11.03.643
White # 11.03.644

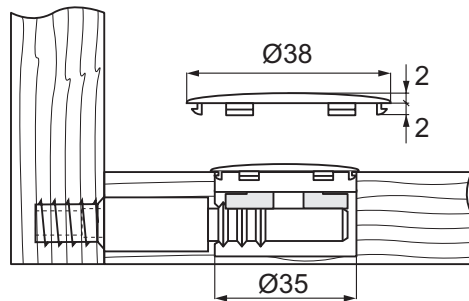


COVER CAPS W/SIDE GRIP

Material
Nylon

Size
Overall Ø38 mm
Inner Ø35 mm

Item No.
Brown # 11.03.640

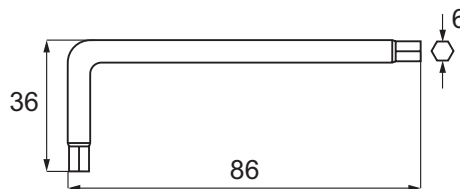


L-SHAPED 6 MM HEX KEY

Material
Hardened steel, BZP

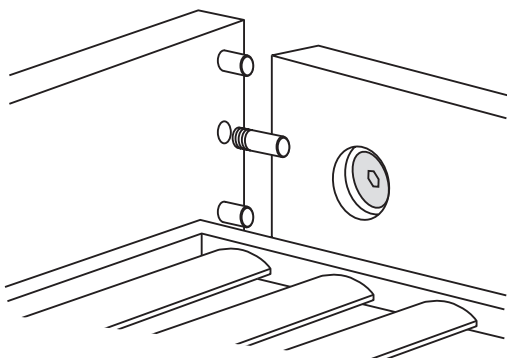
Size
36 x 86 mm
Hex 6 mm

Item No. # 11.03.650

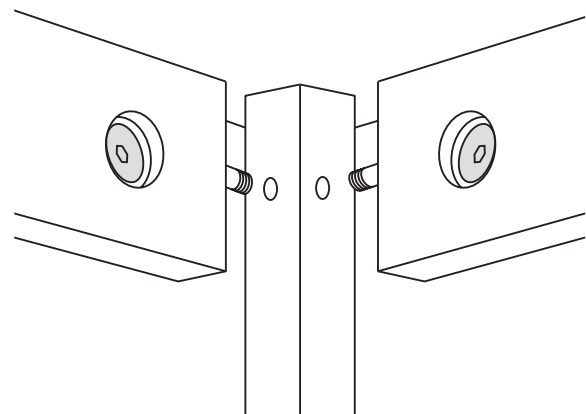


MOUNTING EXAMPLES

BED



TABLE

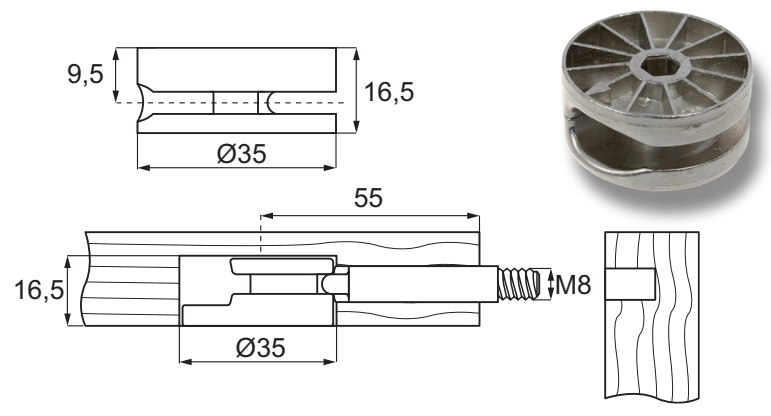


JUMBO FIX - Ø35 MM

HOUSING Ø35 MM

Material
Zamak, raw

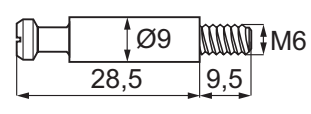
Item No. # 11.03.400



DOWEL M6

Material
Steel, BZP
Size
M6 x 28,5 mm
Drill
35 mm

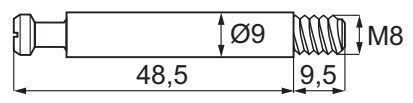
Item No. # 11.03.408



DOWEL M8

Material
Steel, BZP
Size
M8 x 48,5 mm
Drill
35 mm

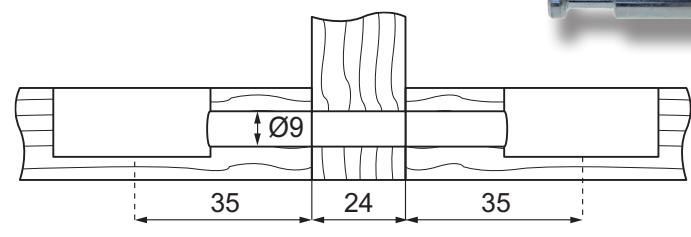
Item No. # 11.03.410



DOUBLE DOWEL

Material
Steel, BZP

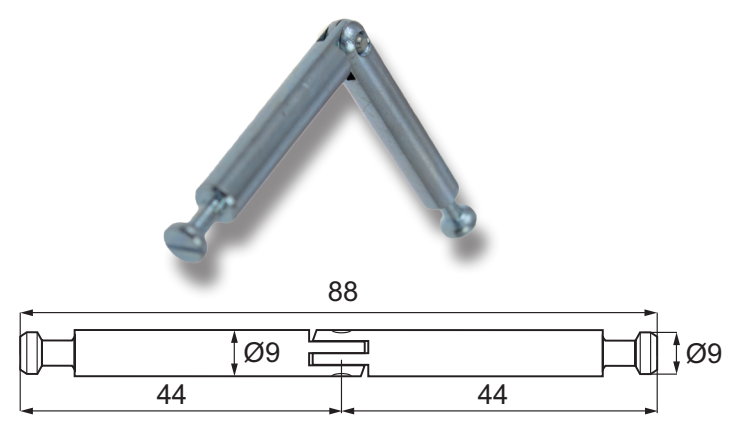
Item No. # 11.03.415



HINGED DOUBLE DOWEL

Material
Steel, BZP

Item No. # 11.03.420



"MAMUT"

ZAMAK KD-SYSTEM – Ø 35 MM - DOUBLE SPIRALED

- high quality furniture fittings

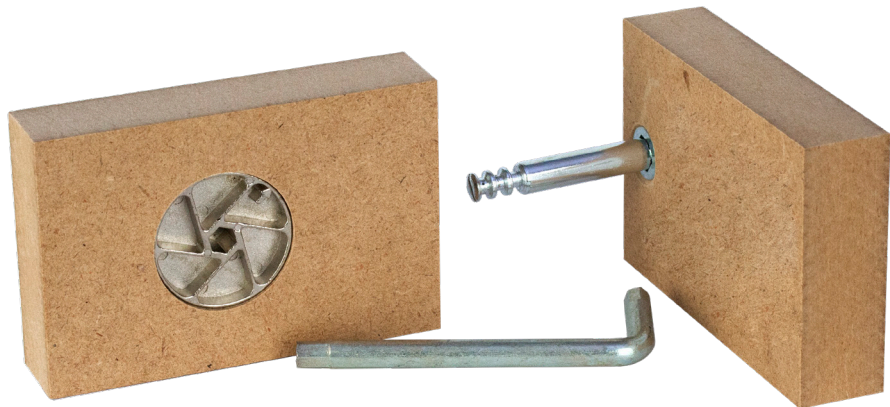
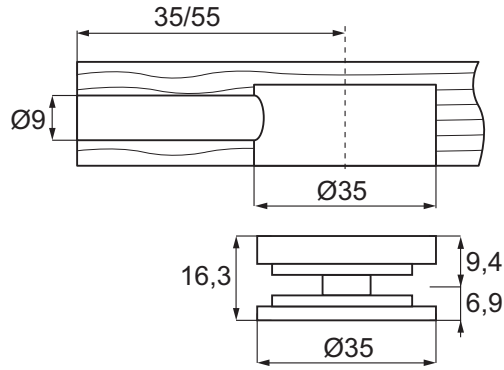
HOUSING Ø35MM

Double spiraled housing for extra strength

Material
Zamak, raw

Item No. # 11.03.430

(Not for sale or re-export to Spain, Portugal, France, UK, Germany, Italy & Turkey)

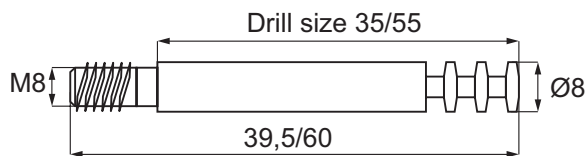


STEEL DOWEL M8

Material
Steel, bright zinc plated

Item No.
M8 x 39,5 mm
(Drill 35mm) # 11.03.443

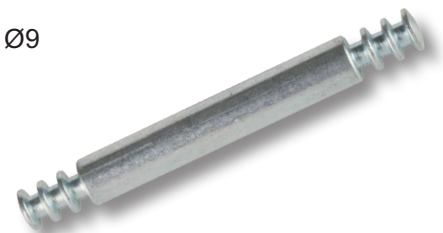
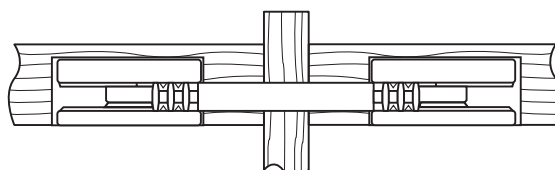
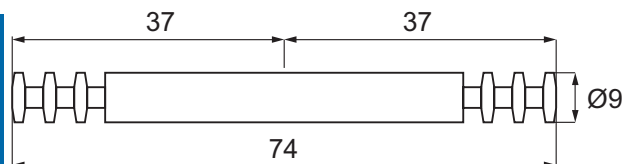
M8 x 60 mm
(Drill 55mm) # 11.03.445



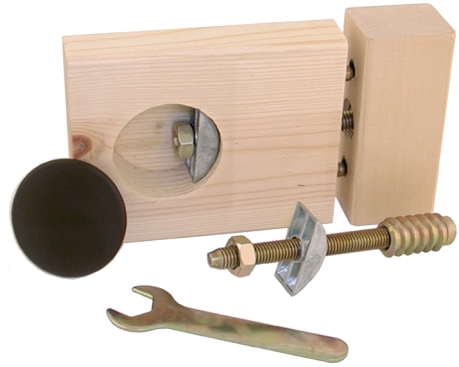
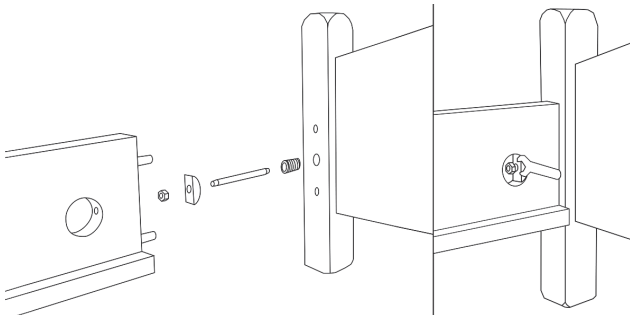
DOUBLE DOWEL

Material
Steel, bright zinc plated

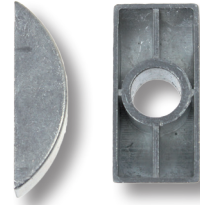
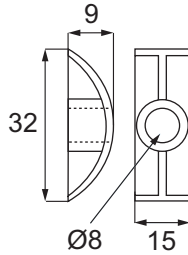
Item No.
74 mm
(Drill 88-96mm) # 11.03.448



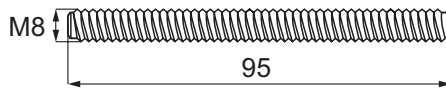
MAXI LUNA - Ø40 MM



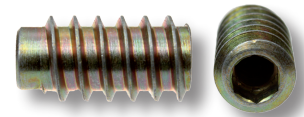
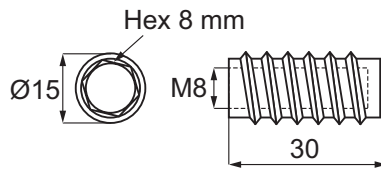
MAXI LUNA WASHER
 Bore Ø40 mm
 Hole Ø8 mm
Material
 Zamak, Raw
Item No. # 11.04.230



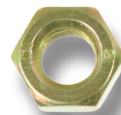
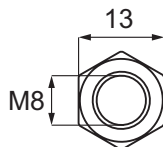
THREADED BOLT Coned Rnds
Material
 Steel, YZP
Sizes
 M8 x 95 mm
Item No. # 12.08.647



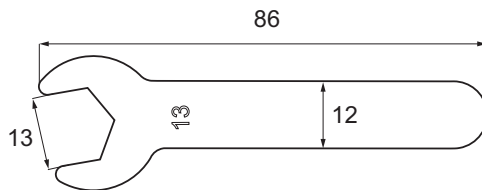
SCREW IN BUSHING
 BL-SK with closed end
Material
 Steel, YZP
Sizes
 Ø15 x M8x 30 mm
Item No. # 12.10.176



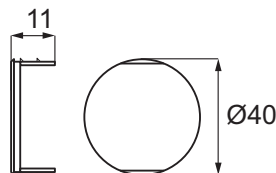
HEXAGONAL NUT DIN 934
Material
 Steel, BZP
Item No. # 12.12.016



SPANNER
 Open - Flat - M8/13 mm
Material
 Steel, BZP
Item No.
 Mild steel # 12.06.150
 Hardened steel # 12.06.155



COVER CAP
 Bore Ø40 mm
Material
 Plastic
Item No.
 Brown # 11.04.247
 White # 11.04.250
 Beige # 11.04.248



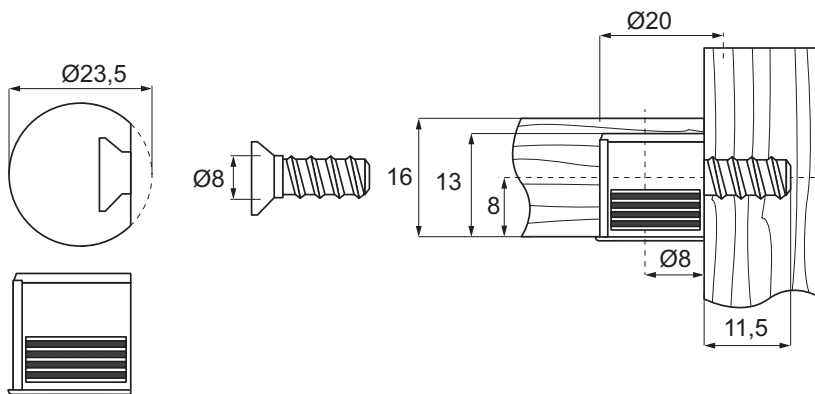
SNAPFIX "S"

SNAPFIX "S"

Item No.

White	# 11.04.529
Black	# 11.04.530
Beige	# 11.04.531
Brown	# 11.04.533

Special euro screws 6,3 x 11,5 mm BZP
w/large head Ø8/Ø10mm # 11.04.618



WORKTOP CONNECTOR

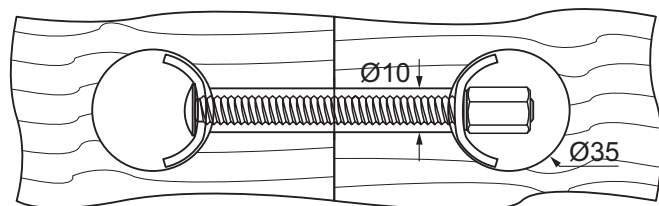
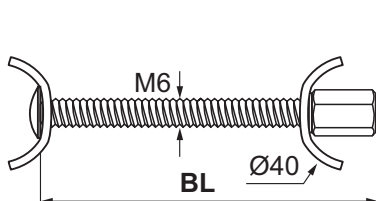
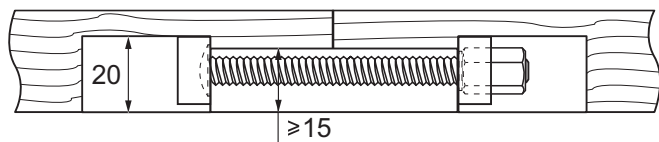
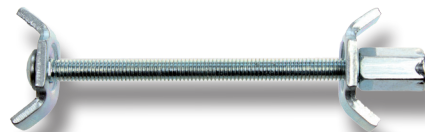
WORKTOP CONNECTOR

Material

Steel, bright zinc plated

Size

M6 x 65 mm	# 11.04.425
M6 x 100 mm	# 11.04.427
M6 x 150 mm	# 11.04.430
M6 x 200 mm	# 11.04.460

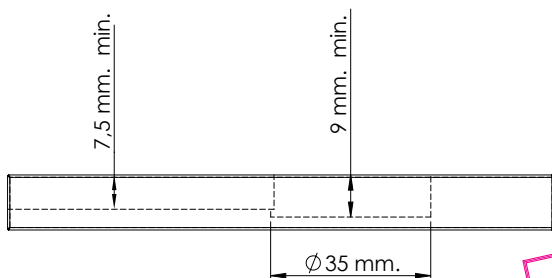


WORKTOP CONNECTOR "FIX-A-LOT"

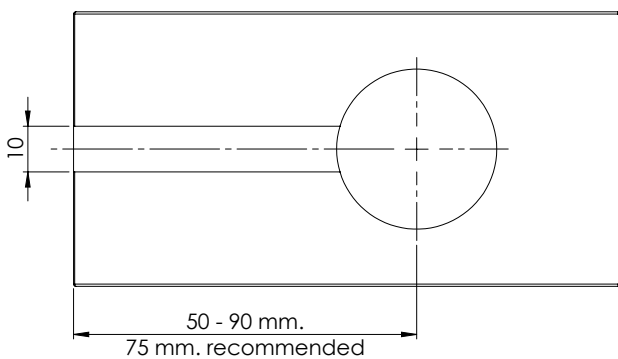
The Fix-A-Lot connector is a new practical and innovative solution that saves time and money in assembling work / counter tops and panels. The Fix-A-Lot is a particularly slim type connector, which is perfect for material as thin as 10 mm.

Features:

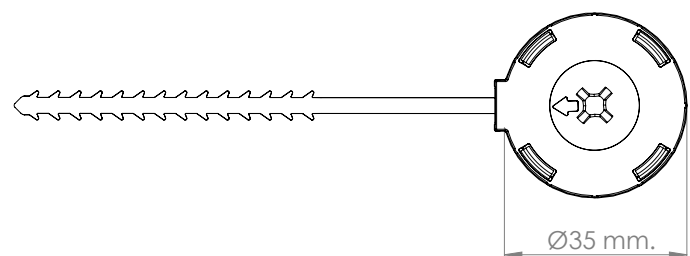
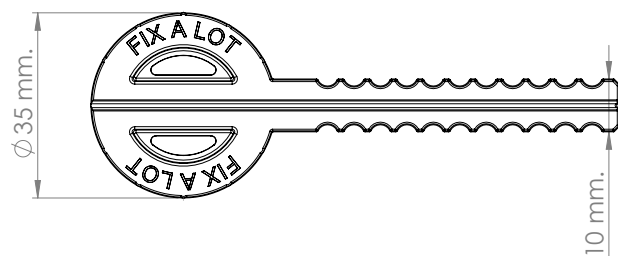
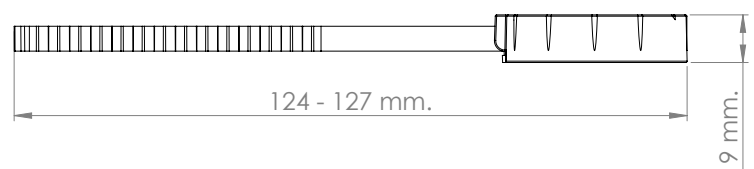
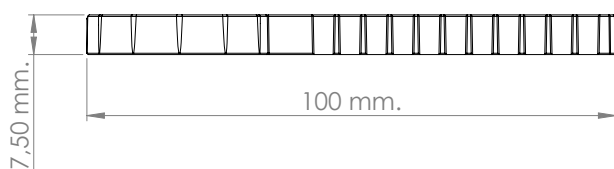
- F/min. 10 mm plates.
- May be inserted into the worktops before placing them in position on the kitchen cabinets.
- The length on the female part may be cut to size in case of wrong milling.
- Two installation ways depending on construction of the kitchen. "Push" if enough space or "Drop" if plates are installed up against a wall or high kitchen cabinet.
- Stays in the milling holes when inserted.
- Easy tightening by use of PH3 screw driver.



PATENTED



Material: POM – Grey
 Size: $\varnothing 35 \times 127 \times 9$ mm
 1 Set = 1 Male + 1 Female Part
 Item No.: # 11.04.470

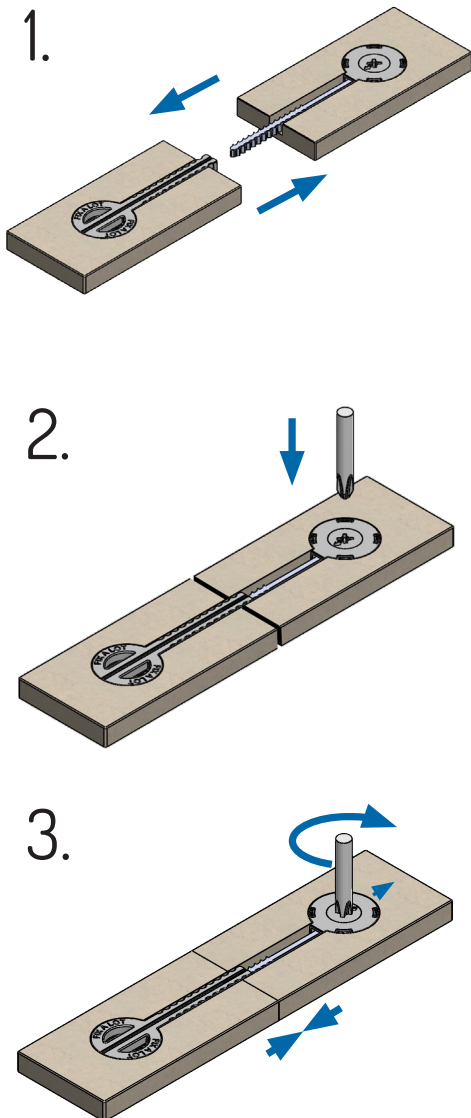


WORKTOP CONNECTOR "FIX-A-LOT"

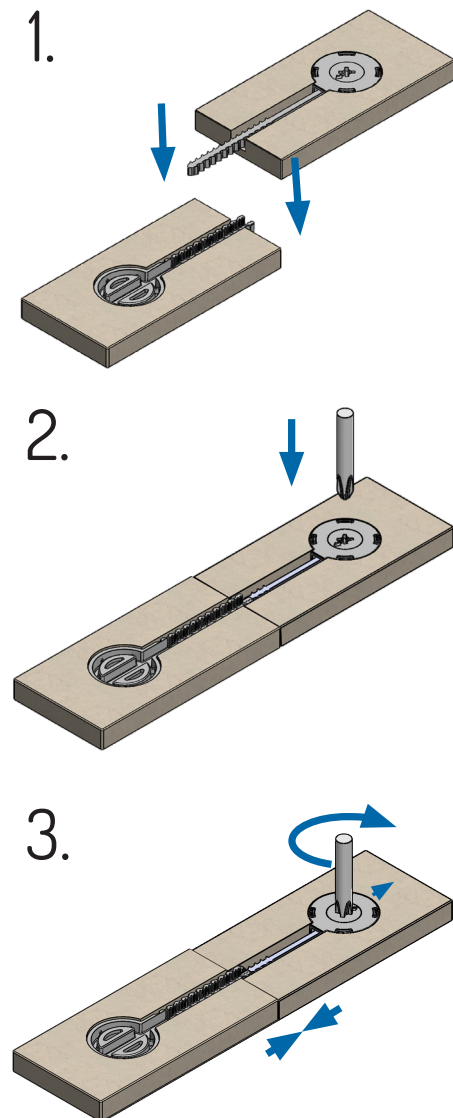
- high quality furniture fittings



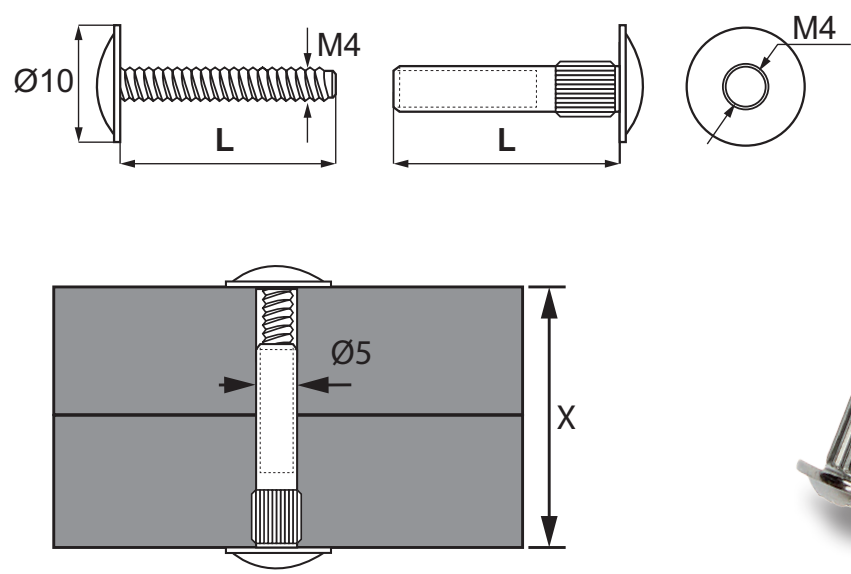
"PUSH"



"DROP"

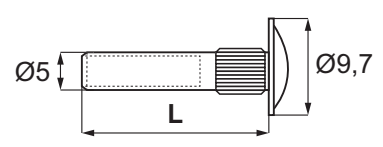


METAL CONNECTING SCREWS F/5 mm BORE

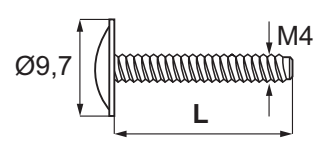


Panel thickness (X)	Screw "L"	Tube "L"	NPL	BPL	BRZ	BLK
20 - 30 mm	M4 x 14 mm	M4 x 20 mm	# 11.06.730	available upon request		
25 - 35 mm	M4 x 14 mm	M4 x 25 mm	# 11.06.735	available upon request		
27 - 37 mm	M4 x 14 mm	M4 x 27 mm	# 11.06.740	available upon request		
30 - 40 mm	M4 x 17 mm	M4 x 27/30 mm	# 11.06.750	# 11.06.751	# 11.06.752	# 11.06.753

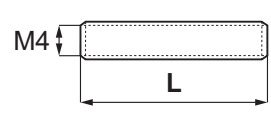
TUBE M4 X Ø5 SIZES
 L = 15, 20, 22, 25, 27, 30, 35, 40 mm
 L = 20 mm BPL # 11.06.709
 L = 27 mm BRZ # 11.06.713
 L = 30 mm BLK # 11.06.711



SCREW M4 SIZES
 L = 10, 14, 18, 22, 25, 30, 35 mm
 Upon request

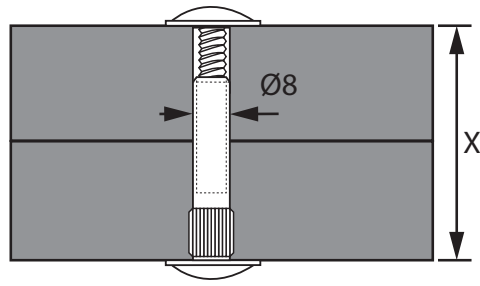
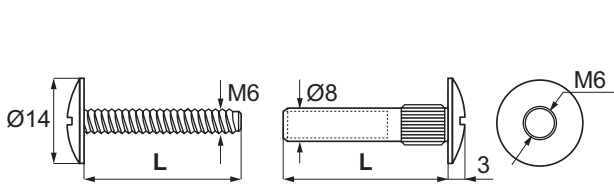


THREADED TUBE M4 X Ø5 MM
 Diam. x L = 15, 22, 25, 30, 45, 50 mm
Material
 Steel, yellow zinc plated
 L = 30 mm # 11.06.701
 Other sizes upon request



METAL CONNECTING SCREWS F/8 mm BORE

- high quality furniture fittings

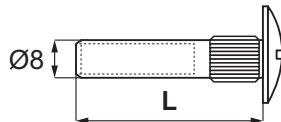


Panel thickness (X)	Screw "L"	Tube "L"	NPL	BPL	BRZ	BLK
25 - 33 mm	M6 x 14 mm	M6 x 25 mm	# 11.06.902	# 11.06.901	# 11.06.900	
31 - 39 mm	M6 x 14 mm	M6 x 30 mm	# 11.06.912	# 11.06.913	# 11.06.910	
31 - 45 mm	M6 x 20 mm	M6 x 30 mm	# 11.06.904	available upon request		
38 - 46 mm	M6 x 20 mm	M6 x 38 mm	# 11.06.920	# 11.06.922		

TUBE M6 SIZES

L = 12, 15, 20, 25, 28, 31, 38 mm

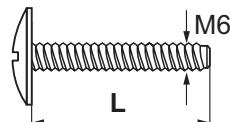
- L = 14 mm NPL # 11.06.905
- L = 14 mm BPL # 11.06.907
- L = 14 mm BRZ # 11.06.908
- L = 20 mm NPL # 11.06.906



SCREW M6 SIZES

L = 14, 20, 25, 30, 35, 45 mm

Upon request



THREADED TUBE M6 X Ø8 MM

L = 18, 20, 28 mm

Upon request



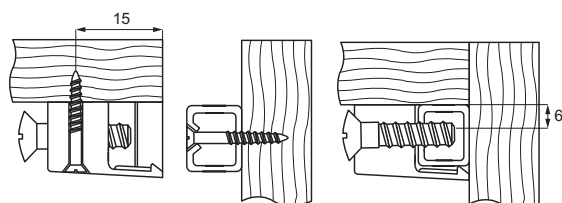
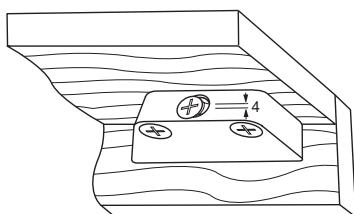
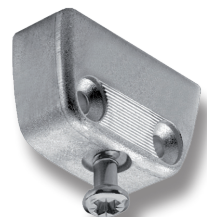
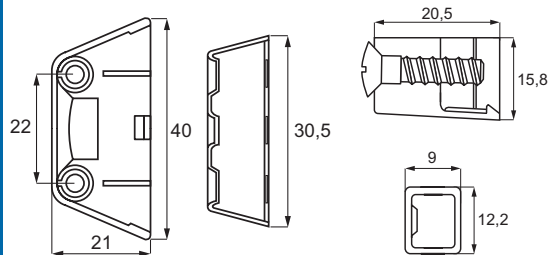
CORNER BLOCK "STRONG" - SCREW ON TYPE

CORNER BLOCK "STRONG" - SCREW ON TYPE

Material

- Zamak outer housing
- Premounted steel screw
- Steel part inner
- Apply 4 screws 4 mm

Item No. # 11.05.036



CORNERFIX NO. 100 W/COVER

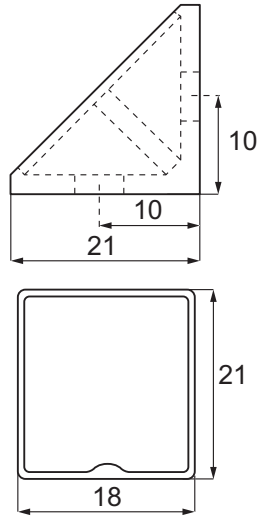
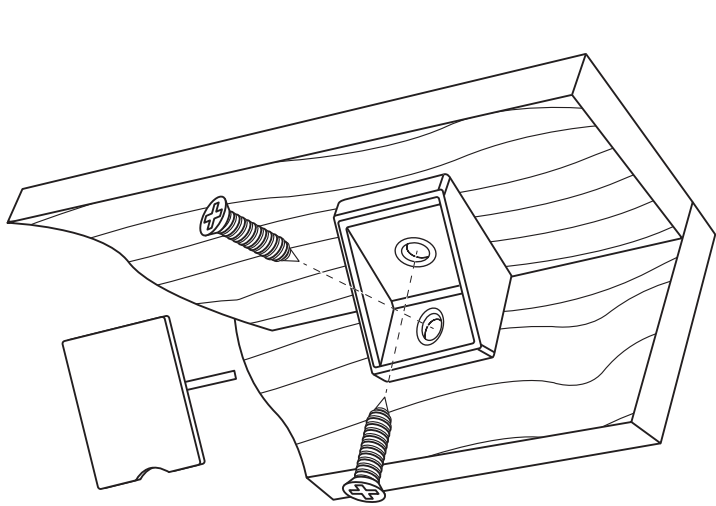
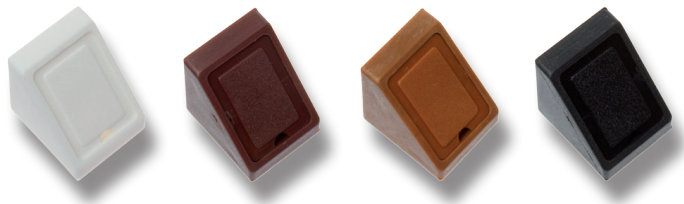
CORNERFIX NO. 100 W/COVER

Material
Plastic

Apply 2 screws 4 mm

Item No.

White	# 11.05.200
Dark brown (RAL 8017)	# 11.05.210
Light brown (RAL 8001)	# 11.05.220
Black	# 11.05.240



CORNERFIX NO. 200 W/COVER

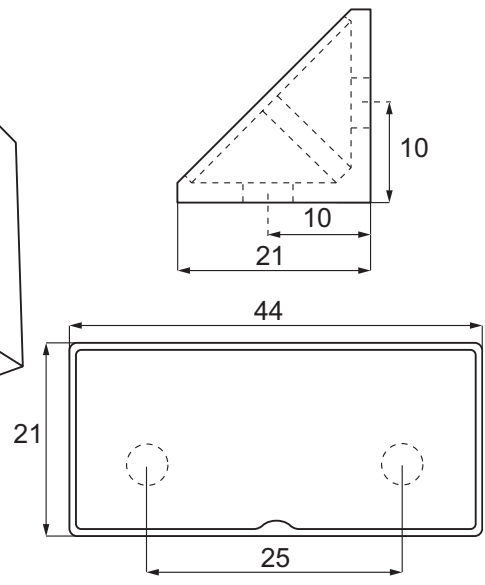
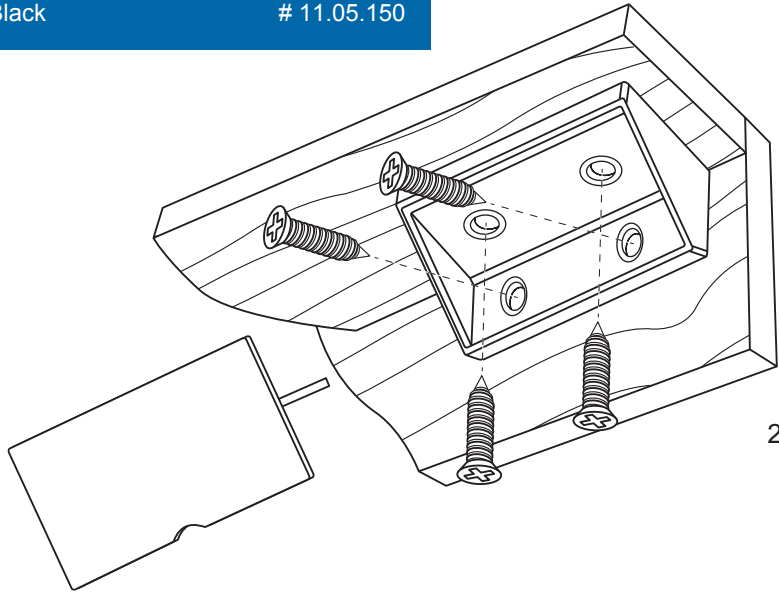
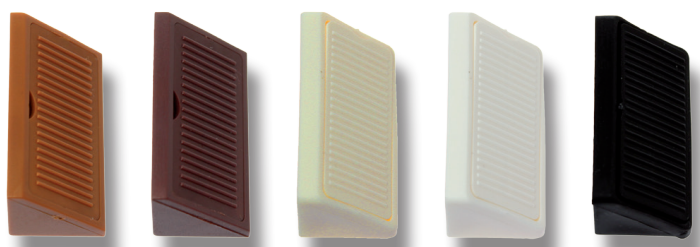
CORNERFIX NO. 200 W/COVER

Material
Plastic

Apply 4 screws 4 mm

Item No.

Light brown (RAL 8001)	# 11.05.110
Dark brown (RAL 8017)	# 11.05.120
Ivory	# 11.05.130
White	# 11.05.140
Black	# 11.05.150



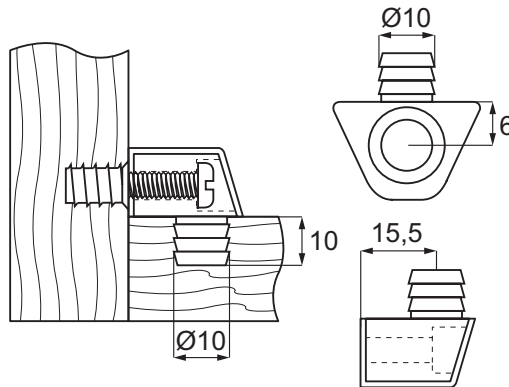
CORNERFIX NO. 300

Material
Plastic

Apply panhead screws 4,5 mm
or euroscrew panhead 6,3 mm

Item No.

White # 11.05.810

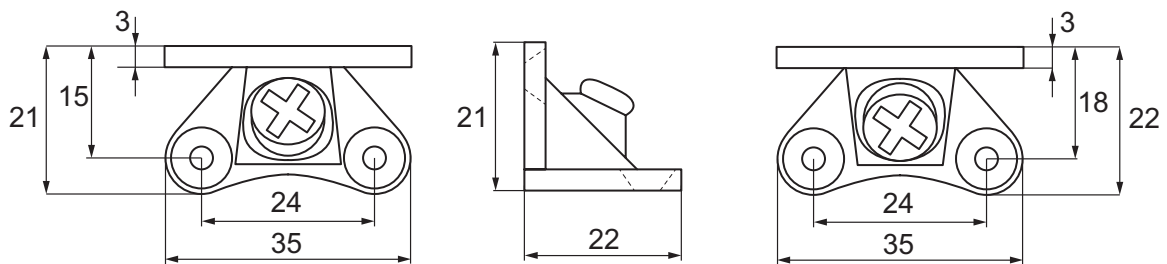


CORNERFIX MODEL "BUTTERFLY"

**CORNERFIX
MODEL "BUTTERFLY"**
with premounted screw

Material
Zamak raw

Item No. # 11.05.100



METAL CORNER CLIP

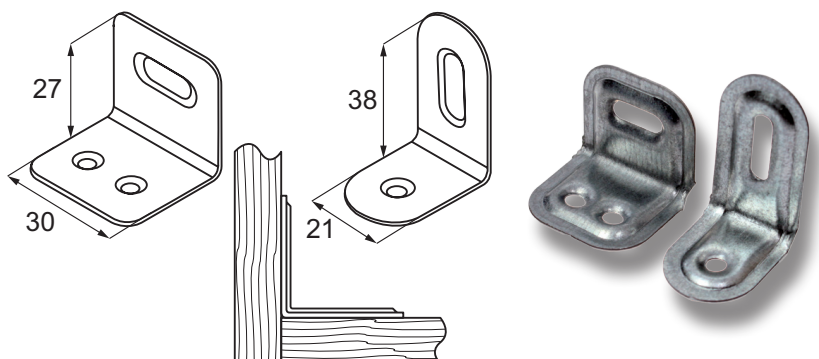
METAL CORNER CLIP

Material
Steel. Bright zinc plated

Item No.

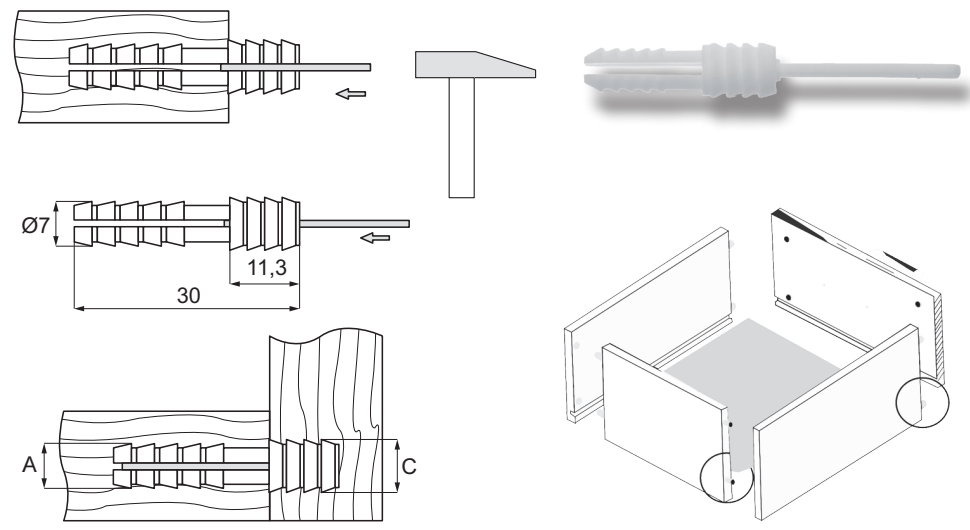
Size 21 x 38 x 28 mm # 24.09.010

Size 30 x 27 x 27 mm # 24.09.020



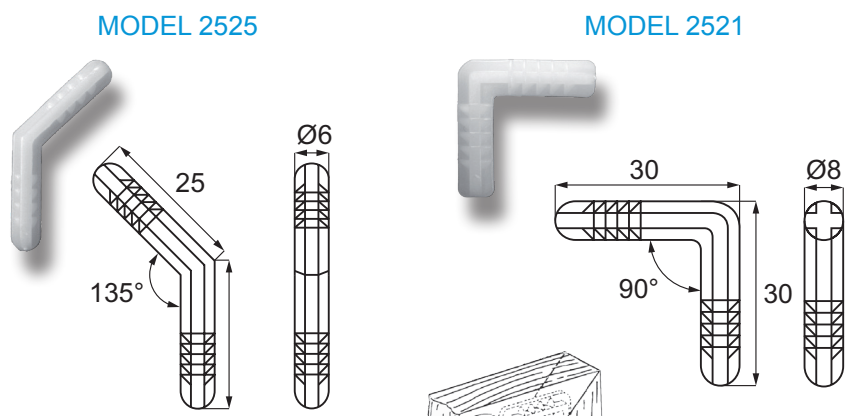
EXPANSION DOWEL MODEL 1703

EXPANSION DOWEL MODEL 1703
 Applied for assembly of drawers and smaller cabinets
Material
 Plastic
Item No. # 11.06.030
A = 6,3 - 6,4 mm
C = 8 mm



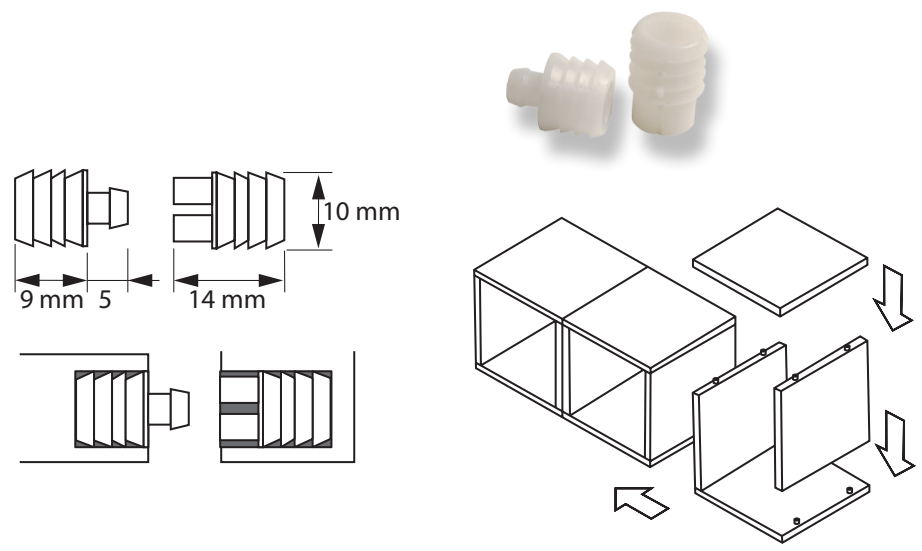
MITRE DOWEL

MITRE DOWEL
Material
 White polyethylene
Item No.
 Model 2525 # 11.06.052
 Model 2521 # 11.06.050



SNAP FITTING # 214

SNAP FITTING # 214
Bore
 Ø 10 mm
Material
 Nylon, White
Max load capacity pr. set
 9 kg
Item No. # 11.06.011 (2 parts)



SNAP FITTING "DIVA"

- high quality furniture fittings

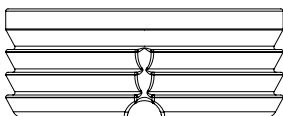
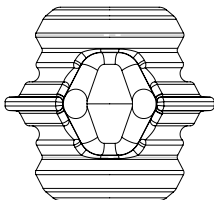
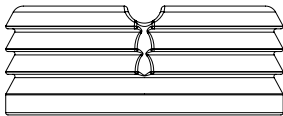


LOW PROFILE CONNECTOR
DOWN TO 5 MM PANEL THICKNESS

SNAP FITTING "DIVA"

Application:
Ideal for applications that require less depth compared to SISO's "Bone" system. Perfect for upholstery furniture where strong & hidden solutions are desired. Not suitable for ceiling installations.

Material: PC, Grey
Panel thickness: Min. 5 mm



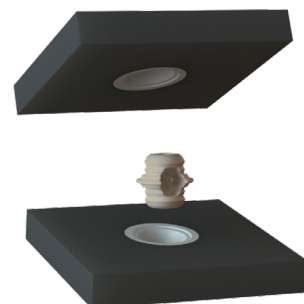
PATENTED



female part

male part

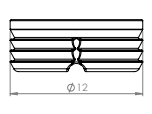
female part



SNAP FITTING "DIVA"

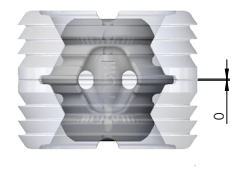
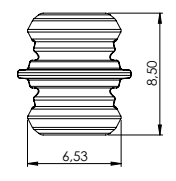
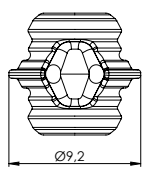
Female Part

Grey PC
 Ø12 x 5 mm
 Item No.: #11.06.017



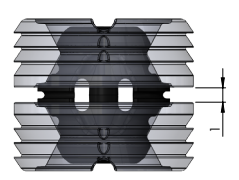
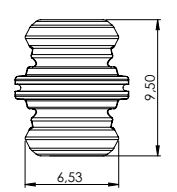
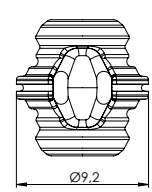
Male Part - 0 mm

Grey PC
 Ø10 x 8,5mm
 Item No.: #11.06.018



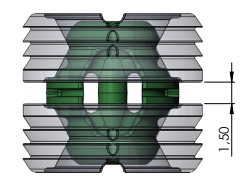
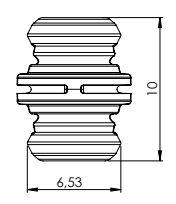
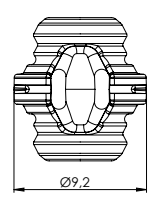
Male Part - 1 mm

Black PC
 Ø10 x 9,5mm
 Item No.: #11.06.019



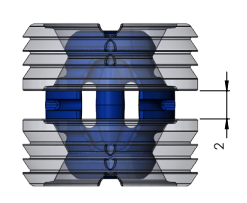
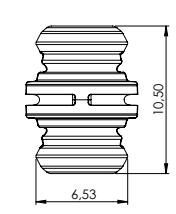
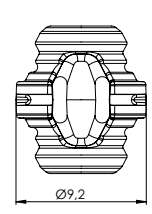
Male Part - 1,5 mm

Green PC
 Ø10 x 10mm
 Item No.: #11.06.020



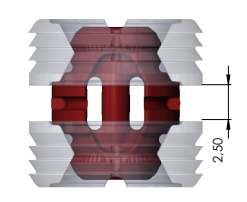
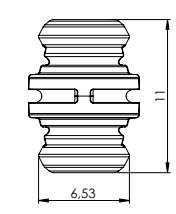
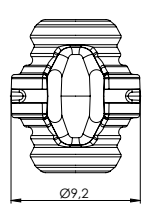
Male Part - 2 mm

Blue PC
 Ø10 x 10,5mm
 Item No.: #11.06.021



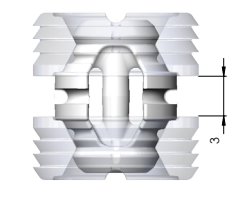
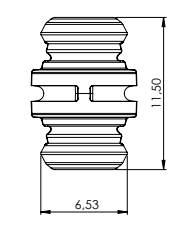
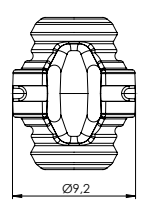
Male Part - 2,5 mm

Red PC
 Ø10 x 11mm
 Item No.: #11.06.022



Male Part - 3 mm

White PC
 Ø10 x 11,5mm
 Item No.: #11.06.023



SNAP FITTING "BONE"

- high quality furniture fittings



SNAP FITTING "BONE"

Application

Knock down, concealed fastening.
Built in furniture securely fastened
and disconnected at any time.
Not suitable for ceiling installation

Material

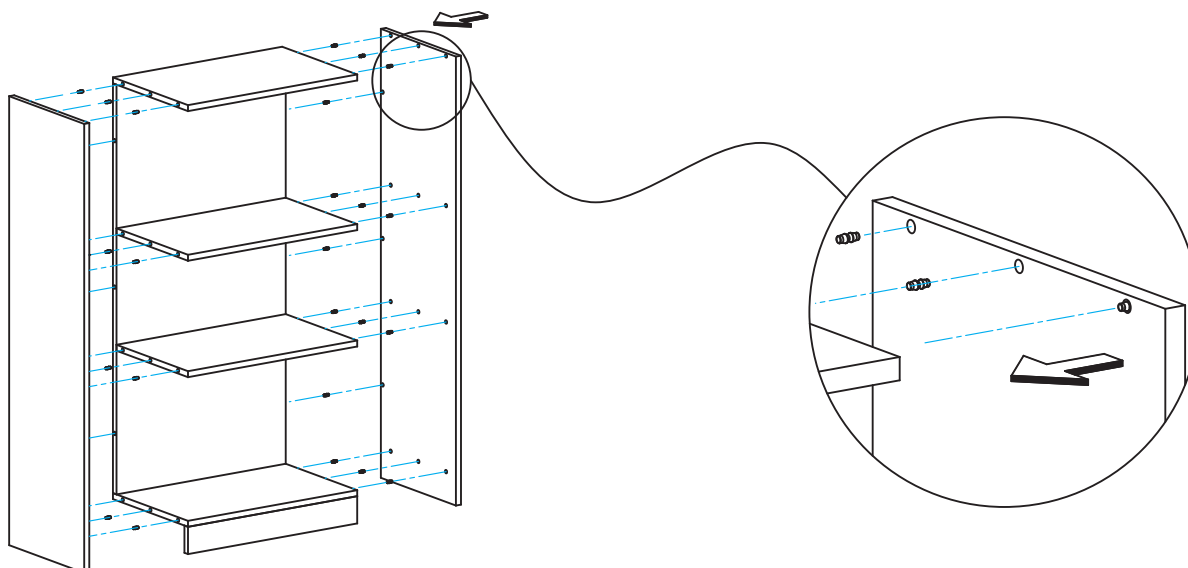
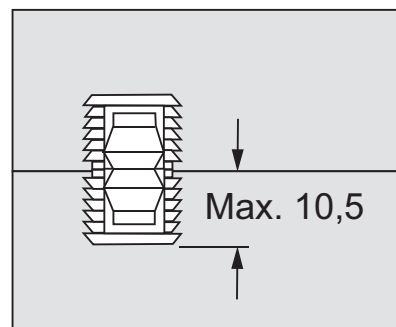
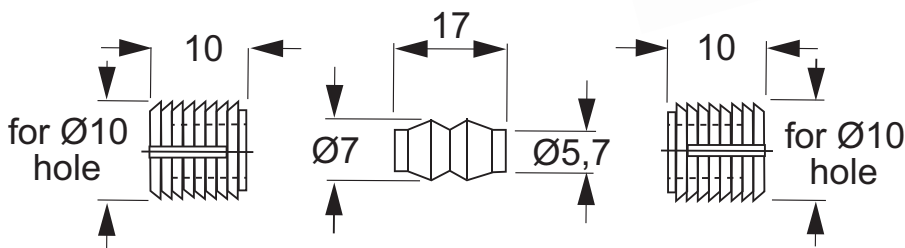
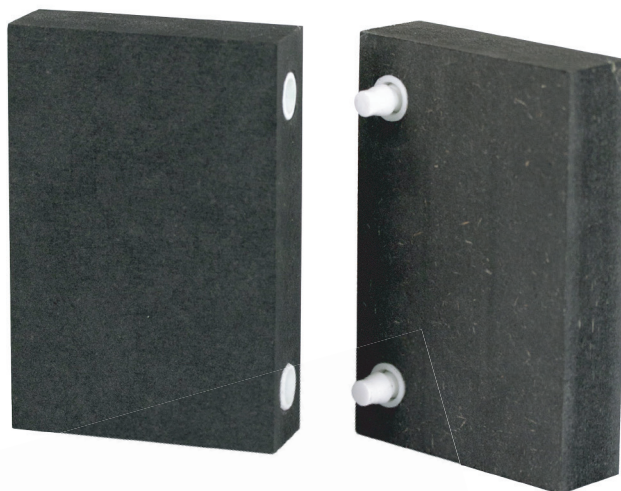
Nylon, White

Bore

Ø 10 x 10 mm

Item No.

Female # 11.06.015
Male # 11.06.016



CLIP CONNECTOR "DOVETAIL"

CLIP CONNECTOR "DOVETAIL"

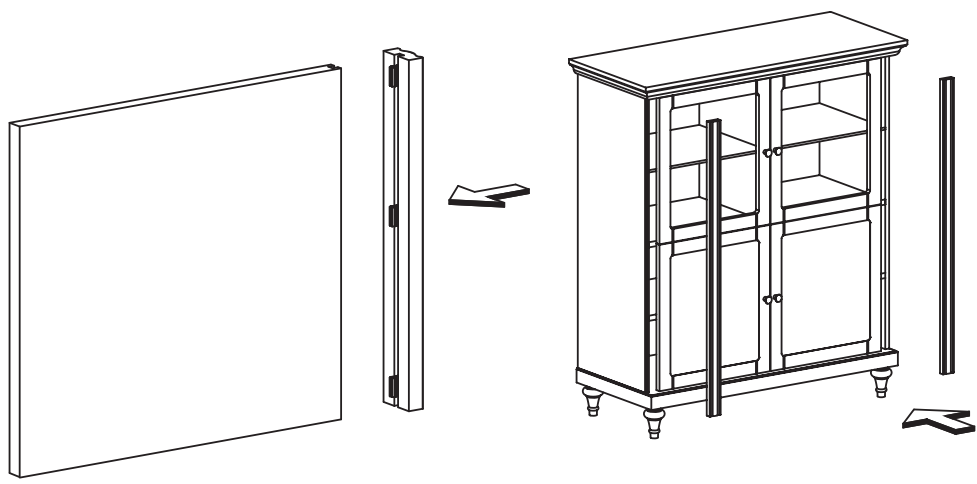
Application
 A concealed, self-tightening, clip connector for fast installation, used mostly for the mounting of mouldings onto surfaces. Use a plunge router to make a pocket groove in each component to be joined.

Material
 POM, Brown

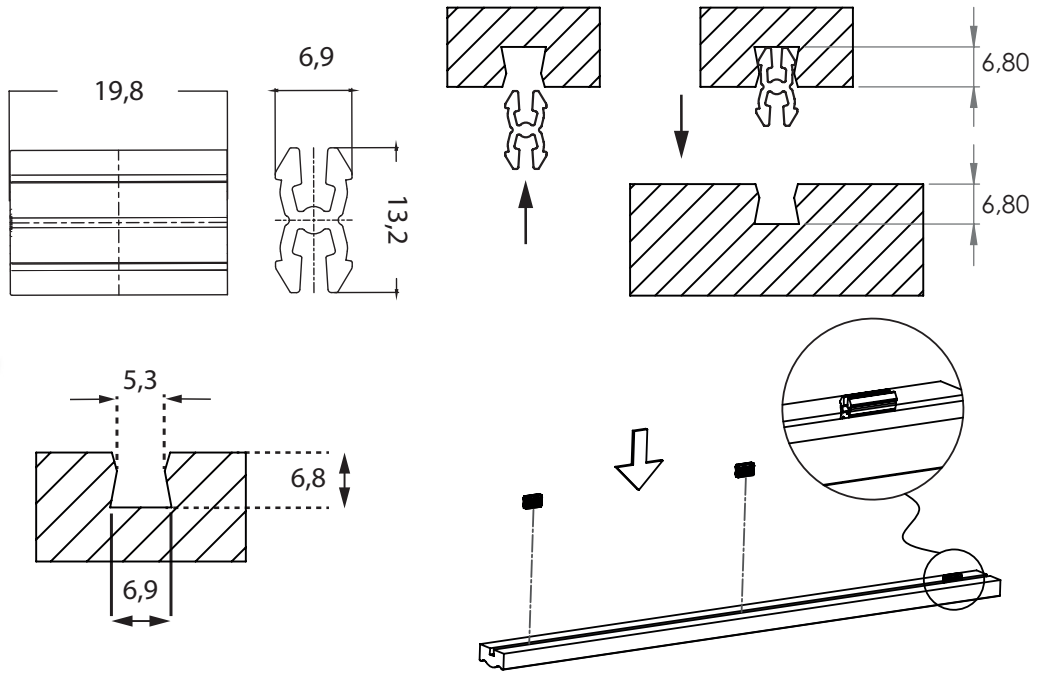
Size
 6,9 x 13 x 19 mm (W/H/L)

Clip Connector
 Item No. # 11.05.840

Router
 Item No. #11.05.841



Router



CLIP CONNECTOR "HALF-TAIL"

- high quality furniture fittings

CLIP CONNECTOR "HALF-TAIL"

Application:

Half-Tail connector with screw fixing, gives the opportunity for two components to be joined with only one pocket groove. Use plunger router to make a pocket groove in the component to be joined

Material:

POM, Brown

Size:

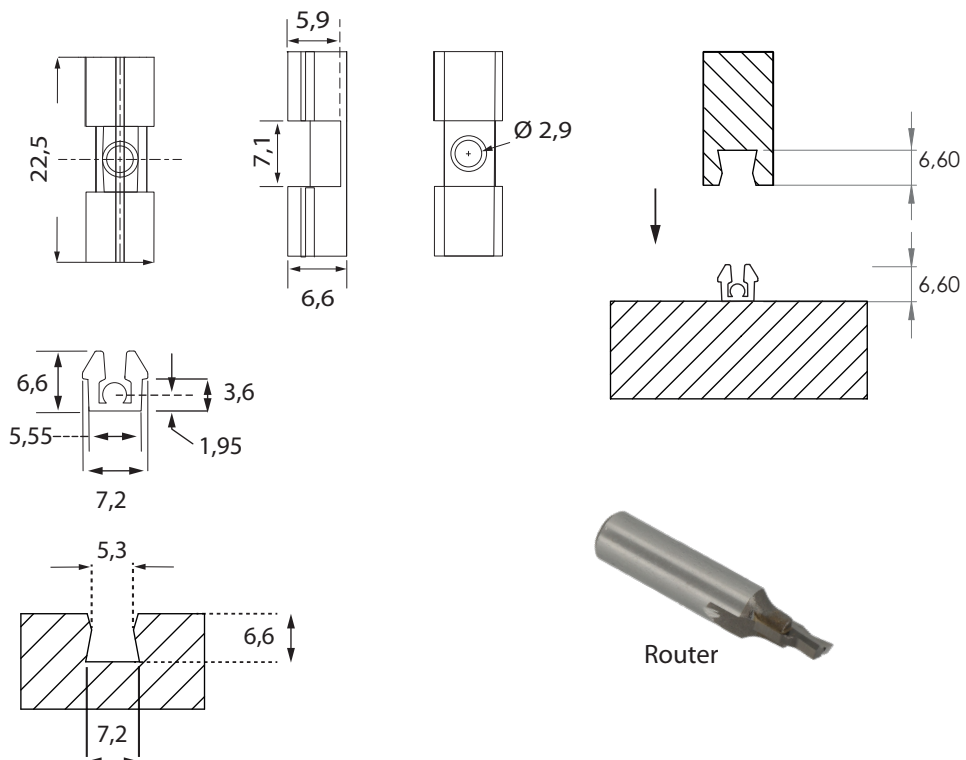
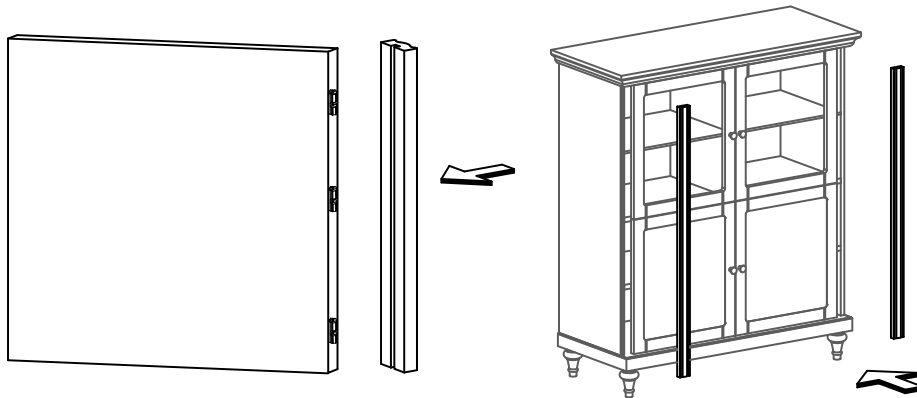
7,2 x 6,6 x 22,5 mm (W/H/L)

Clip Connector:

Item No.: # 11.05.845

Router:

Item No.: # 11.05.841

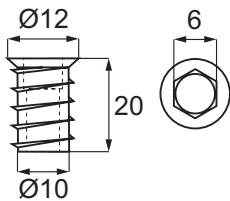
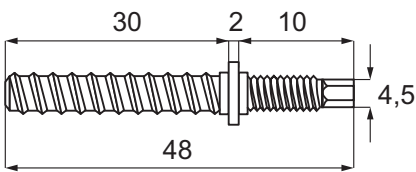
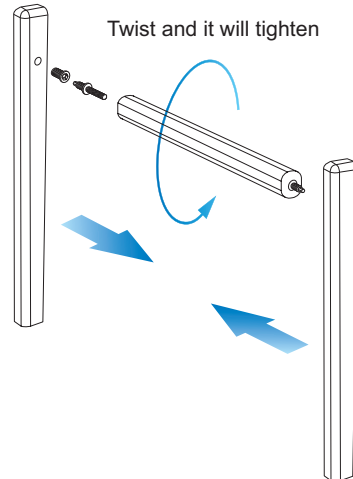
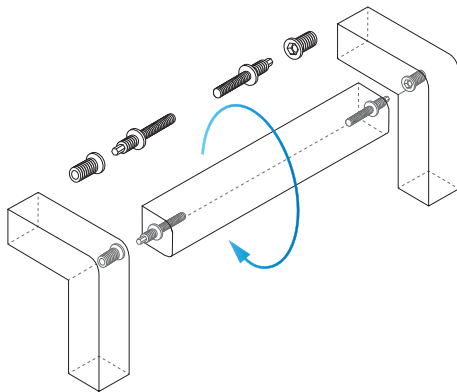
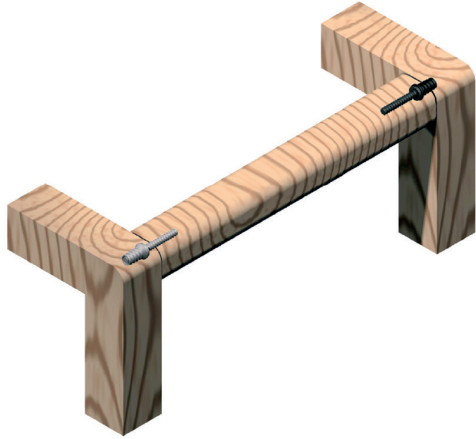


TWIST & TIGHT - CHAIR ASSEMBLY

Ideal knock down system for assembly of chairs.

Due to the combination of a left + right hand thread you can TIGHTEN the cross bars on your chair in one TWIST (move).

A system which gives the end-user the possibility of retightening the chair.



TWIST & TIGHT - CHAIR ASSEMBLY

Material

Steel. Black zinc plated

Item No.

Right turn, bushing 1/4" x 20 mm, bore Ø8 mm

11.04.315

Right turn, twister dowel 7 x 31 mm, bore Ø5 mm, 1/4" x 16 mm

11.04.320

Material

Steel. Bright zinc plated

Item No.

Left turn, bushing 1/4" x 20 mm, bore Ø8 mm

11.04.305

Left turn, twister dowel 7 x 31 mm, bore Ø5 mm, 1/4" x 16 mm

11.04.325

CLIP PANEL CONNECTOR "PUSH FIT"

- high quality furniture fittings

CLIP PANEL CONNECTOR "PUSH FIT"

Designed to allow panels to be directly mounted from the front. The panel component locks into the frame element as the panels are pushed together. The strong clamping effect is sufficient to hold even heavy panels securely, yet the fasteners may be quickly released again without any special tools. Frame side may be mounted in system holes with euro screws or with wood screws.

Material
PC, Black

Max load capacity pr. set
20 kg

Item No.:

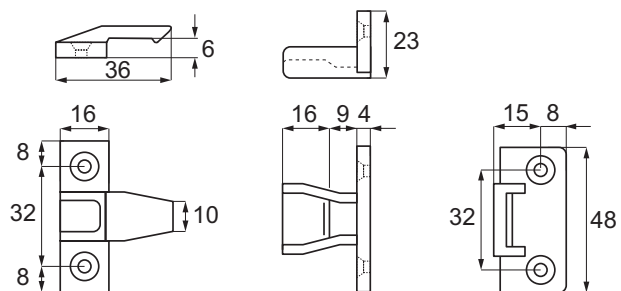
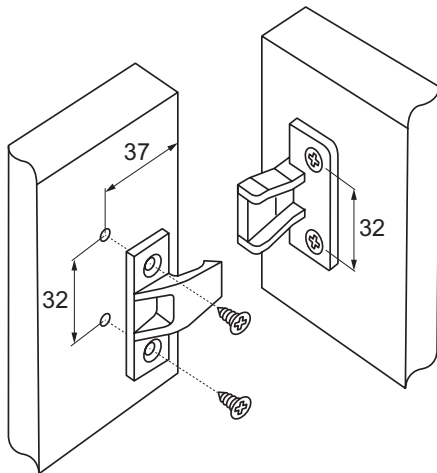
- Female Part for chipboard screws # 11.05.601
- Male Part for chipboard screws # 11.05.602
- Female Part for euro screws # 11.05.605
- Male Part for euro screws # 11.05.606



11.05.605

11.05.606

*Not for sale in Germany

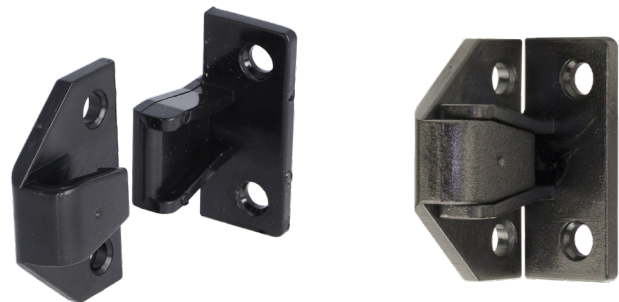


CLIP PANEL CONNECTOR "PUSH-FIT" W/HOOK

CLIP PANEL CONNECTOR "PUSH-FIT" W/HOOK

Item No.:

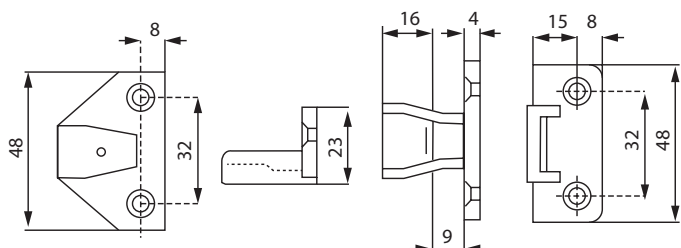
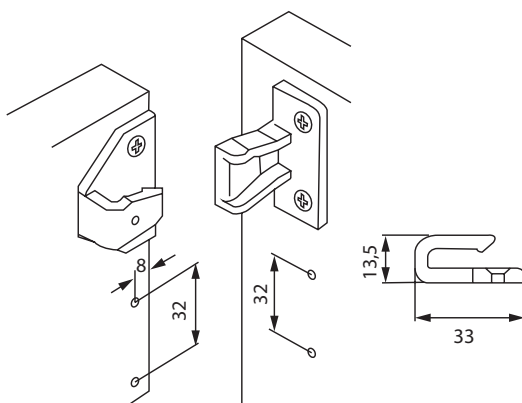
- Female Part for euro screws # 11.05.605
- Hook Male Part for euro screws # 11.05.607



11.05.607

11.05.605

*Not for sale in Germany



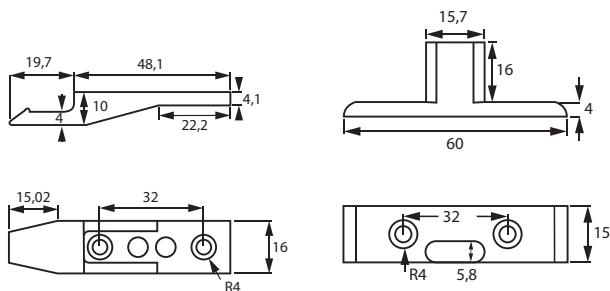
SUSPENDED HANGER FITTINGS

SUSPENDED HANGER FITTING

Material
PC, Black

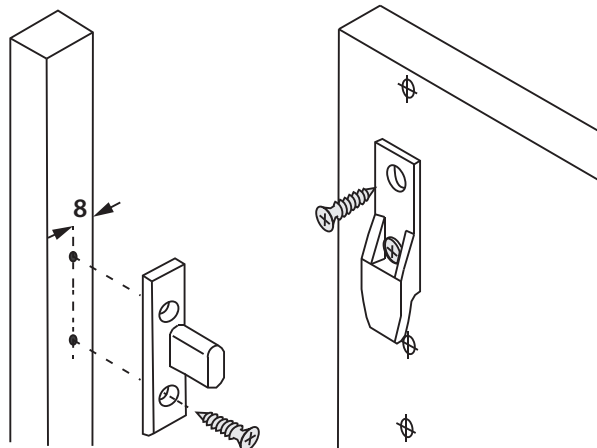
Max load capacity pr. set
20 kg

Item No.:
Female part for chipboard screws # 11.05.618-0
Male part for chipboard screws # 11.05.619-0
Female part for euro screws # 11.05.618-5
Male part for euro screws # 11.05.619-9



11.05.619 # 11.05.618

*Not for sale in Germany



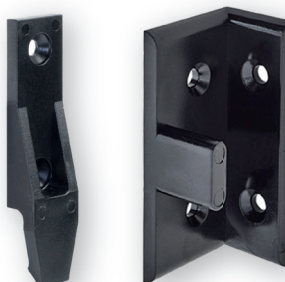
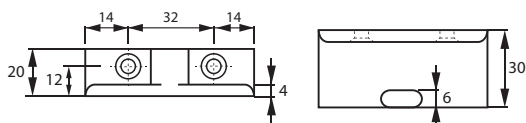
SUSPENDED HANGER FITTING W/ANGLED MALE PART

Material
PC, Black

Max load capacity pr. set
20 kg

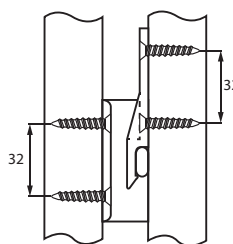
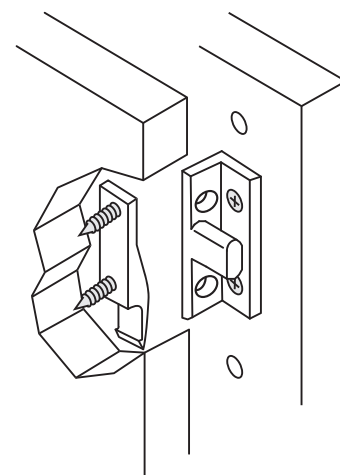
Panel distance: 30 mm

Item No.:
Male part for chipboard screws # 11.05.620
Female part for chipboard screws # 11.05.618



11.05.618 # 11.05.620

*Not for sale in Germany

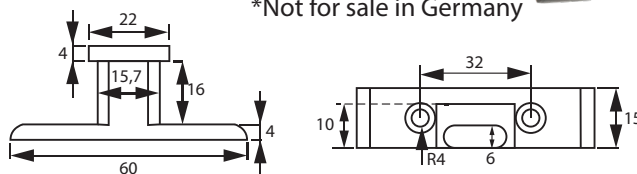


SUSPENDED HANGER FITTING W/SIDE GUIDE

Material
PC, Black

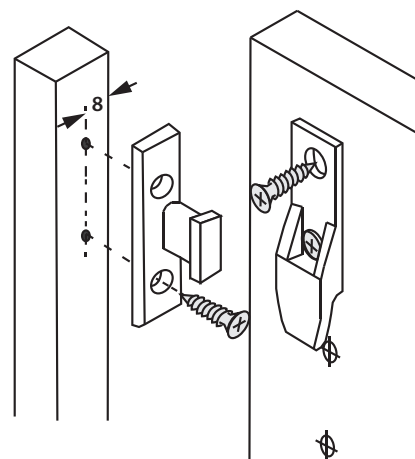
Max load capacity pr. set
20 kg

Item No.:
Male & female for chipboard screws # 11.05.621



11.05.621

*Not for sale in Germany



CABINET HANGER "CLIFF"

- high quality furniture fittings



CABINET HANGER "CLIFF"

Ideal for hanging up cabinets or panels.

Material: PC, Black

Max load capacity:
250 kg by use of 4 sets

Panel distance: 13 mm

Horizontal adjustment: $\pm 12,5$ mm

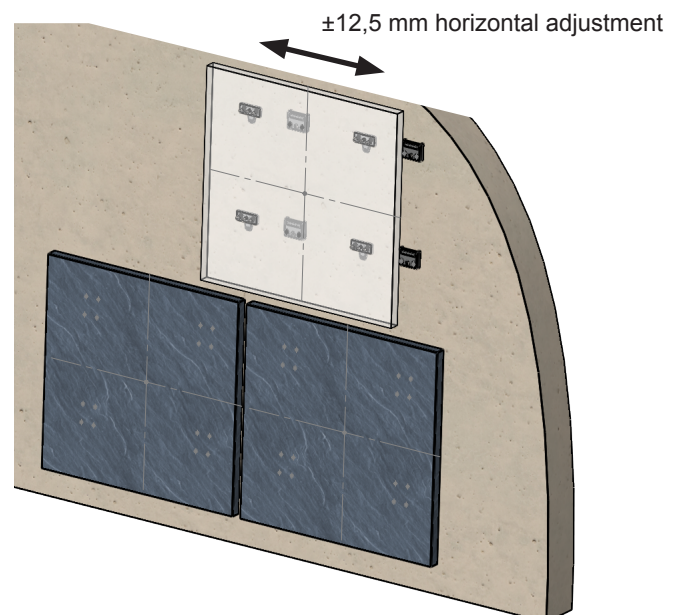
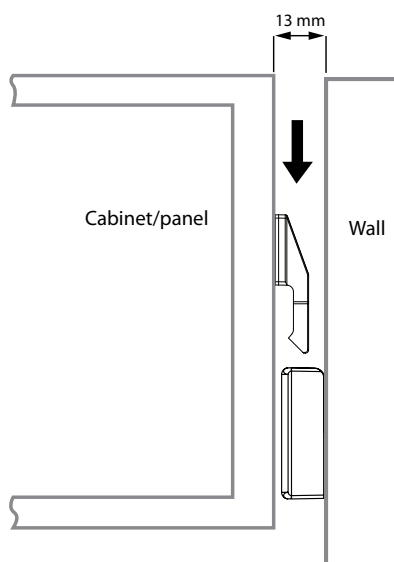
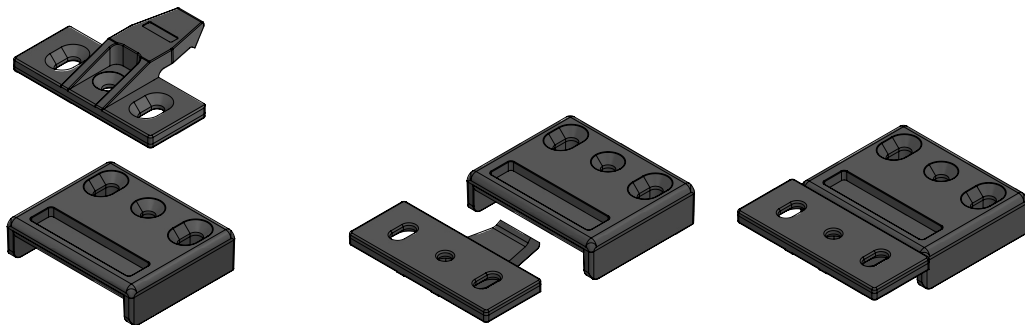
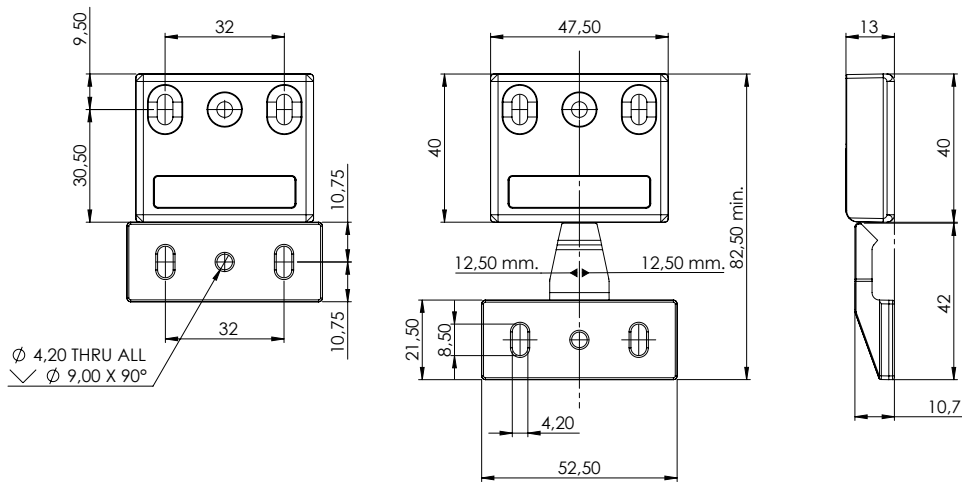
Item No.:

Male part #11.05.650

Female part #11.05.651



*Not for sale in Germany



PANEL CLICK BUTTON CONNECTOR

PANEL CLICK BUTTON CONNECTOR

Application

The Panel Click button connector is perfect for mounting ceiling and wall panels in areas with minimal frame and panel thickness. To be fixed by screws Ø5 mm or glue.

Specification

Grey PC material

Size

20,5 x 20,5 mm
Screw holes Ø5 mm

Easy installation by use of locator button

10 mm panel distance after mounting
Max pull out load 5 kg. per. button.

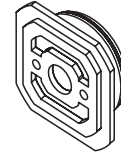
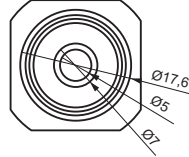
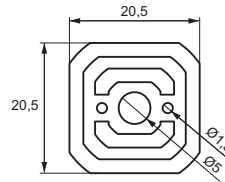
Item No.

Male # 11.05.818-5 (without screws)
Female # 11.05.819-5 (without screws)

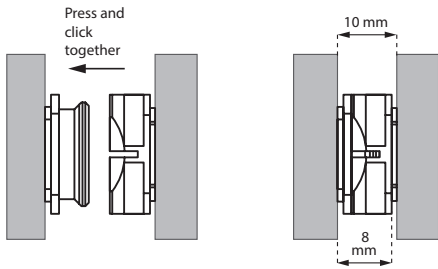
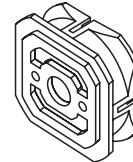
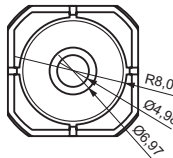
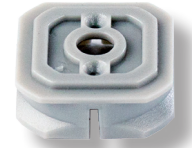
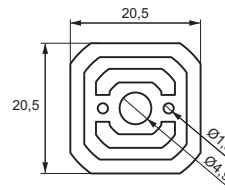
Locator button to be bought separately

Item No. # 11.05.821

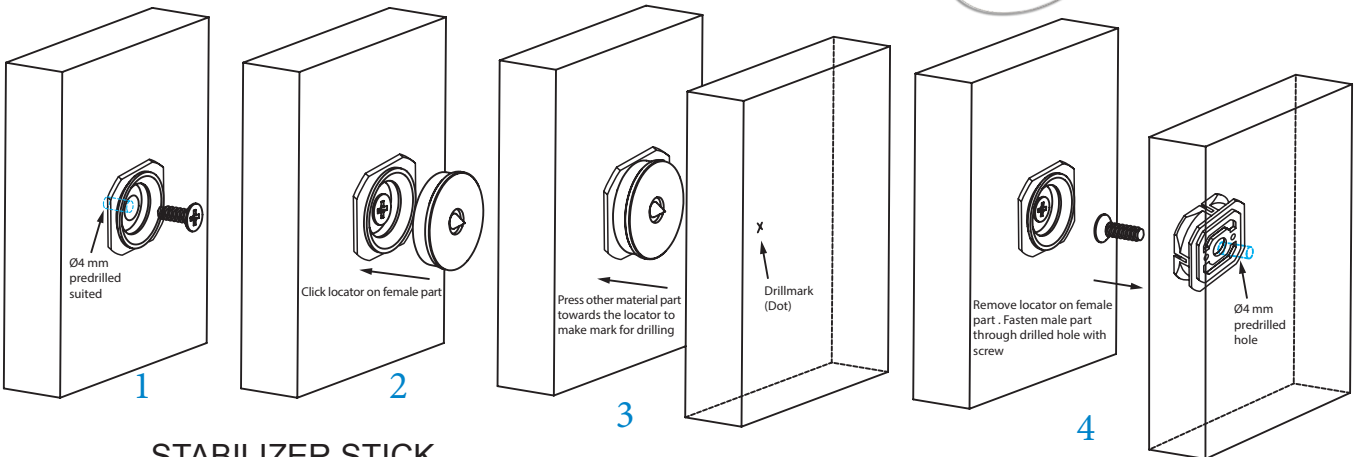
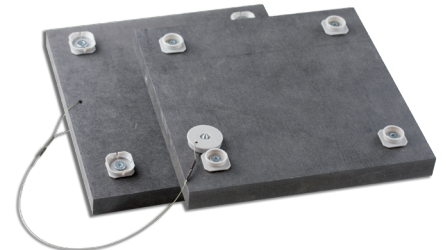
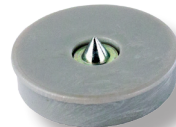
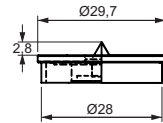
Male



Female



Locator button



STABILIZER STICK FOR CLICK BUTTON SYSTEM

Application

Used to stabilize and strengthen the edges of the panels

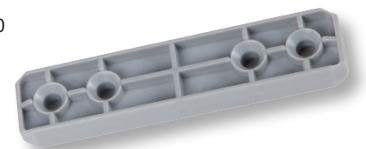
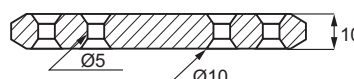
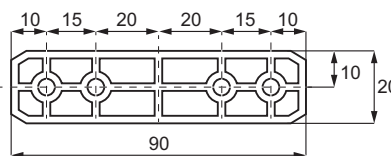
Specification

Grey PC material

Size

20 x 90 mm
Screw holes Ø5 mm

Item No. # 11.05.825



MULTI CLIP

- high quality furniture fittings

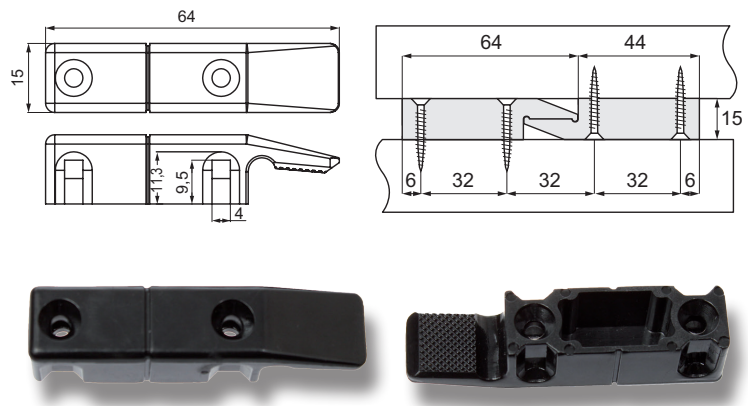


MULTI CLIP
 Multipurpose clip connector for furniture. Allows preassembly of sub-frames and fittings in the workshop.
 All of the panels, once installed, can be easily removed at any time and with no special tools.
 Mounted with chipboard screws.

Material
 PC, Black

Max load capacity pr. set
 20 kg

Item No.: # 11.05.610
 (1 Pce - universal)

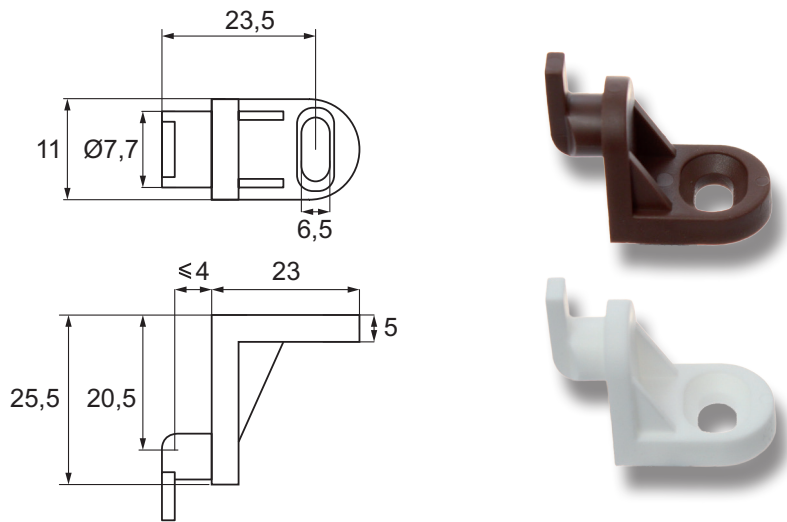


FOR ONE CONNECTION YOU NEED 2 PCS

PANEL CONNECTOR RV 3

REAR PANEL CONNECTOR RV 3
 Short arm for 3-5 mm rear panel
 Apply screw 5 - 5,5 mm

Item No.
 Brown # 11.05.500
 White # 11.05.501

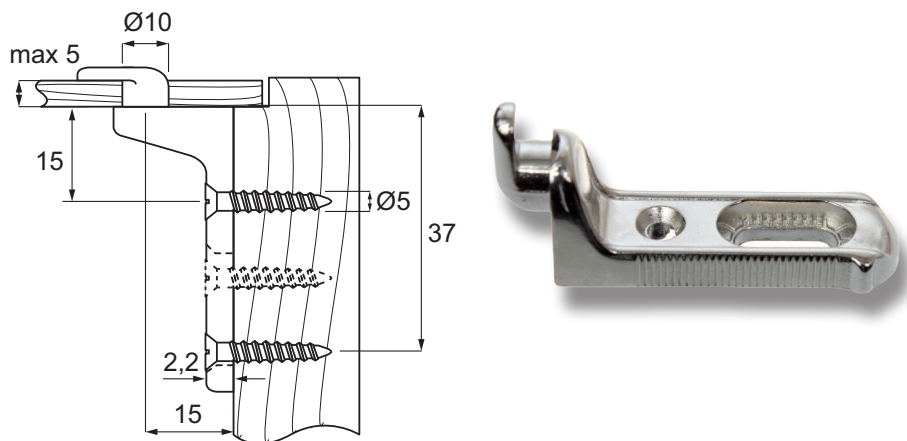


REAR PANEL CONNECTOR VB-500

REAR PANEL CONNECTOR VB-500
 Long arm for rear panel max 5 mm
 Apply screw 3,5 mm & 5,5 mm

Material
 Zamak nickel plated

Item No. # 11.05.520

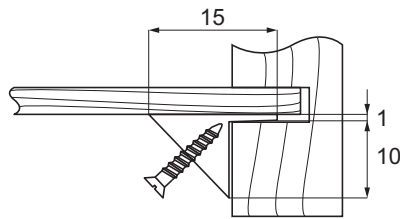


STABILIZER F/DRAWERS & BACK PANELS

Material

Plastic - White

W/Premounted screw # 11.05.700



KEYHOLE FIXTURE MODEL 726

KEYHOLE FIXTURE MODEL 726

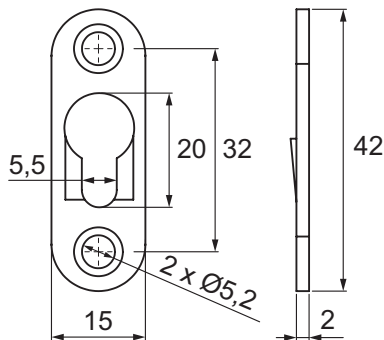
Stamped fitting made of heavy gauge steel for mounting pictures, shelves, notice boards, ornaments clocks etc.

Designed to be attached to a surface or inlay, allowing a 5 mm countersunk or panhead screw to be inserted into the hole and retained by the lower narrow space, and 4 mm screw for attachment of the fixture to the panel

Material

Steel BZP

Item No. # 11.06.810



KEYHOLE FIXTURE MODEL 724

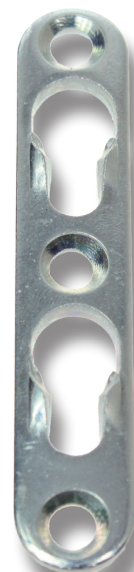
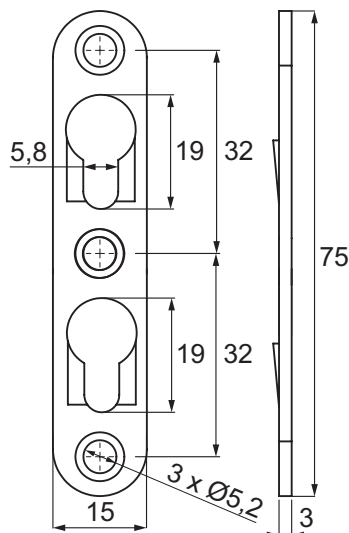
KEYHOLE FIXTURE MODEL 724

Twin hole multipurpose fitting apply 5 mm panhead or countersunk screws to be inserted and retained and 4 screw for attachment of the fixture to the panel

Material

Steel BZP

Item No. # 11.06.800



BED RAIL BRACKET MODEL 3750

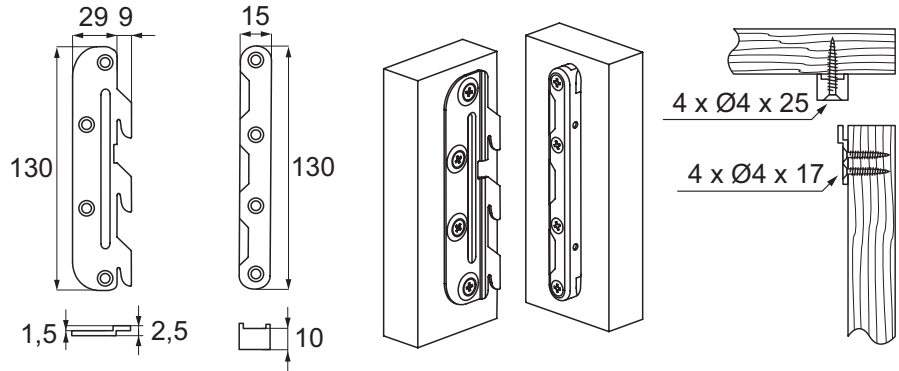
- high quality furniture fittings

BED RAIL BRACKET MODEL 3750

Material
Steel

One set consist of
4 male parts
4 female parts

Item No.
Yellow zinc plated # 11.01.060
Bright zinc plated # 11.01.061



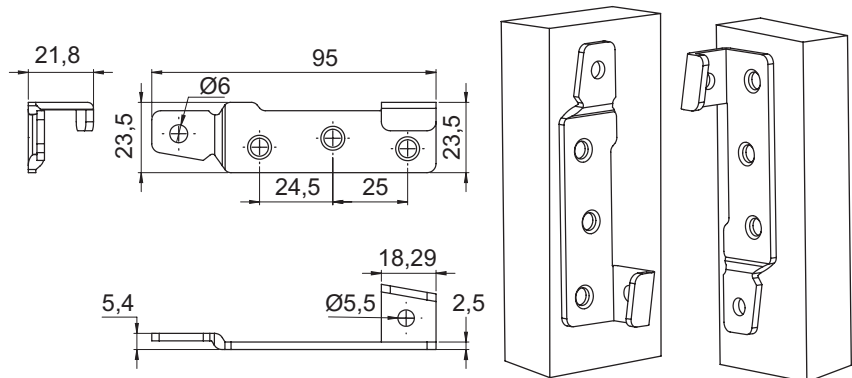
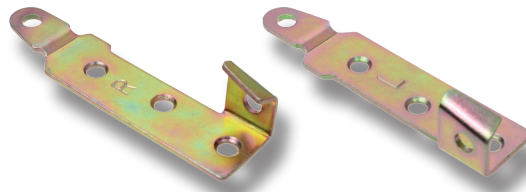
BED RAIL BRACKET MODEL 3553

BED RAIL BRACKET MODEL 3553

Material
Steel

One set consist of
4 male parts
4 female parts

Item No.
Yellow zinc plated # 11.01.010



BED RAIL BRACKET MODEL 3704

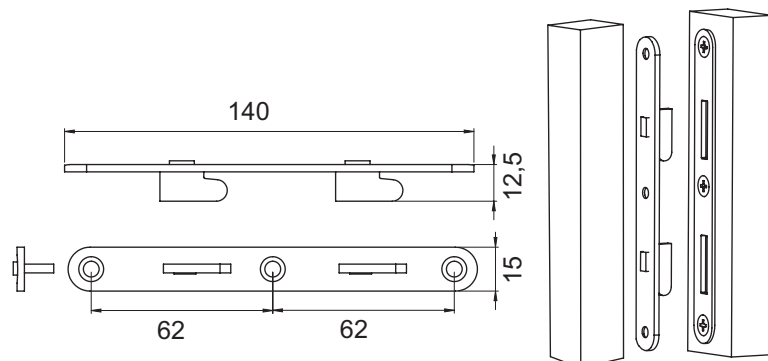
BED RAIL BRACKET MODEL 3704

Double hooks
Rounded corner

Material
Steel

One set consist of
4 male parts
4 female parts

Item No.
Model 3704 - 140 mm
Bright zinc plated # 11.01.035



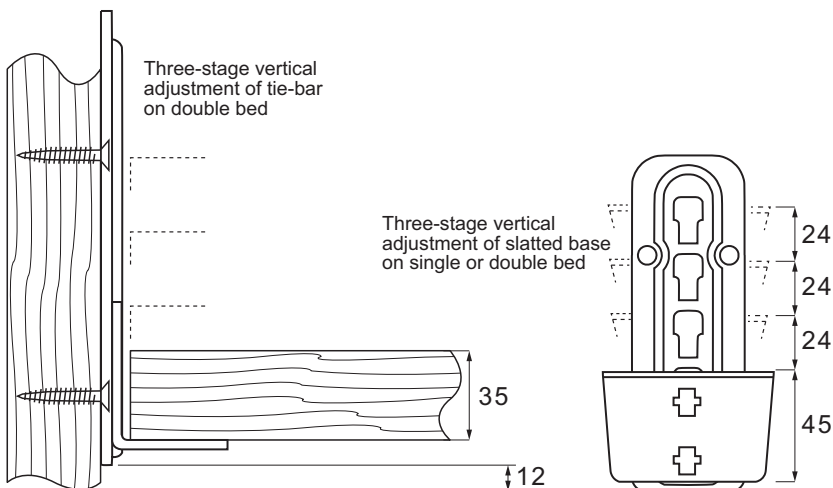
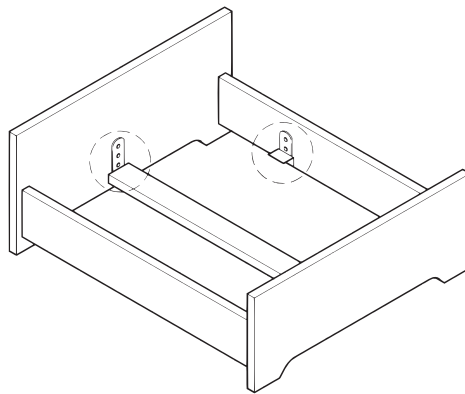
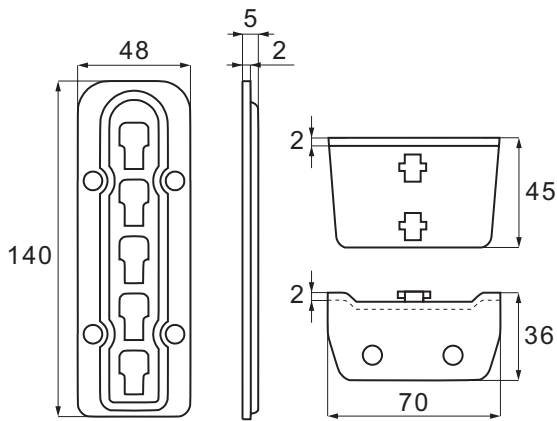
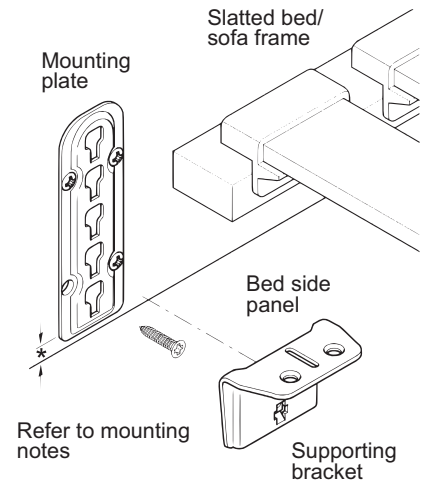
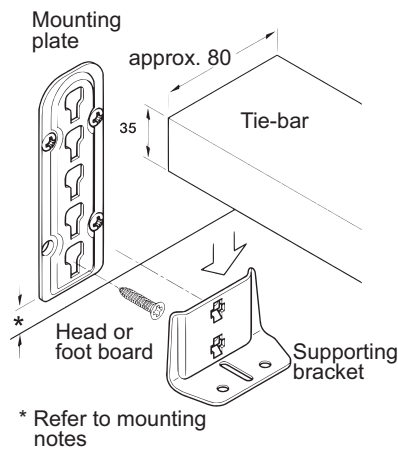
SUPPORT BRACKET MODEL "REGULO"

SUPPORT BRACKET MODEL "REGULO"

Material
Steel, Yellow zinc plated

One set consist of
1 male part
1 female part

Item No.
Female # 11.01.111
Male # 11.01.112



SUPPORT BRACKET MODEL 3892

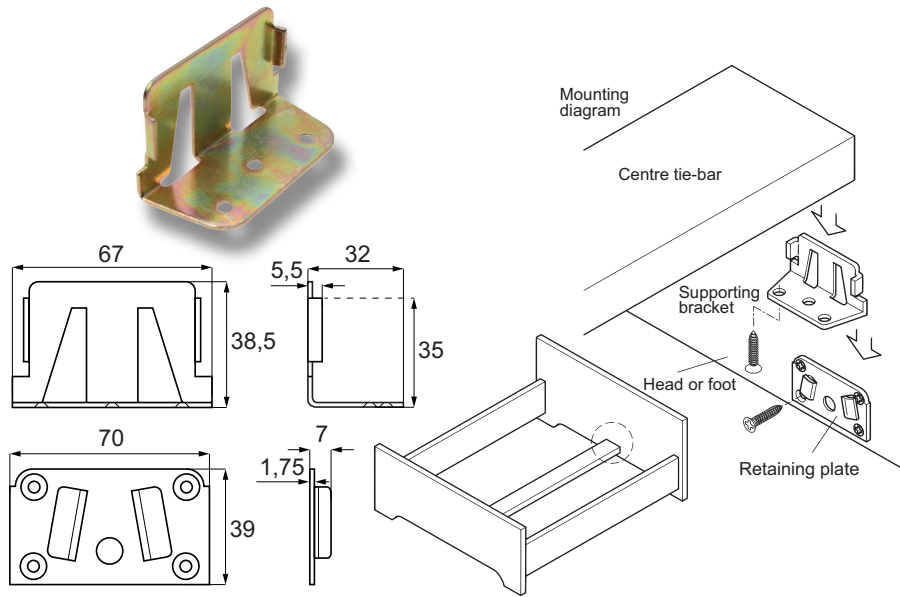
- high quality furniture fittings



SUPPORT BRACKET MODEL 3892

Material
Steel, yellow zinc plated

Item No.
Male part # 11.02.035
Female part # 11.02.040



JOINT CONNECTOR "ZIMAK"

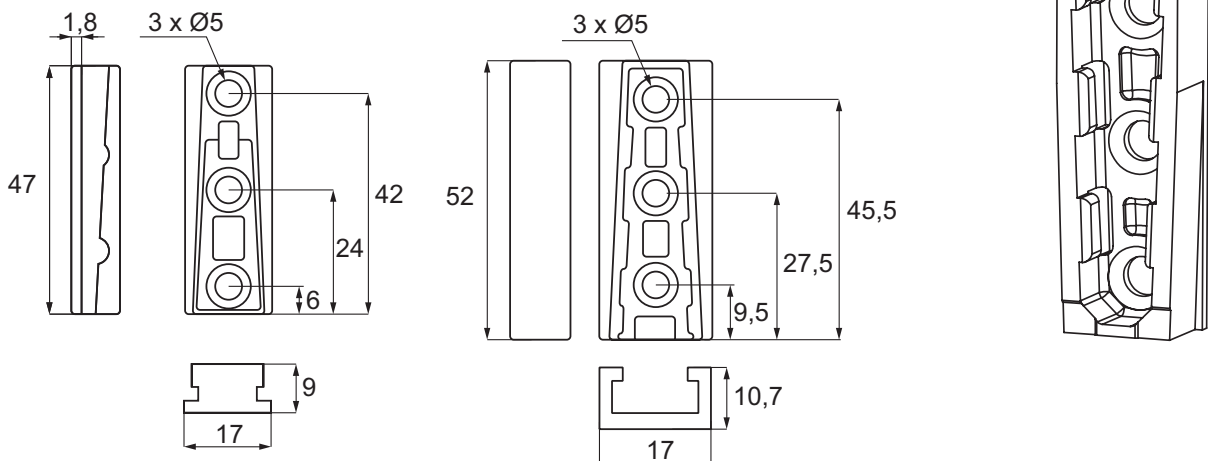
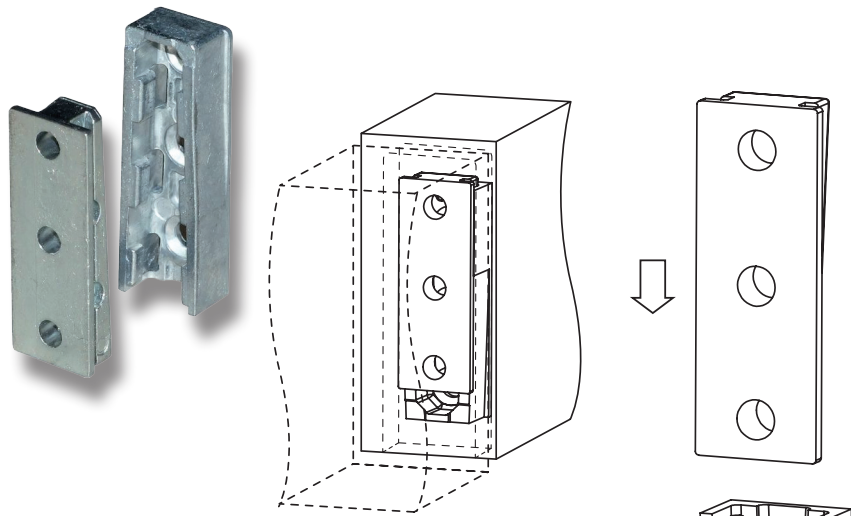
JOINT CONNECTOR "ZIMAK"

Apply where invisible joints of great strength are desired such as beds, tables and other corpus constructions

Material
Zamak, raw

Item No.
Female part # 11.01.500
Male part # 11.01.501

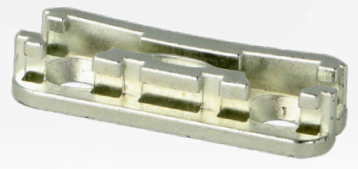
Apply screws 4 - 4,5 mm for attachment of this fitting to panels



JOINT CONNECTOR "NIGIRI" – FOR INVISIBLE INSTALLATION



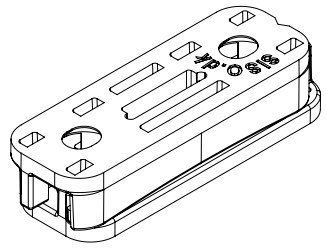
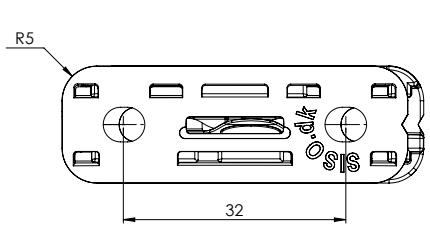
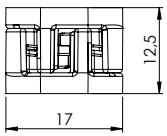
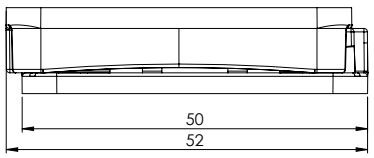
PATENTED



Ideal for bed frames, tables ect. where great strength is required.

Features:
 Universal joint connector. No male or female
 Invisible installation – slide on.
 Self-tightening due to its wedge structure
 Easy to assemble and disassemble

Material: Zamak – zinc plated
 Size: 50 x 17 x 9,5 mm
 Item No.: # 11.01.505 (Sold per piece)



SLIDE-ON CONNECTOR "TEMARI" – SINGLE DOWEL

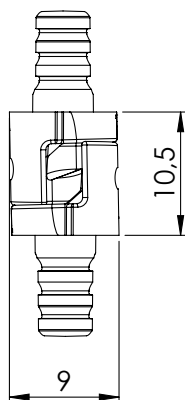
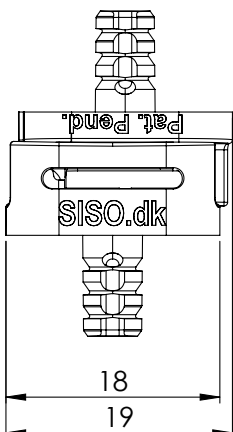
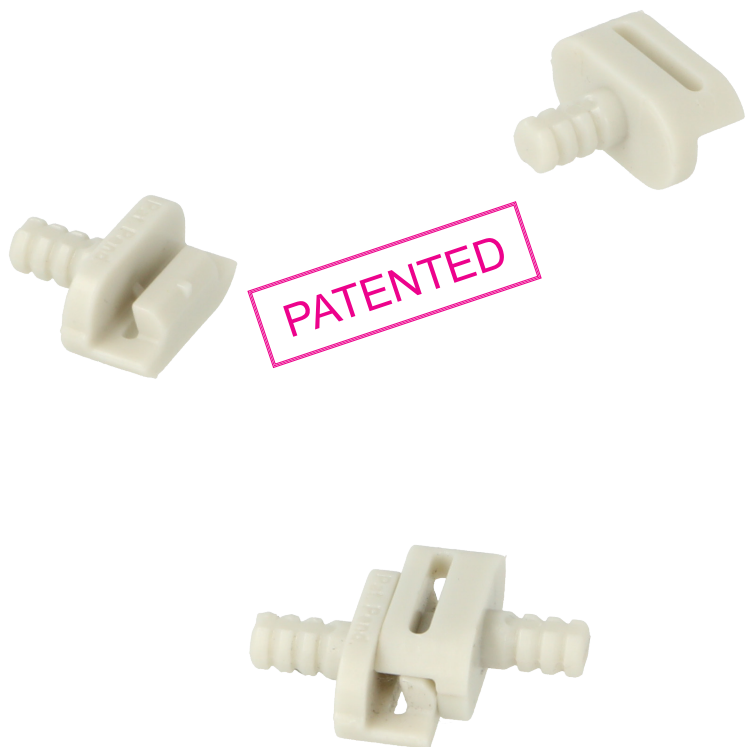
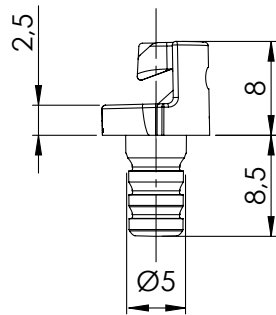
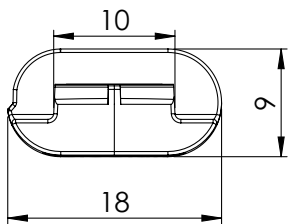
- high quality furniture fittings



Ideal for installing shelves into a bookcase.

Features:
 Universal joint connector. No male or female
 Invisible installation – slide on
 Self-tightening due to its wedge structure
 Easy to assemble and disassemble

Material: PC plastic – grey
 Size: 18 x 16,5 x 9 mm.
 Pin: Ø5 x 8,5 mm
 Item No.: 11.04.560



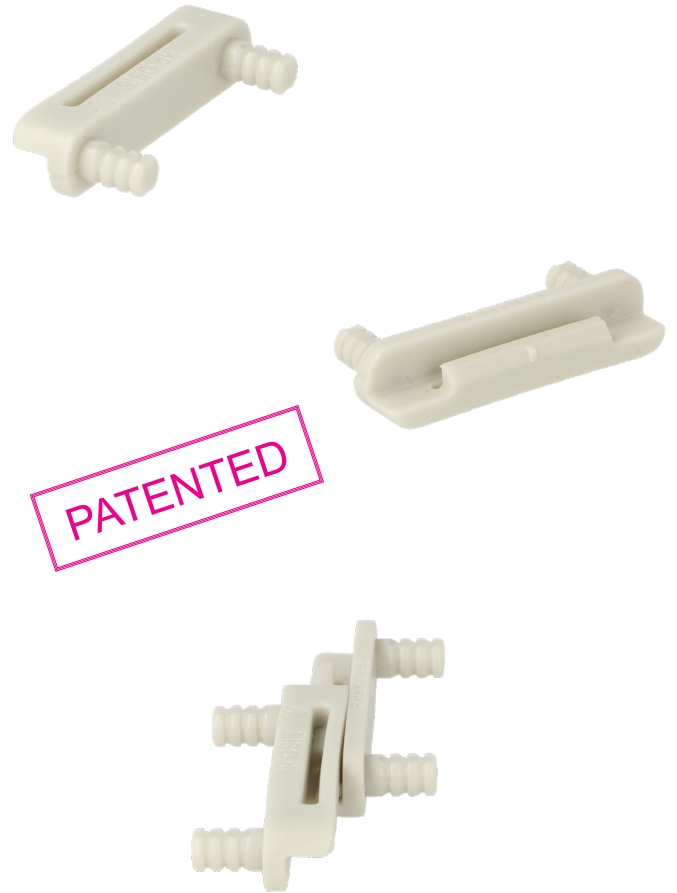
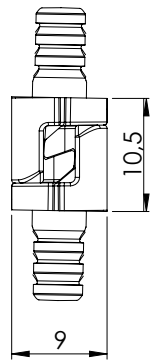
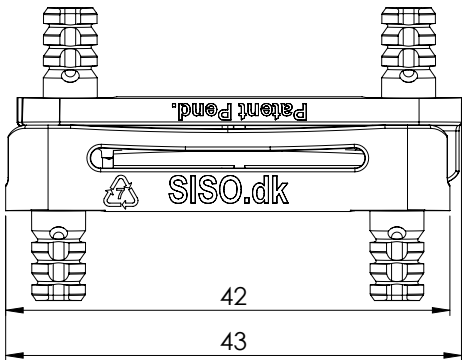
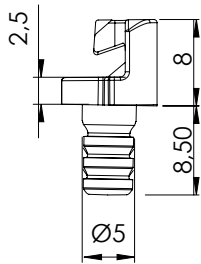
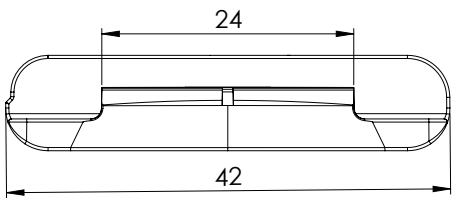
SLIDE-ON CONNECTOR "MAKI" – DOUBLE DOWEL



Ideal for bookcases, sideboards, bed side tables etc.

Features:
 Universal joint connectors. No male or female
 Invisible installation – slide on
 Self-tightening due to its wedge structure
 Easy to assemble and disassemble

Material: PC plastic – grey
 Size: 42 x 16,5 x 9 mm
 Pins: Ø 5 x 8,5 mm. cc: 32 mm
 Item No.: 11.04.565



ROW CONNECTOR

- high quality furniture fittings

ROW CONNECTOR

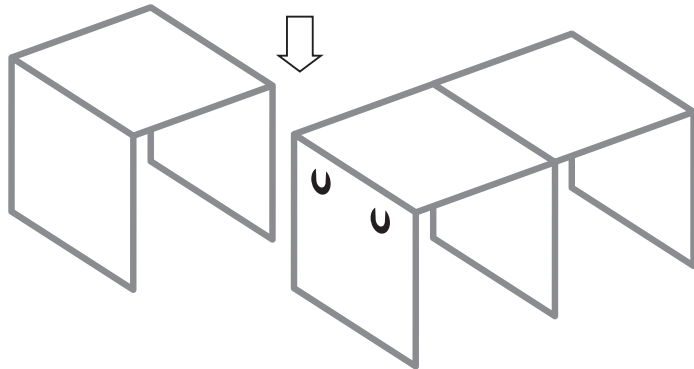
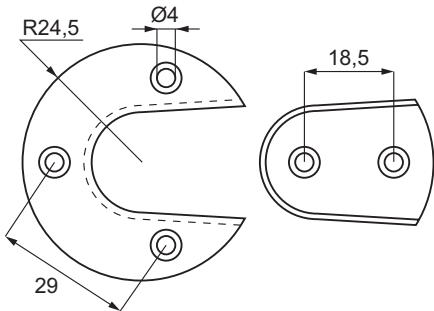
Ideal to connect rows of furniture such as chairs, tables etc.

Material
Nylon, black

Item No.

Male part # 06.05.066
Female part # 06.05.067

Screws to be bought separately



BEECH WOOD DOWELS

BEECH WOOD DOWELS

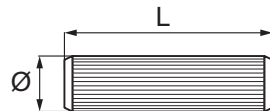
SISO wooden dowels are properly dried and manufactured according to DIN norm

Item No.

Ø x L

- 6 x 20 mm # 11.06.058
- 6 x 30 mm # 11.06.070
- 6 x 50 mm # 11.06.150
- 8 x 30 mm # 11.06.170
- 8 x 35 mm # 11.06.180
- 8 x 40 mm # 11.06.190
- 8 x 50 mm # 11.06.210
- 10 x 35 mm # 11.06.282
- 10 x 40 mm # 11.06.291
- 10 x 50 mm # 11.06.310

Other sizes up-on request.



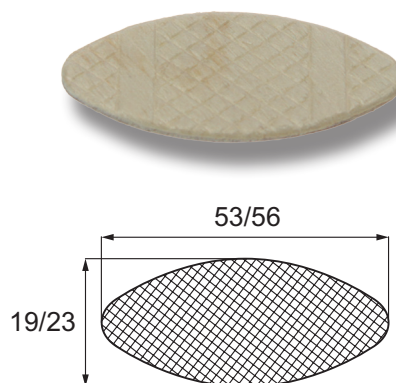
WOODEN JOINING BISCUITS

WOODEN JOINING BISCUITS

The wooden biscuits are made from cross branded laminations of compressed birch wood. Birch timber provides superior strength and consistent plate thickness suitable for joining wooden panels such as chipboard and MDF

Item No.

- 53 x 19 x 4 mm # 11.06.361
- 56 x 23 x 4 mm # 11.06.362



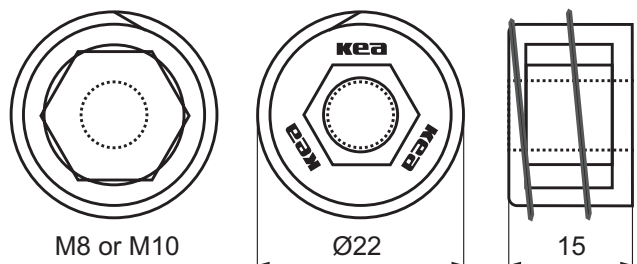
KEA SCREW-IN BUSHING



Tool for insert.
Item No. # 11.07.025

KEA SCREW-IN BUSHING W/SPRING-LOADED INTERNAL THREAD

Material	Zamak, plain	
Bore	Ø22 mm x 15 mm	
Threaded hole	M8 & M10	
Item No.	M8	# 11.07.010
	M10	# 11.07.011

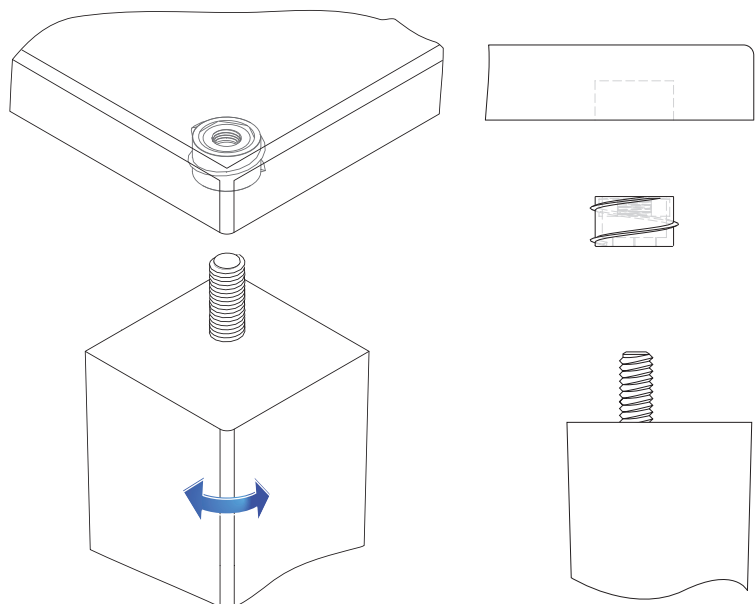


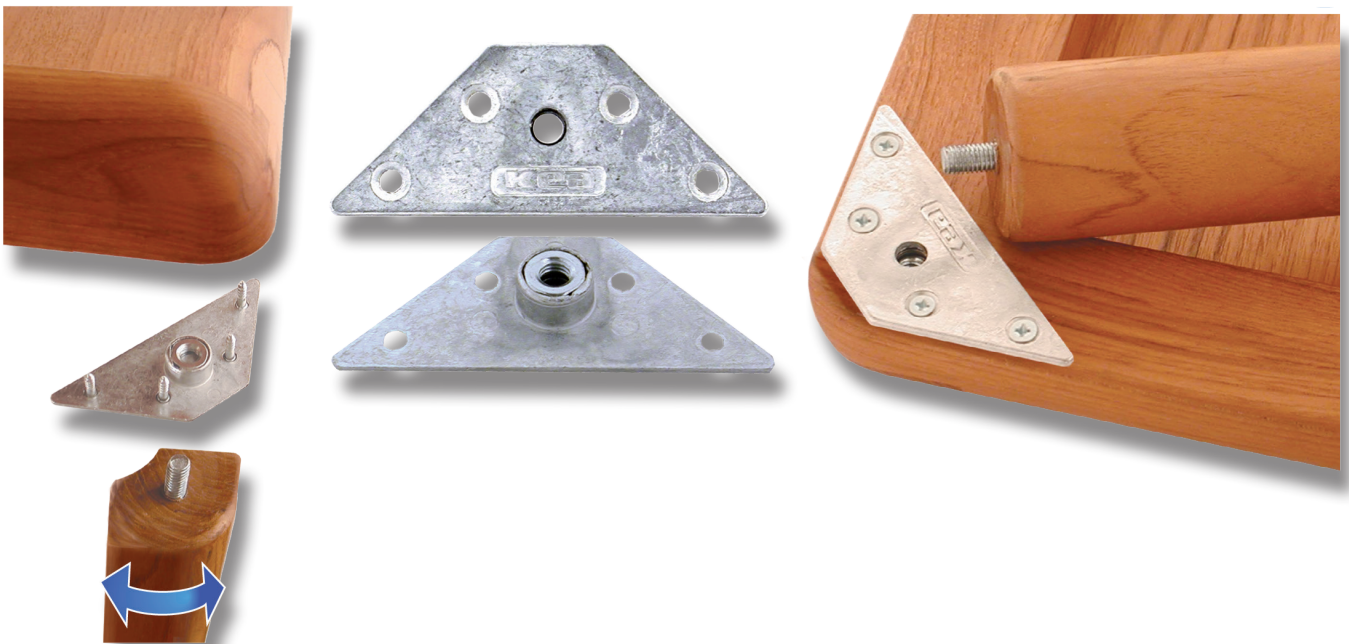
KEA BUSHING FOR TABLES

The perfect solution for coffee and dining tables.

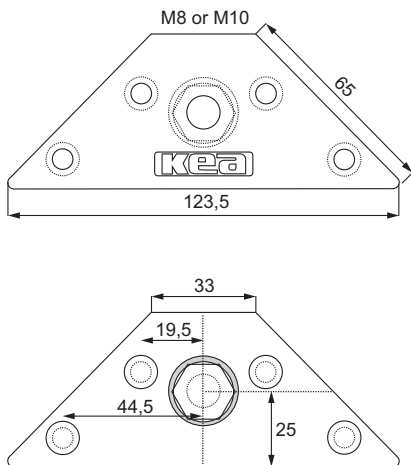
The KEA solution gives you the possibility to tighten and adjust your table leg in any position due to its patented internal spring-loaded system. With a traditional bushing you normally reach a point where you cannot turn in the hangerbolt any further. If you then have a square table leg that has to be flush with the edge of the table you have a problem. Only by heavy force you can try to turn your table leg further and risk that the wood cracks.

This will not happen with the KEA bushing due to its patented internal spring-loaded system.



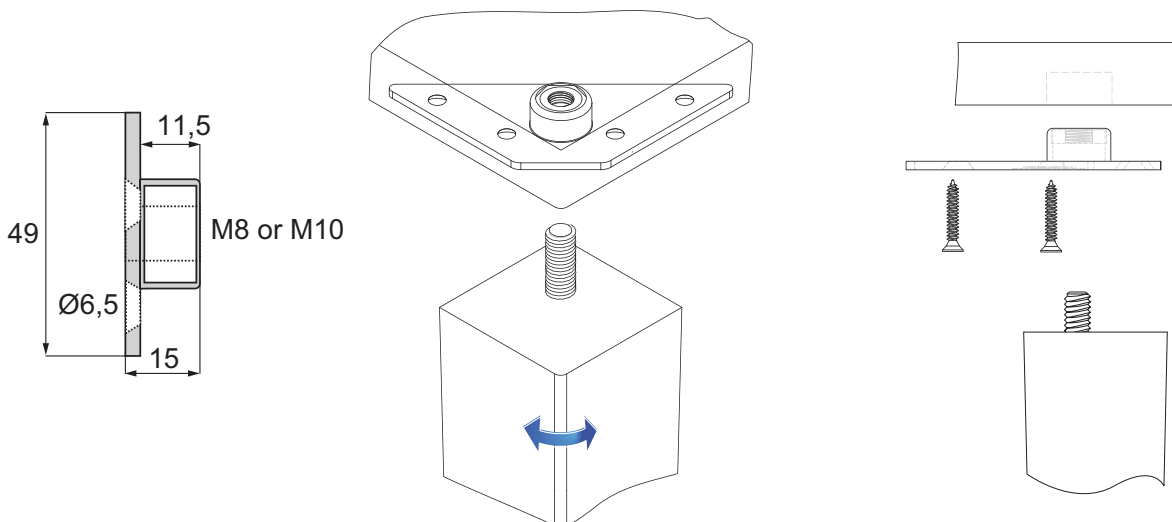


KEA SCREW-IN BUSHING TRIANGULAR PLATE W/SPRING-LOADED INTERNAL THREAD

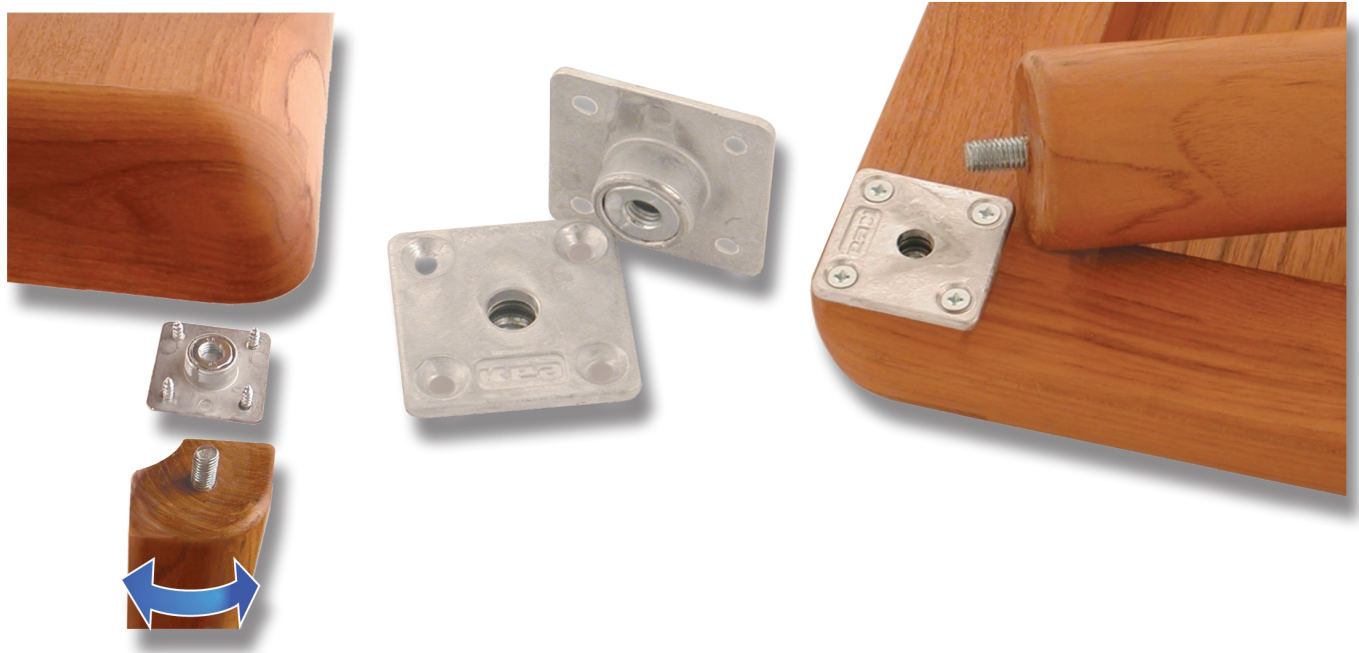


Material	Zamak, plain	
Size	123,5 x 33 x 65 mm	
Threaded hole	M8 & M10	
Item No.	M8	# 11.07.015
	M10	# 11.07.016

The triangular KEA has been tested by SP Swedish National Testing and Research Institute and has proven strong even for bed frame use

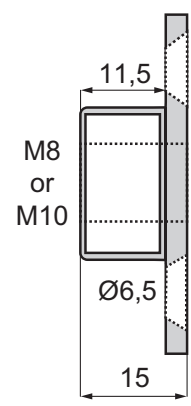
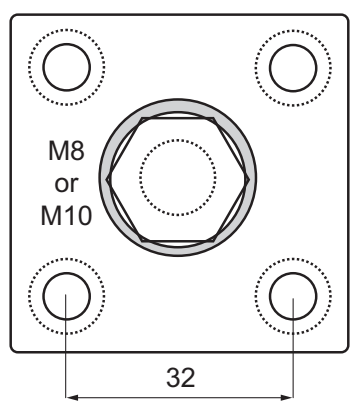
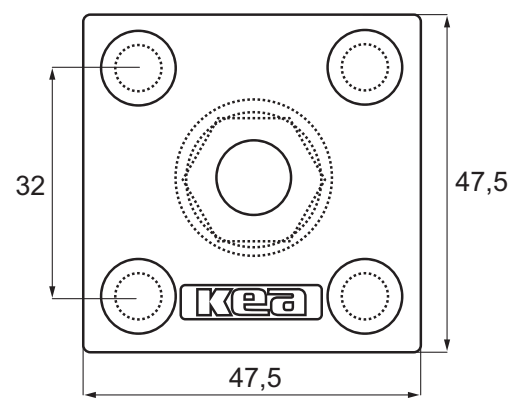
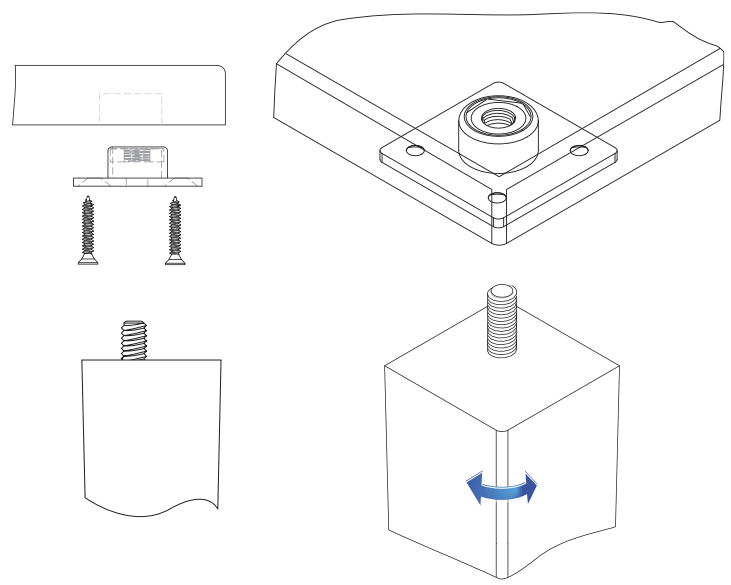


KEA SCREW-IN BUSHING



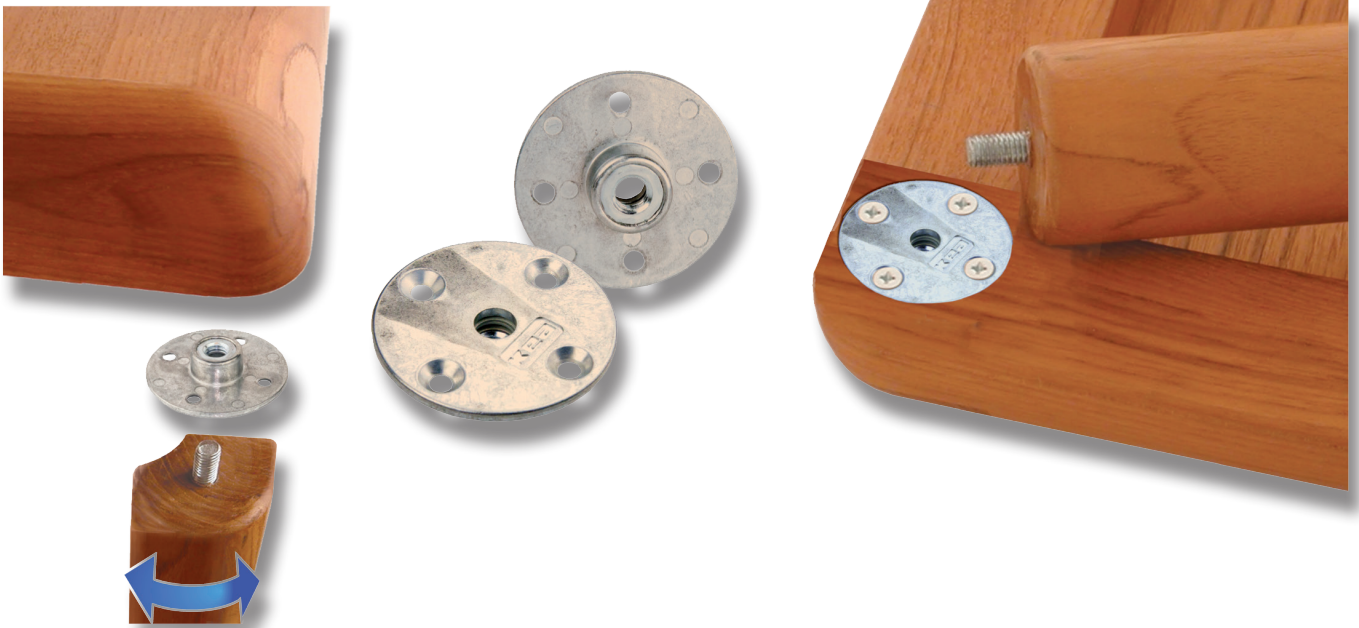
KEA SCREW-IN BUSHING
SQUARE PLATE
 W/SPRING-LOADED INTERNAL THREAD

Material	Zamak, plain	
Size	47,5 x 47,5 mm	
Threaded hole	M8 & M10	
Holes	c/c 32 mm	
Item No.	M8	# 11.07.001
	M10	# 11.07.002



KEA SCREW-IN BUSHING

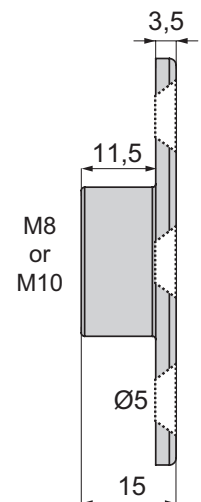
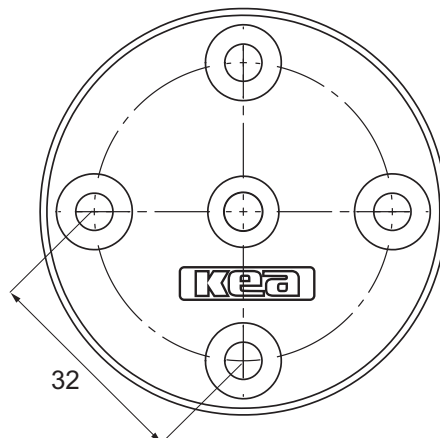
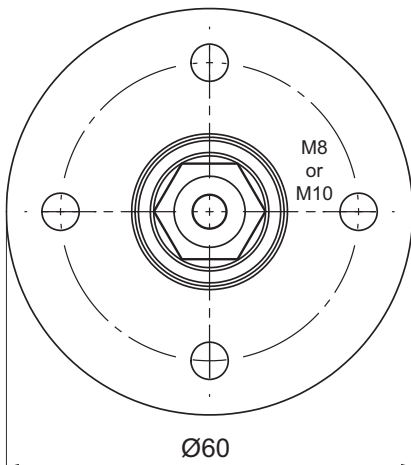
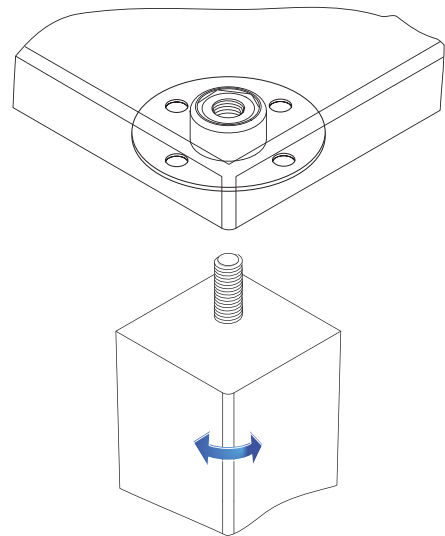
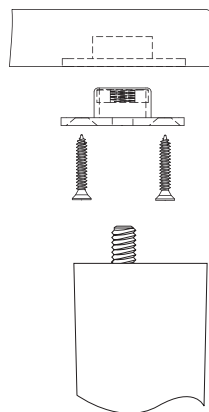
- high quality furniture fittings



KEA SCREW-IN BUSHING ROUND PLATE W/SPRING-LOADED INTERNAL THREAD

Material	Zamak, plain	
Size	Ø60 mm	
Threaded hole	M8 & M10	
Hole	c/c 32 mm	
Item No.	M8	# 11.07.005
	M10	# 11.07.006

Flush mounting
for strength

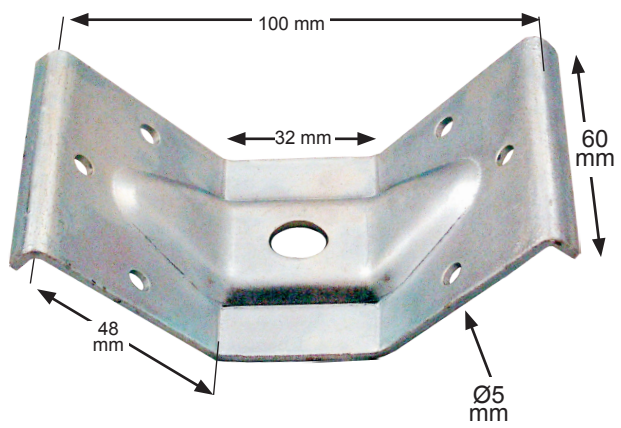


LEG CORNER BRACKETS

MODEL 21

Height: 60mm 1 Hole f/M8 or M10 Bolt

Steel thickness 1,5mm:
 Steel, Yellow Zinc, 6 micron # 11.07.035
 Steel, Bright Zinc # 11.07.030

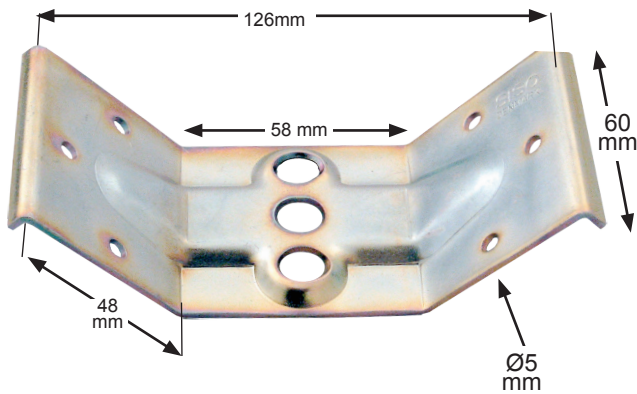


MODEL 22

Height: 60mm 1 or 3 Holes f/M8 or M10 Bolt

1 Hole:
 Steel thickness 2,0mm:
 Steel, Yellow Zinc, 6 micron # 11.07.042
 Steel, Bright Zinc # 11.07.040

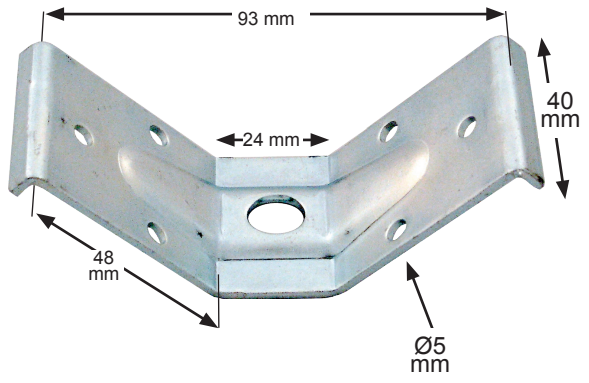
3 Holes:
 Steel thickness 2,0mm:
 Steel, Yellow Zinc, 8 micron # 11.07.043
 Steel, Bright Zinc # 11.07.041



MODEL 23

Height: 40mm 1 Hole f/M8 or M10 Bolt

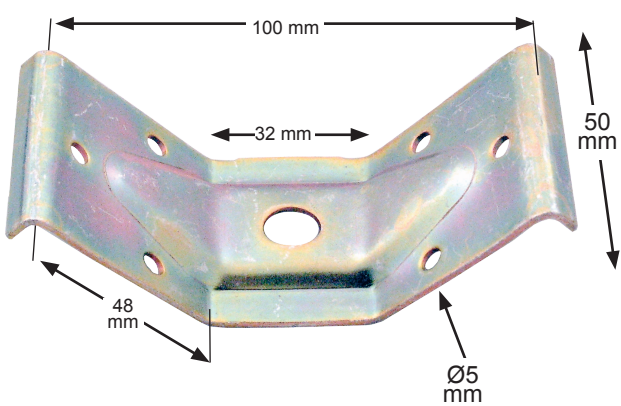
Steel thickness 1,5mm:
 Steel, Yellow Zinc, 6 micron # 11.07.051
 Steel, Bright Zinc # 11.07.050



MODEL 26

Height: 50mm 1 Hole f/M8 or M10 Bolt

Steel thickness 2,0mm:
 Steel, Yellow Zinc, 6 micron # 11.07.066
 Steel, Bright Zinc # 11.07.065



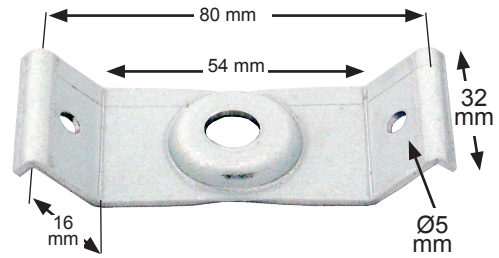
LEG CORNER BRACKETS

- high quality furniture fittings

MODEL 27

Height: 32mm 1 Hole f/M8 or M10 Bolt

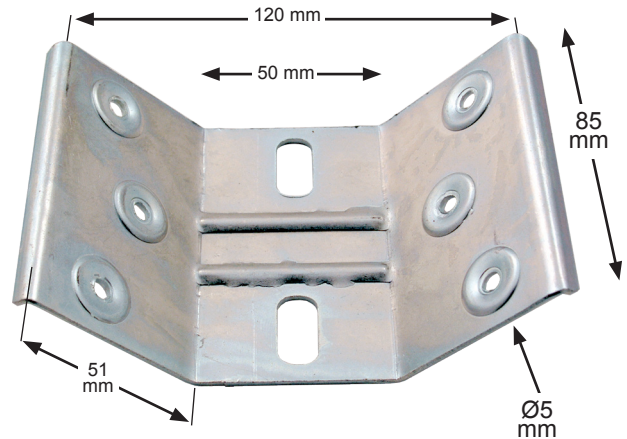
Steel thickness 2,0mm:
Steel, Bright Zinc # 11.07.070



MODEL 28

Height: 85mm 2 Holes f/M8 or M10 Bolt

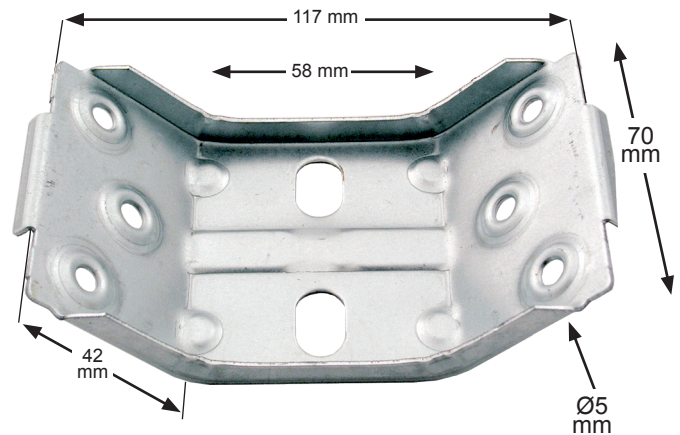
Steel thickness 2,0mm:
Steel, Bright Zinc # 11.07.076



MODEL 29

Height: 70mm 2 Holes f/M8 or M10 Bolt

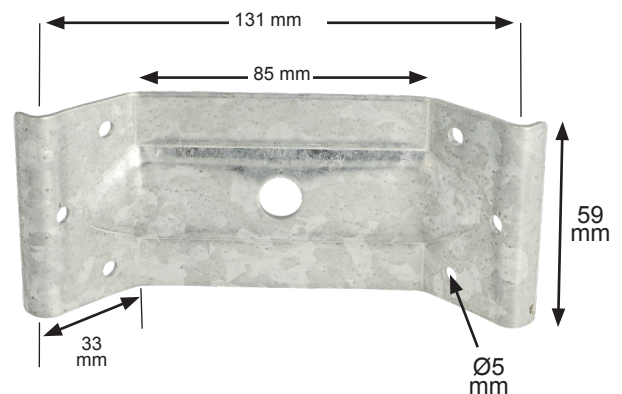
Steel thickness 1,5mm:
Steel, Bright Zinc # 11.07.081



MODEL 36

Height: 59mm 1 Hole f/M8 or M10 Bolt

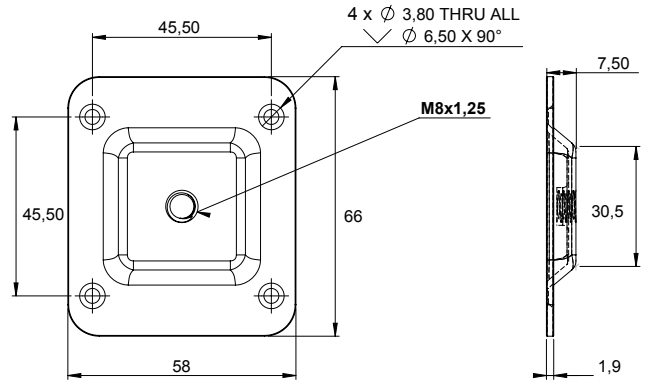
Steel thickness 2,0mm:
Steel, zinc plated # 11.07.140



LEG BRACKETS

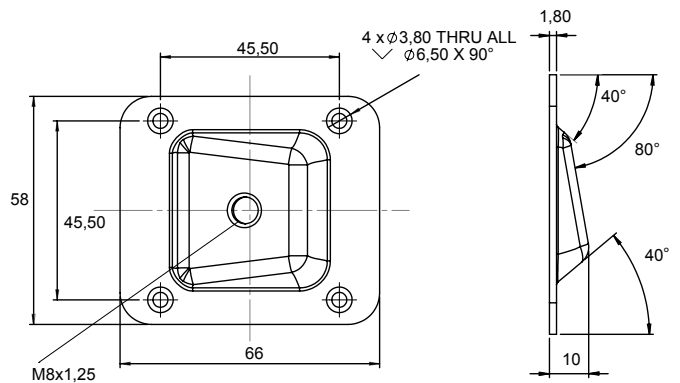
LEG BRACKET - FLAT

Material: Steel, Bright Zinc Plated
 Size: 66 x 58 x 1,8 mm
 Hole: M8
 Item No.: # 06.11.151



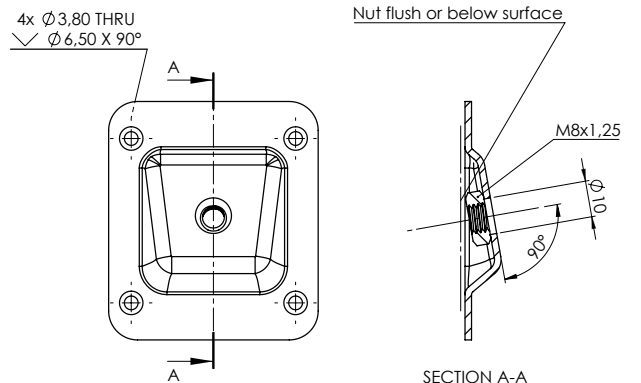
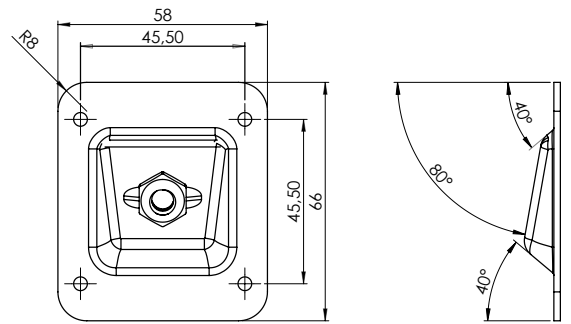
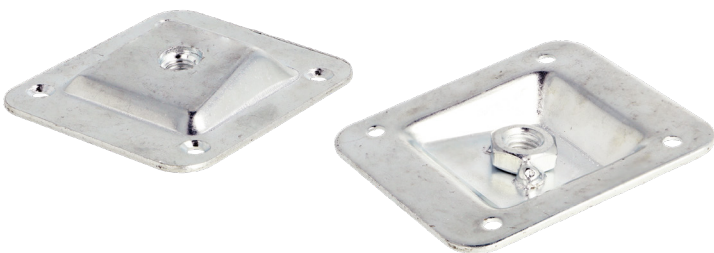
LEG BRACKET - 10 DEGREE ANGLE

Material: Steel, Bright Zinc Plated
 Size: 66 x 58 x 1,8 mm
 Hole: M8
 Item No.: # 06.11.150



LEG BRACKET - 10 DG - W/HEX NUT

Material: Steel, Bright Zinc Plated
 Size: 66 x 58 x 1,8 mm
 Hole: M8
 Item No.: # 06.11.152

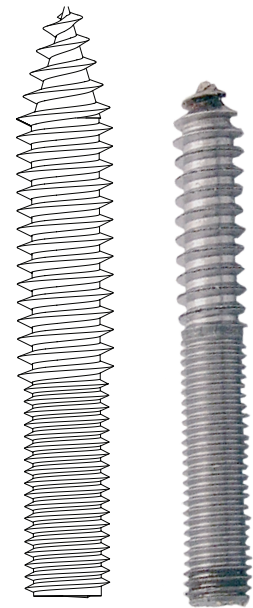


HANGERBOLTS

Material: Steel
Finish: Yellow Zinc or Bright Zinc

Size	Item No.:	Size	Item No.:
M4 x 25 mm	# 12.13.000	M8 x 100 mm	# 12.13.037/38
M4 x 50 mm	# 12.13.001	M10 x 50 mm	# 12.13.150
M6 x 50 mm	# 12.13.006/08	M10 x 60 mm	# 12.13.160/61
M6 x 60 mm	# 12.13.016/17	M10 x 70 mm	# 12.13.170
M8 x 50 mm	# 12.13.022/23	M10 x 80 mm	# 12.13.180
M8 x 60 mm	# 12.13.027	M10 x 90 mm	# 12.13.190
M8 x 70 mm	# 12.13.031/32	M10 x 100 mm	# 12.13.200
M8 x 80 mm	# 12.13.035	M10 x 120 mm	# 12,13.205

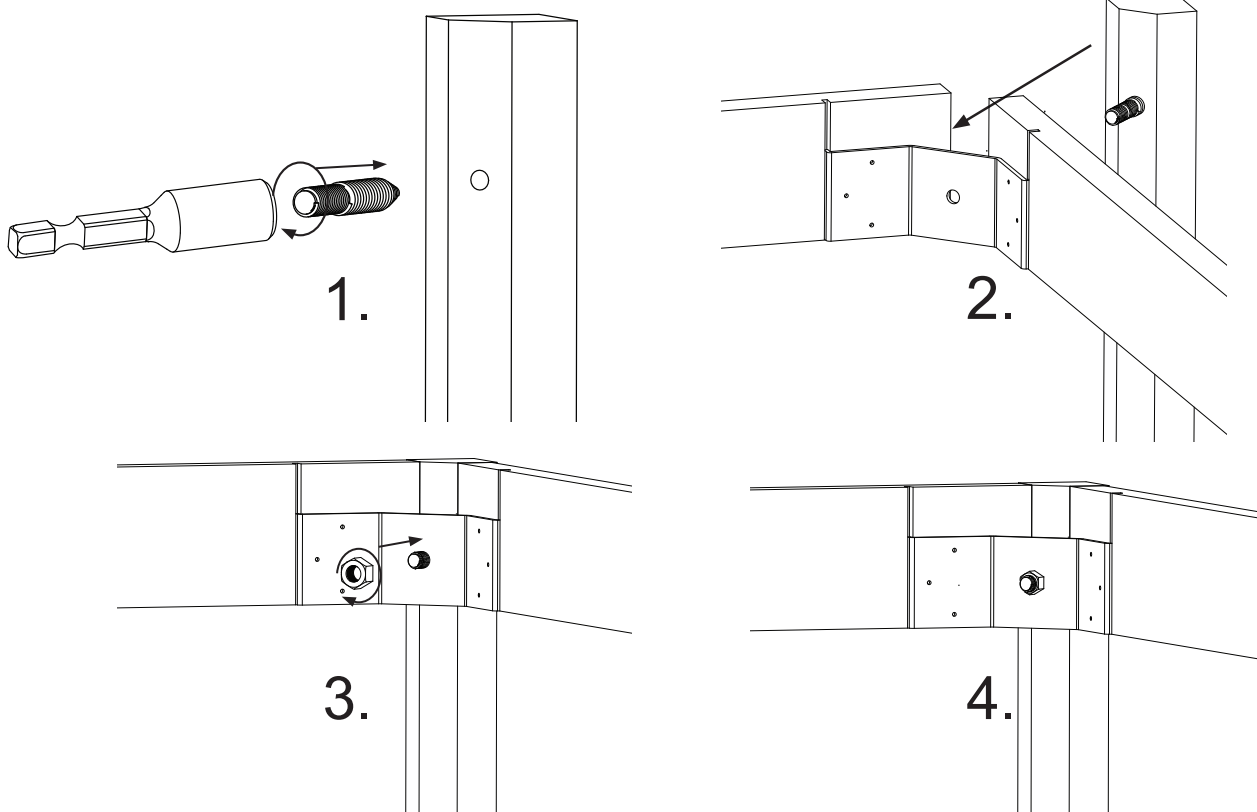
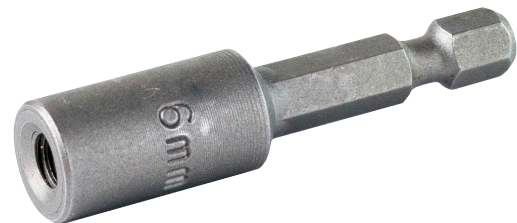
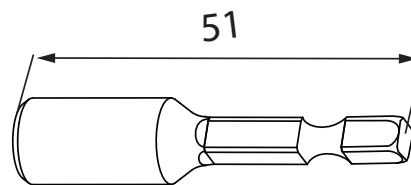
Other sizes on request



M4 to M10

TOOL FOR INSERTING HANGERBOLTS

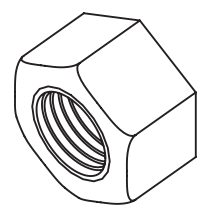
Size	Item No.:
M6	# 12.13.100
M8	# 12.13.105
M10	# 12.13.115



HEXAGONAL NUT, WING NUTS & WASHERS

HEXAGONAL NUT DIN 934

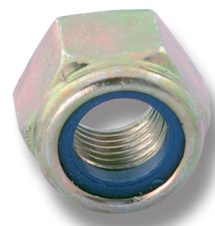
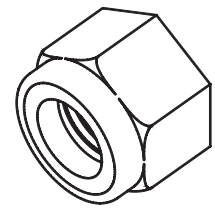
Material	Steel
Finish	Yellow zinc or bright zinc
Item No.	
Size	
M6	# 12.11.905/906
M8	# 12.12.015/016
M10	# 12.12.026/027



M6 to M10

HEXAGONAL NUT W/NYLON RING DIN 985

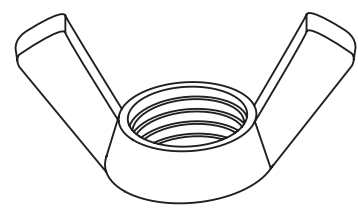
Material	Steel & nylon
Finish	Yellow zinc or bright zinc
Item No.	
Size	
M6	# 12.12.421
M8	# 12.12.440
M10	# 12.12.445



M6 to M10

WING NUT

Material	Steel
Finish	Yellow zinc or bright zinc
Item No.	
Size	
M6	# 12.12.050/051
M8	# 12.12.055/058
M10	# 12.12.060/061



M6 to M10

WASHERS

Material	Steel, Yellow Zinc Plated or Bright Zinc Plated, Brass, Natural Stainless Steel, Natural
Sizes	Inner diameter 6,4/8,4 & 10,5 mm
Type	Flat washer DIN 125-A Spring washer DIN 127 Serrated lock washer DIN 6798A
Item No.	12.13.294 etc.

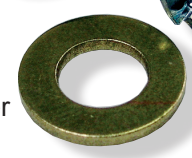
Spring washer



Serrated lock washer

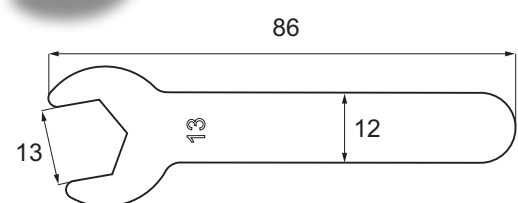


Flat washer



WRENCH KEY F/HEX NUTS

Material	Steel, yellow zinc plated
Hex	8 mm (other on request)
Item No.	
Hardened steel	# 12.06.155
Unhardened steel	# 12.06.150



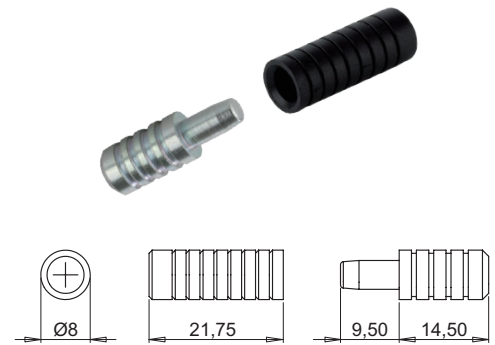
LOCATING PIN "SMAG"

Application:

Locating pin with integrated hold function. Ideal for connecting table tops, without using a classic table catch.

Material: Steel & plastic
Size: Ø8 x 36,30 mm
Finish: Yellow zinc plated & black

Item No.: Female # 11.06.865
 Male # 11.06.866



LOCATING PINS

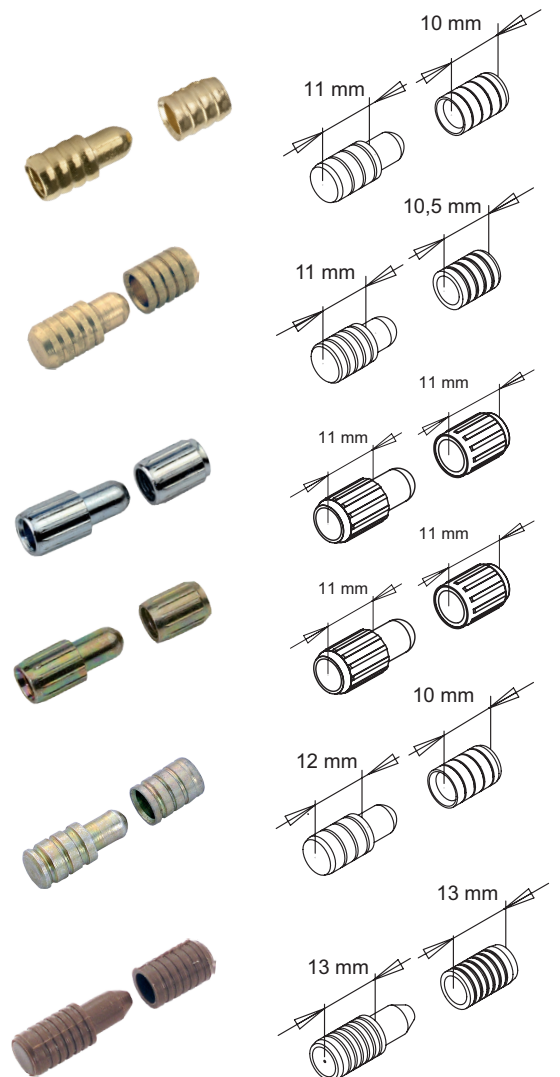
Material: Zamak
Size: Ø8 x 21 mm
Finish: Yellow Zinc 2-3 Micron
Item No.: Male & Female # 11.06.870

Material: Brass
Size: Ø8 x 21,5 mm
Finish: Natural
Item No.: Male # 11.06.855
 Female # 11.06.856

Material: Steel
Size: Ø8 x 22 mm
Finish: Yellow Zinc 12 Micron or Bright Zinc 3 Micron
Item No.: Male - BZP # 11.06.846
 Female - BZP # 11.06.845
 Male - YZP # 11.06.850
 Female - YZP # 11.06.849

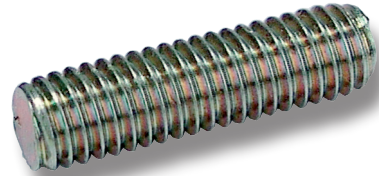
Material: Steel
Size: Ø8 x 22 mm
Finish: Yellow Zinc 12 Micron
Item No.: Male & Female # 11.06.851

Material: Nylon
Size: Ø8 x 26 mm
Finish: Brown
Item No.: Male # 11.06.890
 Female # 11.06.891



THREADED BOLTS

Material	Steel, yellow zinc plated (other finishes on request) Stainless Steel, Natural Brass, Natural
Thread	M6 or M8
Lengths	From 18 up to 1000 mm
Item No.	# 12.08.123 etc.



Steel, (YZP)

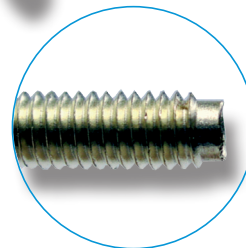
FIFTEEN SCREWS

Material	Steel, yellow zinc plated (other finishes on request) Stainless Steel AISI 316 Brass, Natural
Head size	Ø15 x 2,5 mm (Ø13 & 17 mm on request)
Hex size	4 mm
Thread	M6 (M8 on request)
Lengths	25/30/35/40/45/50/60/70/80/90/100 & 120 mm
Type	With 3 mm point or conical (see illustration)
Item No.	# 12.00.791 etc.



Stainless Steel
AISI 316

Steel, (YZP)



Conical



Point

FIFTEEN WOOD SCREWS

Material	Steel, yellow zinc plated (other finishes on request)
Head size	Ø15 x 2,5 mm
Hex size	4 mm
Thread	Ø6,3 mm
Lengths	40/50/60 & 70 mm (other sizes on request)
Type	With point (see illustration)
Item No.	# 12.01.340 etc.



Stainless Steel
AISI 316

Steel, (YZP)



Point

MUSHROOM SCREWS

Material	Steel, yellow zinc or black oxidized Other materials & finishes on request
Head size	Ø15 mm
Hex size	4 mm (5 mm on request)
Thread	M6 (M8 on request)
Lengths	12/16/20/23/30/32/38/45/50/60/63/90 mm (other lengths on request)
Type	Blunt (Point on request)
Item No.	# 12.03.110 etc.



Blunt

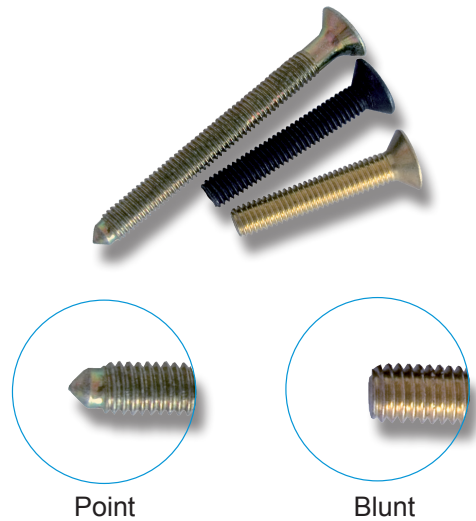
VARIOUS STAINLESS STEEL SCREWS, NUTS & WASHERS

Ask for any screw, nut & washer in stainless steel and we will quote you. No stock item. All on request



INSEX SCREWS

Material	Steel, yellow zinc, brass plated or black oxidized Other materials & finishes on request
Head size	Ø12 x 4 mm (counter sunk)
Hex size	4 mm
Thread	M6 (M8 and M10 on request)
Lengths	32/35/38/44/50/51/57/60/63/76/90/ 100/120/126 mm (other lengths on request)
Type	Pointed or blunt (see illustration)
Item No.	# 12.04.004 etc.



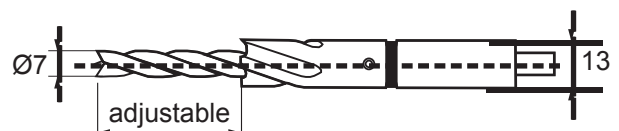
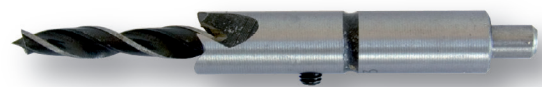
Point

Blunt

DRILL BIT F/INSEX SCREWS & COLLARS

Twin set boring bits for Ø7 mm and Ø13 mm in one operation

Item No. # 12.18.010



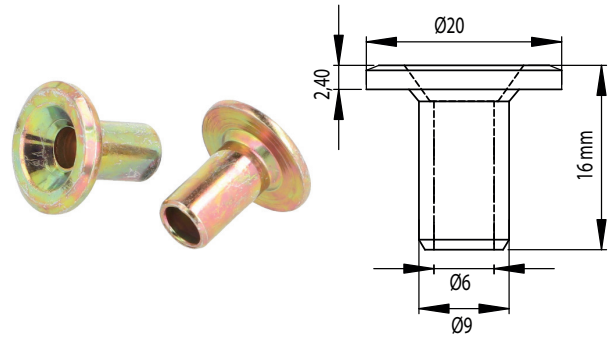
INSEX COLLARS & KEYS

INSEX COLLARS - STEEL W/SHAFT

Material: Steel, Yellow Zinc

Size: Ø 20 x 16 mm x M6

Item No.: # 12.05.070



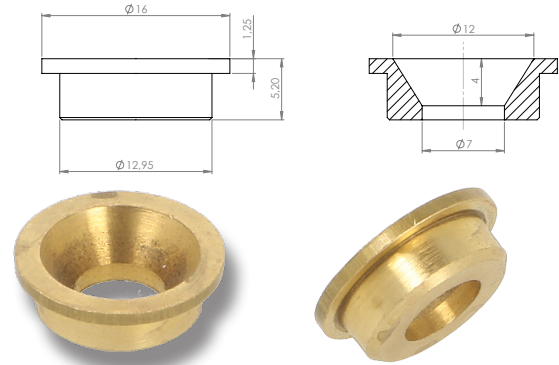
INSEX COLLARS - BRASS

Material: Brass

Size: Ø13 x 4 mm x M6

Item No.: # 12.05.050

Brass Natrual



INSEX KEYS

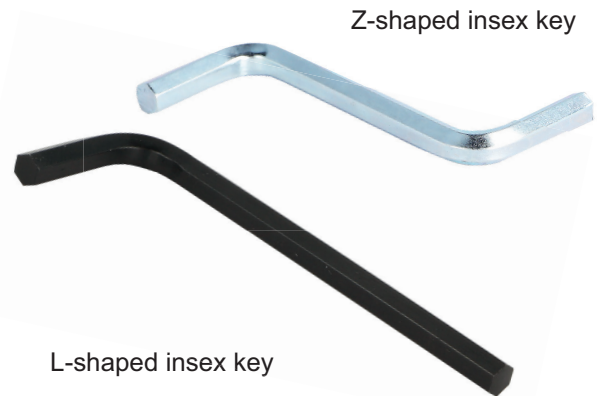
Material: Steel, hardened

Hex: 4 mm

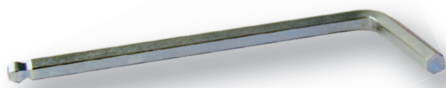
Finish: Bright zinc plated (BZP) or black zinc plated

Type: L-shaped or Z-shaped

Type	Size	Hex	Finish	Item No.
L-shaped	23 x 65 mm	4 mm	Black	# 12.06.010
L-shaped	28 X 65 mm	4 mm	BZP	# 12.06.015
L-shaped	31 X 75 mm	5 mm	BZP	# 12.06.021
Z-shaped	37 X 48 mm	4 mm	BZP	# 12.06.036
Z-shaped	39 X 48 mm	5 mm	BZP	# 12.06.040



INSEX KEY W/BALL POINT

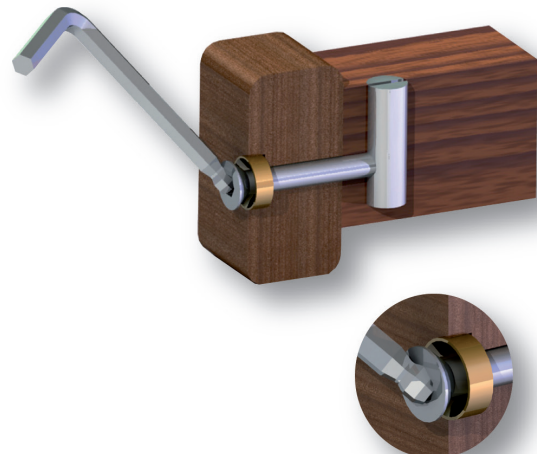


Material: Steel, bright zinc plated

Hex: 4 mm

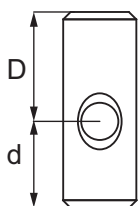
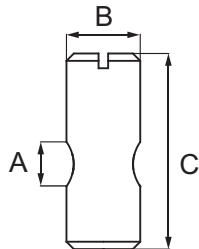
Type: L-shaped

Type	Size	Hex	Finish	Item No.
L-shaped	28 x 110 mm	4 mm	BZP	# 12.06.061





Bright zinc plated



Stainless steel



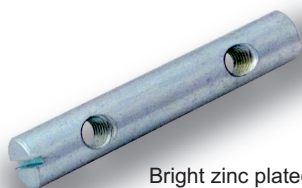
Brass

Yellow zinc plated

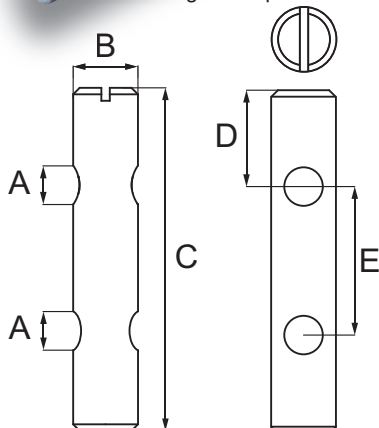
CROSS DOWELS

Material Steel, brass or stainless steel
Type With slot
Finish Steel, yellow zinc plated (YZP)
 Bright zinc plated (BZP), brass, natural
 Stainless steel, (SS), natural
D/d* Distance from centre of hole to edge

A	B	C	D/d*	Material	Finish	Item No.
M6	Ø 10 mm	13 mm	8/5 mm	Steel	Plain	# 12.07.006
M6	Ø 10 mm	14 mm	8/6 mm	Steel	BZP/YZP	# 12.07.030/31
M6	Ø 10 mm	14 mm	8/6 mm	Brass	Natural	# 12.07.041
M6	Ø 10 mm	14 mm	8/6 mm	SS	Natural	# 12.07.043
M6	Ø 10 mm	16 mm	10/6 mm	Steel	YZP	# 12.07.044
M6	Ø 10 mm	18 mm	12/6 mm	Steel	YZP/BZP	# 12.07.327/328
M6	Ø 10 mm	30 mm	20/10 mm	Steel	BZP	# 12.07.350
M6	Ø 10 mm	20 mm	10/10 mm	Steel	BZP/YZP	# 12.07.070/071
M6	Ø 10 mm	25 mm	12,5/12,5 mm	Steel	BZP	# 12.07.110
M6	Ø 10 mm	30 mm	15/15 mm	Steel	BZP	# 12.07.150
M6	Ø 10 mm	40 mm	20/20 mm	Steel	BZP	# 12.07.230
M6	Ø 10 mm	45 mm	22,5/22,5 mm	Steel	BZP	# 12.07.270
M8	Ø 12 mm	20 mm	10/10 mm	Steel	YZP	# 12.07.287
M8	Ø 12 mm	25 mm	12,5/12,5 mm	Steel	BZP	# 12.07.288
M8	Ø 12 mm	30 mm	15/15 mm	Steel	YZP	# 12.07.289
M8	Ø 12 mm	50 mm	25/25 mm	Steel	BZP/YZP	# 12.07.291/92
M8	Ø 12 mm	60 mm	30/30 mm	Steel	BZP	# 12.07.325



Bright zinc plated



CROSS DOWEL NO. 3250 W/2 HOLES

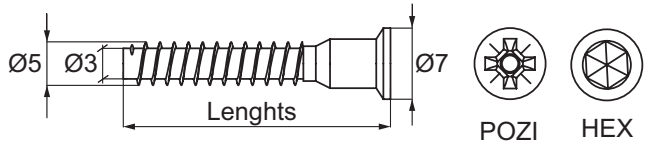
Material Steel
Type With slot
Finish Steel, Bright zinc plated (BZP)
D* Distance from centre of hole to edge

A	B	C	D*	E	Material	Finish	Item No.
M6	Ø 10 mm	60 mm	14 mm	c.c. 32 mm	Steel	BZP	# 12.07.465
M6	Ø 10 mm	60 mm	10 mm	c.c. 40 mm	Steel	BZP	# 12.07.500
M6	Ø 10 mm	82 mm	9 mm	c.c. 64 mm	Steel	BZP	# 12.07.570

CONFIRMAT SCREWS

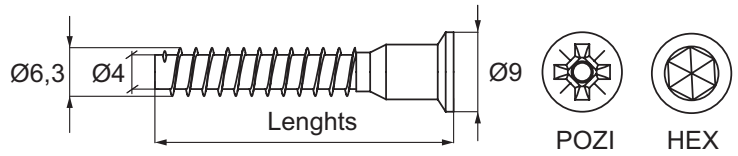
SCREWS Ø5 MM

Material	Steel, bright zinc plated (other materials & finishes on request)
Thread	Ø5 mm
Lengths	30/40 mm or 50 mm
Type	Pozidrive or 3 mm hex (see illustration) With & without hole for cover cap
Item No.	# 12.17.005 etc.



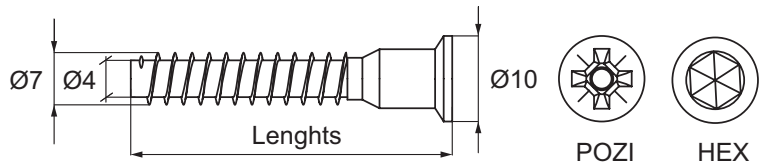
SCREWS Ø6,3 MM

Material	Steel, bright zinc plated (other materials & finishes on request)
Thread	Ø6,3 mm
Lengths	40 mm or 50 mm
Type	Pozidrive or 4 mm hex (see illustration) With & without hole for cover cap
Item No.	# 12.17.021 etc.



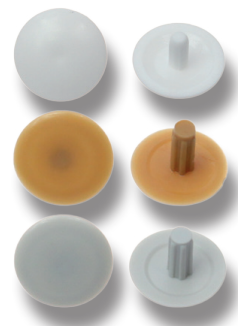
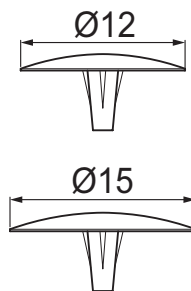
SCREWS Ø7 MM

Material	Steel, bright zinc plated (other materials & finishes on request)
Thread	Ø7 mm
Lengths	40/45/50/60/70/85 mm
Type	Pozidrive or 4 mm hex (see illustration) With & without hole for cover cap
Item No.	# 12.17.027 etc.

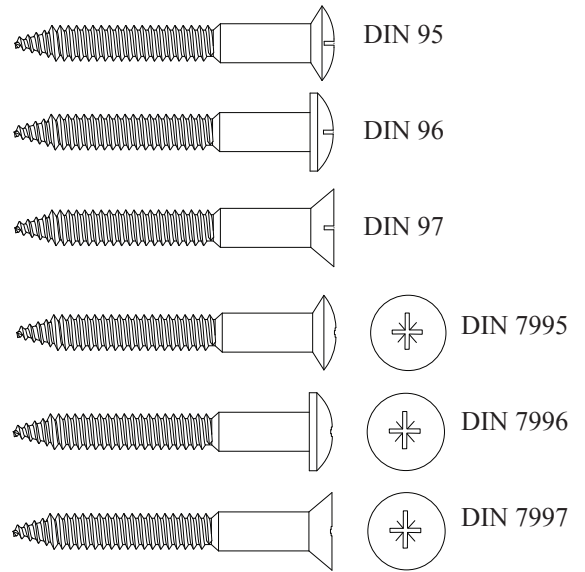


COVER CAPS F/SCREWS Ø5 MM, 6,3 MM & 7 MM

Material	Plastic, White, black, grey, brown, teak (other colours on request)
Size	Ø12 or Ø15 mm
Item No.	# 12.17.180 etc.

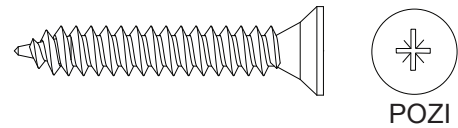


Material	Brass, Stainless Steel, Steel, Yellow Zinc Plated
Diameter	From Ø1,6 mm up to Ø6,0mm
Length	From 8 mm up to 120 mm
Type	Slotted with oval head DIN 95, round head DIN 96 or countersunk head DIN 97 Pozidrive with oval head DIN 7995, round head DIN 7996 or countersunk head DIN 7997
Item No.	11.07.603 etc.



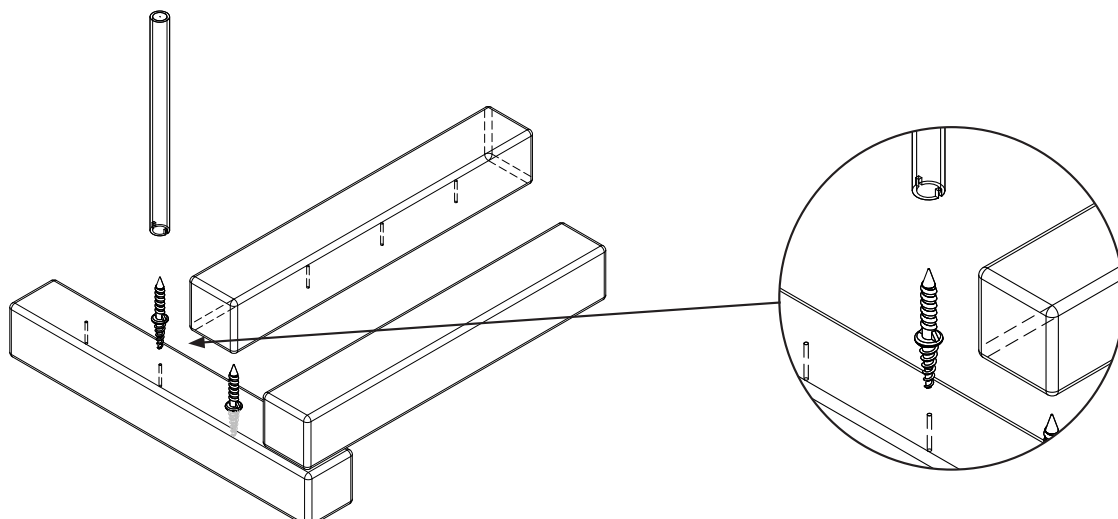
CHIPBOARD SCREWS DIN 7505

Material	Steel, Zinc Plated (other materials & finishes on request)
Thread	From Ø3 mm up to Ø6 mm
Lengths	From 12 mm up to 180 mm
Type	Pozidrive with countersunk head (see illustration)
Item No.	# 11.10.511 etc.
Packing	SISO box packing or bulk (see illustration)



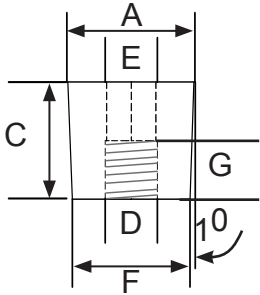
DOUBLE POINTED STEEL NAILS

Application	As a concealed connector for slats	
Material	Steel, Yellow Zinc Plated	
Sizes	Ø3,5 x 9 x 15 mm	# 12.20.040
	Ø4,0 x 13 x 18 mm	# 12.20.050
Mounting	By use of self-made steel tube with slot. Inner diameter Ø 3,5 - 4,0 mm. Tube is to be inserted into your drilling machine.	



BRASS COMBIFIX HEADS

BRASS COMBIFIX HEAD #1106 M6 WITHOUT COLLAR

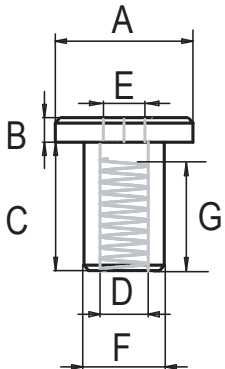


Material: Brass
 Finish: Brass, Natural
 Type: No collar but with 5 mm open hex hole



A	B	C	D	E	F	G	Item No.
Ø 13 mm	0 mm	10 mm	M6	5 mm	Ø 12 mm	5 mm	# 12.09.690

BRASS COMBIFIX HEAD #1007 M6 W/OPEN HEX HOLE

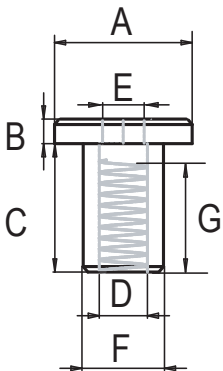


Material: Brass
 Finish: Brass, Natural
 Type: Flat head with 5 mm open hex hole



A	B	C	D	E	F	G	Item No.
Ø 12 mm	2 mm	10 mm	M6	5 mm	Ø 8 mm	7 mm	# 12.09.090

BRASS COMBIFIX HEAD #1011 M6 W/OPEN HEX HOLE

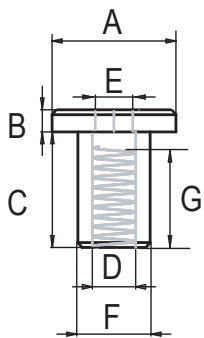


Material: Brass
 Finish: Brass, Natural
 Type: Flat head with 5 mm open hex hole



A	B	C	D	E	F	G	Item No.
Ø 15 mm	2,25 mm	9 mm	M6	5 mm	Ø 9 mm	7 mm	# 12.09.130

BRASS COMBIFIX HEAD #1012 M6 W/OPEN HEX HOLE

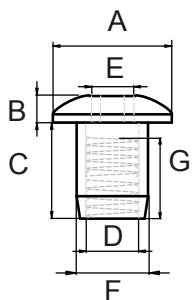


Material: Brass or Stainless Steel (SS) AISI 304
 Finish: Brass, Natural and SS, Natural
 Type: Flat head with 4 or 5 mm open hex hole



A	B	C	D	E	F	G	SS	Brass
Ø 15 mm	2,25 mm	11,75 mm	M6	5 mm	Ø 9 mm	8,5 mm	on request	# 12.09.170
Ø 15 mm	2,25 mm	11,75 mm	M6	4 mm	Ø 9 mm	7 mm	# 12.09.175	on request

BRASS COMBIFIX HEAD #1015 M6 W/OPEN HEX HOLE



Material: Brass or Stainless Steel (SS) AISI 304
 Finish: Brass, Natural and SS, Natural
 Type: Dome head with 5 mm open hex hole



A	B	C	D	E	F	G	SS	Brass
Ø 13 mm	2,50 mm	10,50 mm	M6	5 mm	Ø 8 mm	9 mm	# 12.09.265	# 12.09.250


BRASS COMBIFIX HEADS

- high quality furniture fittings

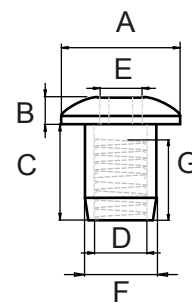


BRASS COMBIFIX HEAD #1015 M6 W/CLOSED HEX HOLE

Material: Brass
 Finish: Nickel Plated (NPL)
 Type: Dome head with 5 mm closed hex hole

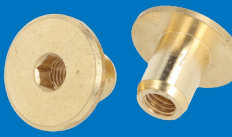


A	B	C	D	E	F	G	NPL
Ø 13 mm	3 mm	10 mm	M6	5 mm	Ø 8 mm	6 mm	# 12.09.252

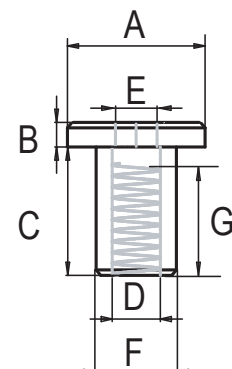


BRASS COMBIFIX HEAD #1031 M6 W/OPEN HEX HOLE

Material: Brass
 Finish: Brass, Natural
 Type: Flat head with 5 mm open hex hole

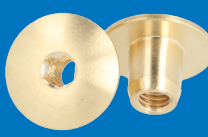


A	B	C	D	E	F	G	Item No.
Ø 19 mm	2 mm	12 mm	M6	5 mm	Ø 9 mm	10 mm	# 12.09.410

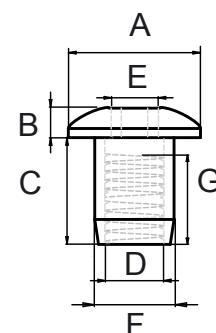


BRASS COMBIFIX HEAD #1046 M6 W/OPEN HEX HOLE

Material: Brass
 Finish: Brass, Natural
 Type: Dome head with 5 mm open hex hole

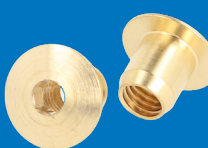


A	B	C	D	E	F	G	Item No.
Ø 19 mm	3 mm	10 mm	M6	5 mm	Ø 9 mm	7,5 mm	# 12.09.530

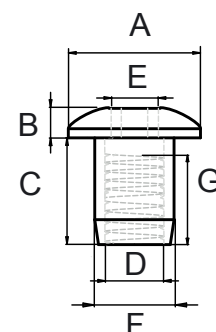


BRASS COMBIFIX HEAD #1060 M8 W/OPEN HEX HOLE

Material: Brass
 Finish: Brass, Natural
 Type: Dome head with 5 mm open hex hole




A	B	C	D	E	F	G	Item No.
Ø 17 mm	2,50 mm	11,5 mm	M8	5 mm	Ø 10 mm	8 mm	# 12.09.570

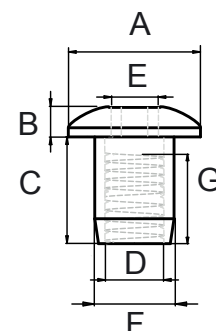


BRASS COMBIFIX HEAD #1062 M8 W/OPEN HEX HOLE

Material: Brass
 Finish: Brass, Natural
 Type: Dome head with 5 mm open hex hole

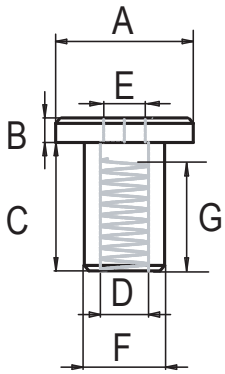


A	B	C	D	E	F	G	Item No.
Ø 30 mm	4 mm	7 mm	M8	5 mm	Ø 12 mm	6 mm	# 12.09.610



STEEL COMBIFIX HEADS

STEEL COMBIFIX HEAD # F-563 M6 W/CLOSED HEX HOLE

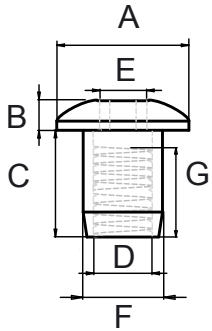


Material: Steel
 Finish: Brass Plated (BPL) or Yellow Zinc Plated 8 Micron (YZP)
 Type: Flat head with 4 or 5 mm closed hex hole



A	B	C	D	E	F	G	BPL	YZP
Ø 15 mm	2 mm	12 mm	M6	4 mm	Ø 9 mm	7 mm	# 12.09.750	# 12.09.696
Ø 15 mm	2 mm	12 mm	M6	5 mm	Ø 9 mm	7 mm	on request	on request
Ø 15 mm	2 mm	18 mm	M6	4 mm	Ø 9 mm	13 mm	on request	# 12.09.800
Ø 15 mm	2 mm	18 mm	M6	5 mm	Ø 9 mm	13 mm	# 12.09.802	on request

STEEL COMBIFIX HEAD # D-564 M6 W/CLOSED HEX HOLE

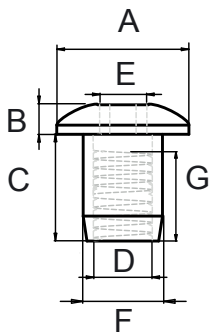


Material: Steel
 Finish: Nickel Plated (NPL)
 Type: Dome head with 5 mm closed hex hole

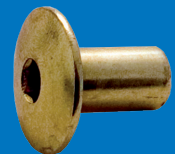


A	B	C	D	E	F	G	NPL
Ø 15 mm	2,5 mm	12 mm	M6	5 mm	Ø 9 mm	7 mm	# 12.09.829
Ø 15 mm	2,5 mm	15 mm	M6	5 mm	Ø 9 mm	10 mm	on request

STEEL COMBIFIX HEAD # D-597 M6 W/CLOSED HEX HOLE



Material: Steel
 Finish: Brass Plated (BPL)
 (other finishes on request)



Type: Dome head with 5 mm closed hex hole

A	B	C	D	E	F	G	BPL
Ø 20 mm	3 mm	16 mm	M6	5 mm	Ø 9 mm	12 mm	# 12.09.937

STEEL COMBIFIX HEADS

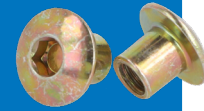
- high quality furniture fittings



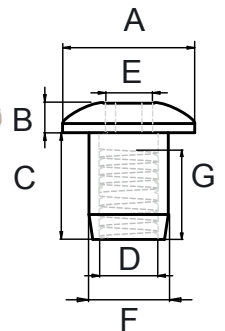
STEEL COMBIFIX HEAD # D-637 M6 W/CLOSED HEX HOLE

Material: Steel
 Finish: Yellow Zinc Plated 2-3 micron (YZP)
 (other finishes on request)

Type: Dome head with 5 mm Closed hex hole



A	B	C	D	E	F	G	YZP
Ø 15 mm	4 mm	8 mm	M6	5 mm	Ø 8 mm	5 mm	# 12.09.815



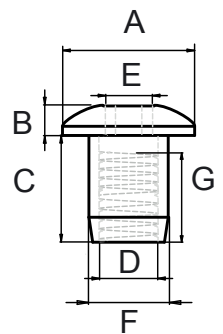
STEEL COMBIFIX HEAD # D-595 M8 W/CLOSED HEX HOLE

Material: Steel
 Finish: Brass Plated (BPL), Bronze Plated (BRZ)
 or Nickel Plated (NPL)

Type: Dome head with 5 mm closed hex hole



A	B	C	D	E	F	G	BPL	BRZ
Ø 20 mm	3 mm	16 mm	M8	5 mm	Ø 10 mm	12 mm	# 12.09.930	# 12.09.934
							NPL	
Ø 20 mm	3 mm	16 mm	M8	5 mm	Ø 10 mm	12 mm	# 12.09.933	



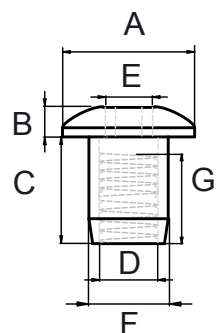
STEEL COMBIFIX HEAD # D-602 M10 W/CLOSED HEX HOLE

Material: Steel
 Finish: Nickel Plated (NPL)
 (other finishes on request)

Type: Dome head with 5 mm closed hex hole



A	B	C	D	E	F	G	NPL
Ø 20 mm	4 mm	13 mm	M10	5 mm	Ø 13 mm	9 mm	# 12.09.950

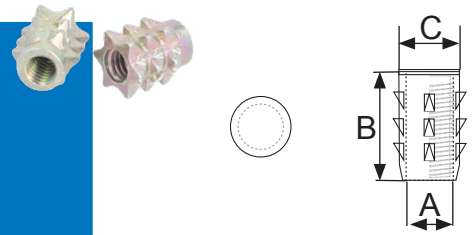


KNOCK IN BUSHING »A«

Material Zamak, Yellow Zinc Plated (YZP)

Type Knock in. No collar

A	B	C	Finish	Item No.
M4	10 mm	Ø5 mm	YZP	# 12.09.990

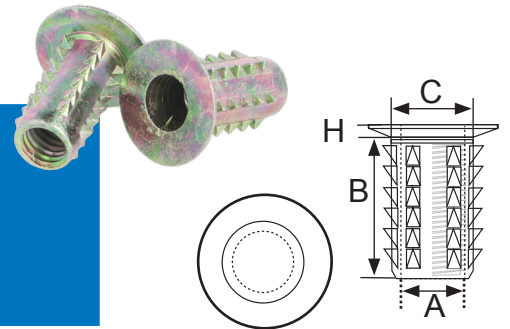


KNOCK IN BUSHING »BI«

Material Zamak, Yellow Zinc Plated (YZP)

Type Knock in. With countersunk collar

A	B	C	H = Head	Finish	Item No.
M8	20 mm	Ø10 mm	Ø19 x 3 mm	YZP	# 12.10.000

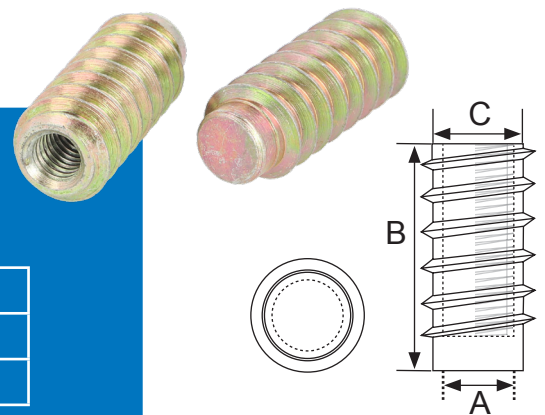


SCREW IN BUSHING »BL«

Material Steel, Yellow Zinc Plated (YZP)

Type Screw in by use of insert tool # 12.10.315.
Closed end & no collar

A	B	C	Finish	Item No.
M8	30 mm	Ø11,5 mm	YZP	# 12.10.179
M8	39 mm	Ø11,5 mm	YZP	# 12.10.180

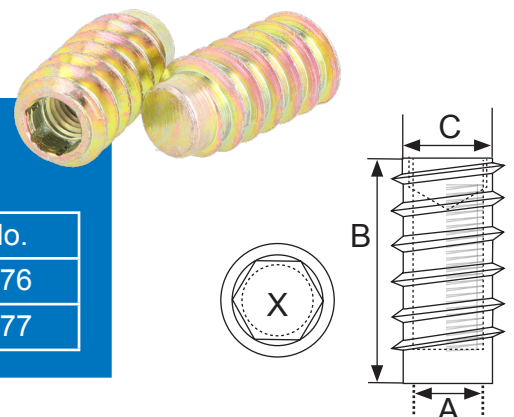


SCREW IN BUSHING »BL SK«

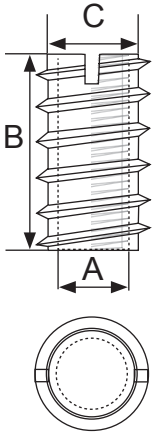
Material Steel, Yellow Zinc Plated (YZP)

Type Screw in by use of hex key. Closed end & no collar

A	B	C	X = Hex	Finish	Item No.
M8	30 mm	Ø11,5 mm	8 mm	YZP	# 12.10.176
M8	39 MM	Ø11,5 mm	8 mm	YZP	# 12.10.177

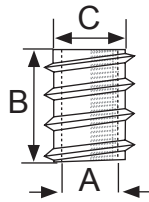


SCREW IN BUSHING »C«



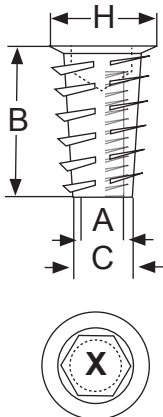
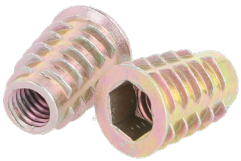
Material		Brass, Natural or Steel, Yellow Zinc Plated (YZP) or Bright Zinc Plated (BZP)					
Type		Screw in with slot. No collar					
A	B	C	Brass	A	B	C	YZP
M4	8,0 mm	Ø4,75 mm	# 12.10.002	M6	10 mm	Ø8 mm	# 12.10.075
M6	14,5 mm	Ø8 mm	# 12.10.106	M6	12 mm	Ø8 mm	# 12.10.095
A	B	C	BZP	M6	14,5 mm	Ø8 mm	# 12.10.105
M4	10 mm	Ø6 mm	# 12.10.008	M6	24 mm	Ø9 mm	# 12.10.109
M8	15 mm	Ø10 mm	# 12.10.151	M8	20 mm	Ø10 mm	# 12.10.175

SCREW IN BUSHING »CV«



Material		Steel, Yellow Zinc Plated (YZP)	
Type		Screw in by use of hex key. No collar	
A	B	C	YZP
M6	12 mm	Ø8 mm	# 12.10.096
M6	15 mm	Ø8 mm	# 12.10.097

SCREW IN BUSHING »D«



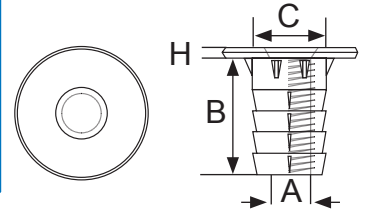
Material		Zamak, Yellow Zinc Plated (YZP)				
Type		Screw in by use of hex key. With collar				
A	B	C	H = Head	Finish	X = Hex	Item No
M4	10 mm	Ø5,5 mm	Ø8,5 mm	YZP	4 x 3,5 mm	# 12.10.185
M5	10 mm	Ø7 mm	Ø11 mm	YZP	5 x 3,5 mm	# 12.10.186
M6	10 mm	Ø8 mm	Ø12 mm	YZP	6 x 3,5 mm	# 12.10.188
M6	13 mm	Ø8 mm	Ø12 mm	YZP	6 x 3,5 mm	# 12.10.191
M6	16 mm	Ø8 mm	Ø12 mm	YZP	6 x 3,5 mm	# 12.10.195
M6	20 mm	Ø8 mm	Ø12 mm	YZP	6 x 3,5 mm	# 12.10.211
M8	13 mm	Ø10 mm	Ø14,5 mm	YZP	8 x 4,5 mm	# 12.10.215
M8	20 mm	Ø10 mm	Ø14,5 mm	YZP	8 x 5,5 mm	# 12.10.217
M10	25 mm	Ø12 mm	Ø16 mm	YZP	10 x 7,0 mm	# 12.10.219

KNOCK IN BUSHING »DR«

Material Steel, Yellow Zinc Plated (YZP) or Bright Zinc Plated (BZP)

Type Knock in. With collar

A	B	C	H = Head	YZP	BZP
M6	14 mm	Ø8,3 mm	Ø14 x 1,5 mm	On request	# 12.10.711
M8	16 mm	Ø10,5 mm	Ø19 x 2,5 mm	On request	# 12.10.720
M10	17 mm	Ø12,5 mm	Ø22 x 2,5 mm	# 12.10.730	# 12.10.731

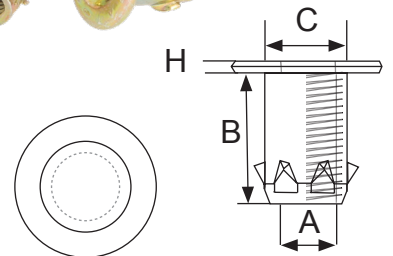


KNOCK IN BUSHING »DRN«

Material Steel, Yellow Zinc Plated (YZP) or Bright Zinc Plated (BZP)

Type Knock in. With collar

A	B	C	H = Head	YZP
M6	14 mm	Ø8,5 mm	Ø15 x 2 mm	# 12.10.712

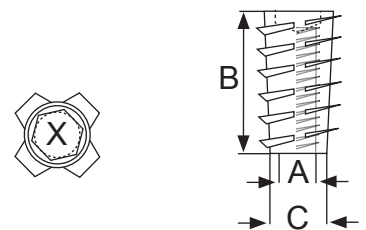
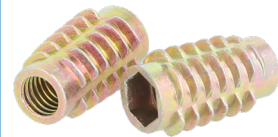


SCREW IN BUSHING »E«

Material Zamak, Yellow Zinc Plated (YZP)

Type Screw in by use of hex key. No collar

A	B	C	X = Hex	Item NO.
M6	13 mm	Ø7,5 mm	6 x 4,5 mm	# 12.10.222
M6	20 mm	Ø7,5 mm	6 x 5,7 mm	# 12.10.223
M8	13 mm	Ø10,5 mm	8 x 5,0 mm	# 12.10.225
M8	20 mm	Ø10,5 mm	8 x 5,5 mm	# 12.10.226
M8	25 mm	Ø10,5 mm	8 x 5,5 mm	# 12.10.227

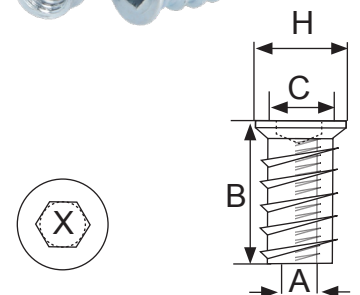


SCREW IN BUSHING »M«

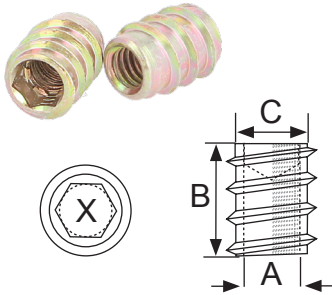
Material Steel, Bright Zinc Plated (BZP)

Type Screw in by use of hex key. With countersunk collar

A	B	C	X = Hex	H = Head	Item No.
M6	12 mm	Ø8 mm	6 X 2 mm	Ø9,8 mm	# 12.10.258
M6	12 mm	Ø8 mm	6 X 3 mm	Ø12 mm	# 12.10.259
M6	15 mm	Ø8 mm	6 X 3 mm	Ø12 mm	# 12.10.260
M6	20 mm	Ø8 mm	6 X 3 mm	Ø12 mm	# 12.10.265
M8	15 mm	Ø10 mm	8 X 3 mm	Ø14 mm	# 12.10.270
M8	20 mm	Ø10 mm	8 X 3 mm	Ø14 mm	# 12.10.290
M8	24 mm	Ø10 mm	8 X 3 mm	Ø14 mm	# 12.10.292
M10	20 mm	Ø13 mm	10 X 3 mm	Ø17 mm	# 12.10.293



SCREW IN BUSHING »SK«

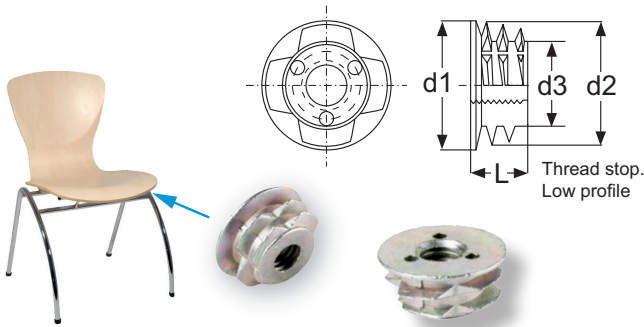


Material Steel, Yellow Zinc Plated (YZP) or Zamak (YZP)

Type Screw in by use of hex key. No collar

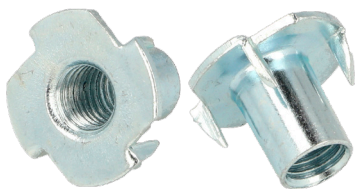
A	B	C	X = Hex	YZP	Material
M6	13,5 mm	Ø8,25 mm	6 x 3 mm	# 12.10.460	Steel
M6	15 mm	Ø8,5 mm	6 x 4,5 mm	# 12.10.461	Zamak

LOW PROFILE SCREW IN BUSHING



Thread size	M6x1
d1	16 mm
d2	15,1 mm
d3	10,2 mm
L	7 mm
Pilot hole size	Ø12,7-13,1 mm

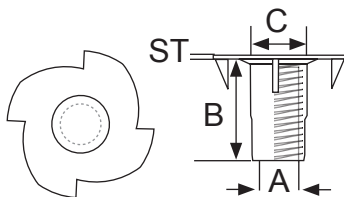
»T-NUT«



Material Steel, Bright Zinc Plated (BZP) or Plain
ST = Steel Thickness

Type Knock in, 4 Prongs

A	B	C	ST	Item No.	Finish
M4	5 mm	Ø6,5 mm	0,8 mm	# 12.11.001	BZP
M5	8 mm	Ø6,5 mm	0,8 mm	# 12.11.006	BZP
M6	8 mm	Ø7,5 mm	1,2 mm	# 12.11.011	BZP
M6	11 mm	Ø7,5 mm	1,2 mm	# 12.11.014	BZP
M6	15 mm	Ø7,5 mm	1,2 mm	# 12.11.017	BZP
M8	10 mm	Ø9,5 mm	1,2 mm	# 12.11.019	BZP
M8	15 mm	Ø9,5 mm	1,5 mm	# 12.11.021	Plain
M10	11 mm	Ø9,5 mm	1,5 mm	# 12.11.024	BZP
M10	16 mm	Ø11,75 mm	1,6 mm	# 12.11.027	BZP



TOOL FOR INSERTING SCREW IN BUSHING



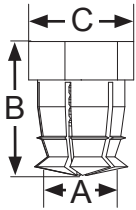
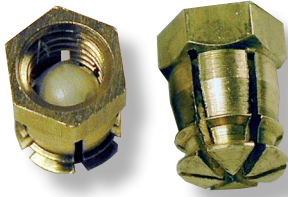
Material Steel

Type Tool for inserting screw in bushing

Thread	Item No.
M6	# 12.10.305
M8	# 12.10.315
M10	# 12.10.320

BUSHINGS

KNOCK IN BUSHINGS »EXPANSION«



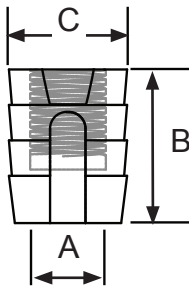
Material Brass, Natural

Type Knock in. Without plastic ball or with ball for extra expansion

A	B	C	Type	Item No.
M4	7,5 mm	5,5 mm	No ball	# 12.10.335
M4	10 mm	5,5 mm	No ball	# 12.10.330
M6	11,5 mm	8 mm	No ball	# 12.10.340
M6	11,5 mm	8 mm	With ball	# 12.10.345

Pulling power: 100 Kg.

NYLON KNOCK IN BUSHING »N«

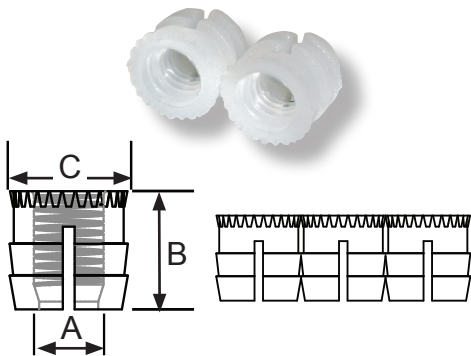


Material White nylon

Type Knock in. No collar. Closed end.

A	B	C	Colour	Item No.
M4	10 mm	Ø8 mm	White	# 12.11.315
M6	10 mm	Ø8 mm	White	# 12.11.410
M6	11 mm	Ø10 mm	White	# 12.11.420
M6	13 mm	Ø10 mm	White	# 12.11.440
M6	20 mm	Ø10 mm	White	# 12.11.465

NYLON EXPANSION BUSHING »STRIPS«

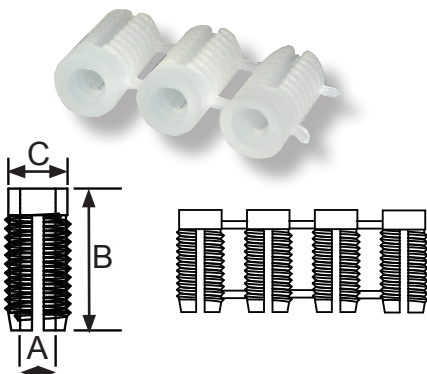


Material White nylon

Type Knock in. With knurled collar. In strips of 24 pcs.

A	B	C	Colour	Item No.
M6	13 mm	Ø10 mm	White	# 12.11.450

SELF-WINDING EXPANSION NYLON BUSHING



Material White nylon

Type Knock in. In strips of 30 pcs.

A	B	C	Colour	Item No.
Ø 3 mm	11,5 mm	Ø5,5 mm	White	# 12.11.351

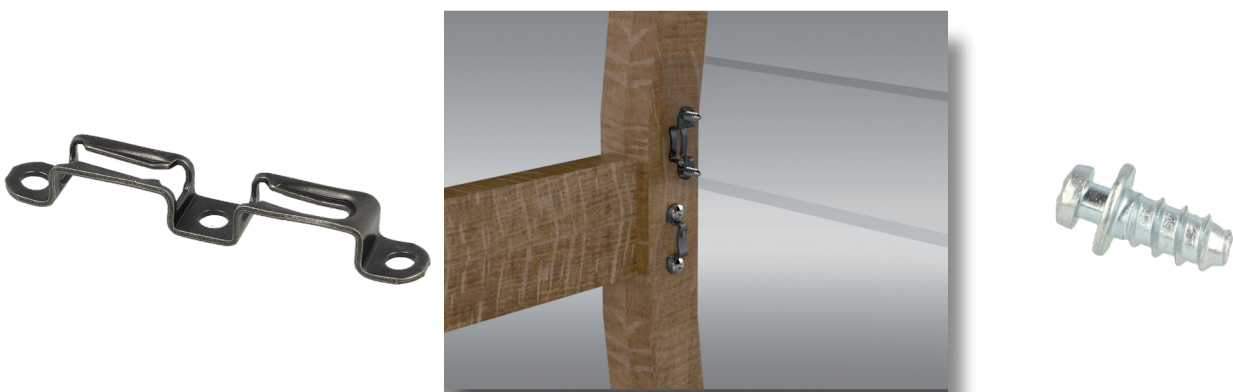
The patented "INVISIO" fastening System may be used in many different applications, such as cabinets, chairs and store fixtures

The system was developed to accomplish three specific objectives:

- To join panels securely together in such a manner that dimensional changes in the material or structure would not rupture or loosen the joints
- To achieve this objective with a fast and simple method of assembly, preferably without the need for tools
- To end up with a joint in which the fasteners are totally concealed



Patented in US, Canada, EU, Turkey & China



The "INVISIO" Fastening system meets these objectives by utilizing a spring steel declining ramp "Clip" and a large collared "Shoulder Screw" as the two mating members. Spring steel makes the joints strong, yet flexible, while the collar on the Shoulder Screw adds tremendous resistance to torsional pull-out. Assembly occurs by simply sliding the Shoulder Screw head down the Clip's ramp.

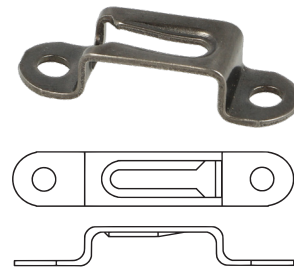
With the Clip located in its pocket, and the system assembled, no fasteners are visible!

SINGLE CLIPS – NON-LOCKING

Friction prevents the joint from disengaging.

Material Spring steel - black

Model No.	Panel thickness	Pocket width A	Item No.
4032	16 mm	11 mm	# 11.16.075
5032	19 mm	13,3 mm	# 11.16.135

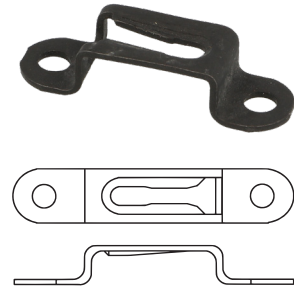


SINGLE CLIPS – SEMI-LOCKING

Friction and a narrowing runway prevent the joint from disengaging. Requires more force to disengage than Non-locking clips.

Material Spring steel - black

Model No.	Panel thickness	Pocket width A	Item No.
4035	16 mm	11 mm	# 11.16.085
5032A	19 mm	13,3 mm	# 11.16.140

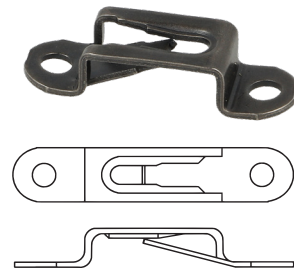


SINGLE CLIPS – LOCKING

A locking tab prevents the joint from disengaging. Locking tab must be turned with a flat blade screw driver for disengagement.

Material Spring steel - black

Model No.	Panel thickness	Pocket width A	Item No.
4034	16 mm	11 mm	# 11.16.080
5031	19 mm	13,3 mm	# 11.16.130

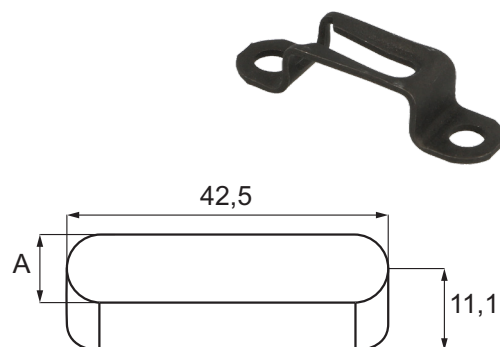
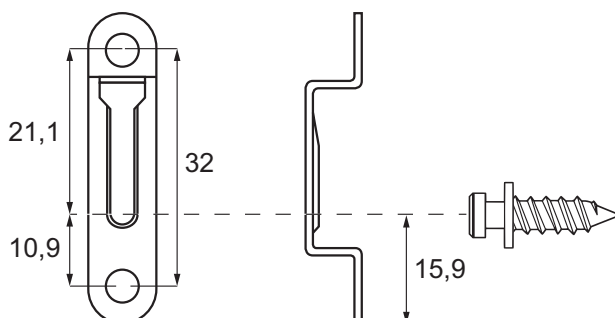
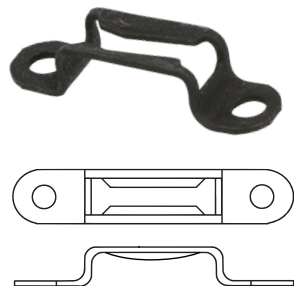


SINGLE CLIPS – PASS-THRU

Used in grooved edge with another clip as an alternative to pockets with windows.

Material Spring steel - black

Model No.	Panel thickness	Pocket width A	Item No.
4031	16 mm	11 mm	# 11.16.074
5030	19 mm	13,3 mm	On request



SINGLE "LOW POCKET DEPTH" CLIPS F/"INVISIO" KD-SYSTEM

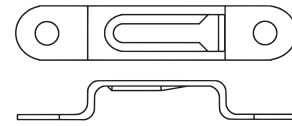
- high quality furniture fittings



SINGLE "LOW POCKET DEPTH" CLIPS NON-LOCKING

Friction prevents the joint from disengaging.
Material Spring steel - black

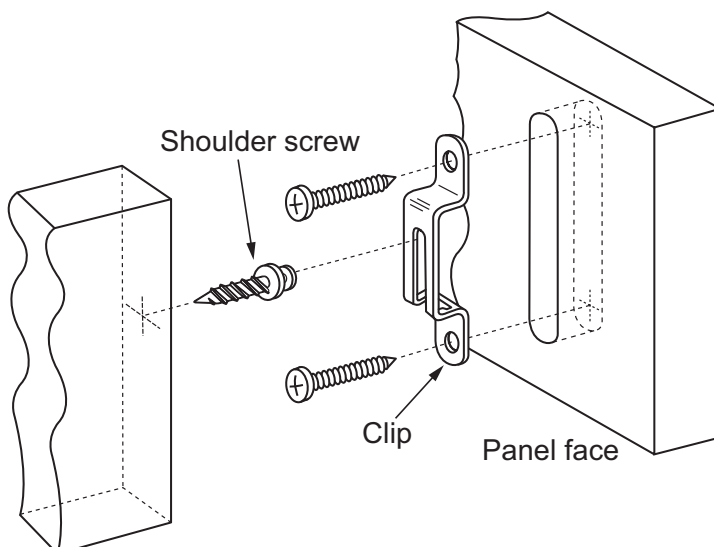
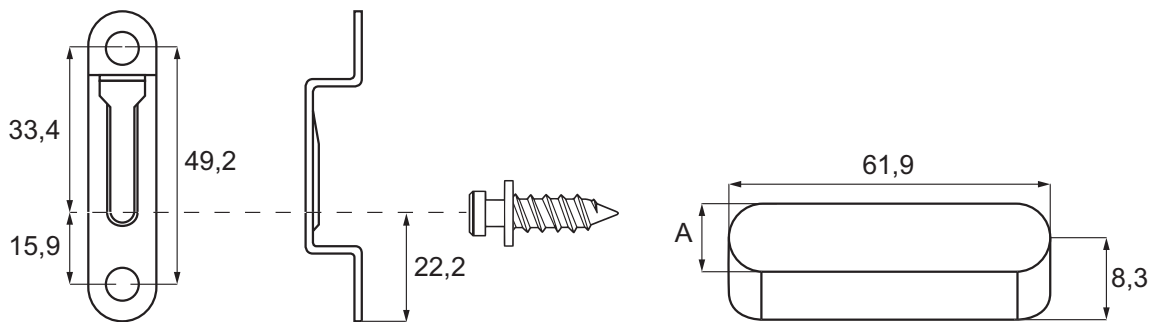
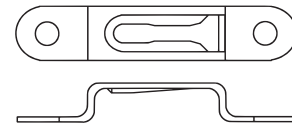
Model No.	Panel thickness	Pocket width A	Item No.
4060	16 mm	11 mm	# 11.16.095
4061	19 mm	13,3 mm	# 11.16.100



SINGLE "LOW POCKET DEPTH" CLIPS SEMI-LOCKING

Friction and a narrowing runway prevent the joint from disengaging.
Requires more force to disengage than Non-locking clips.

Model No.	Panel thickness	Pocket width A	Item No.
4062	16 mm	11 mm	# 11.16.105
4063A	19 mm	13,3 mm	# 11.16.110



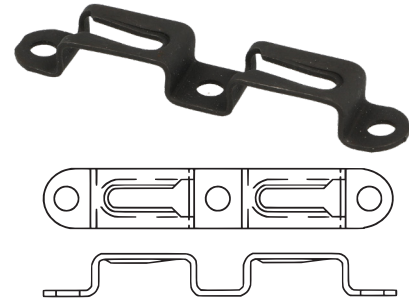
DOUBLE CLIPS F/"INVISIO" KD-SYSTEM

DOUBLE CLIPS – NON-LOCKING

Friction prevents the joint from disengaging.

Material Spring steel - black

Model No.	Panel thickness	Pocket width A	Item No.
4036	16 mm	11 mm	# 11.16.255
5033	19 mm	13,3 mm	# 11.16.145



DOUBLE CLIPS – SEMI-LOCKING/NON-LOCKING

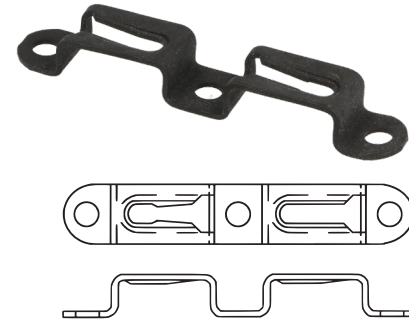
Friction and a narrowing runway prevent the joint from disengaging.

Requires more force to disengage than Non-locking clips.

1 hole with semi-locking and 1 without locking

Material Spring steel - black

Model No.	Panel thickness	Pocket width A	Item No.
4037	16 mm	11 mm	# 11.16.260
5035	19 mm	13,3 mm	# 11.16.155



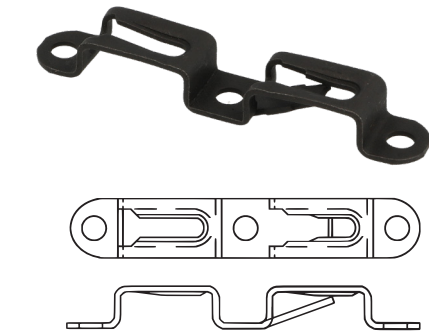
DOUBLE CLIPS – LOCKING/NON-LOCKING

A locking tab prevents the joint from disengaging. Locking tab must be turned with a flat blade screw driver for disengagement.

1 hole with locking and 1 non locking

Material Spring steel - black

Model No.	Panel thickness	Pocket width A	Item No.
4038	16 mm	11 mm	# 11.16.265
5034	19 mm	13,3 mm	# 11.16.150

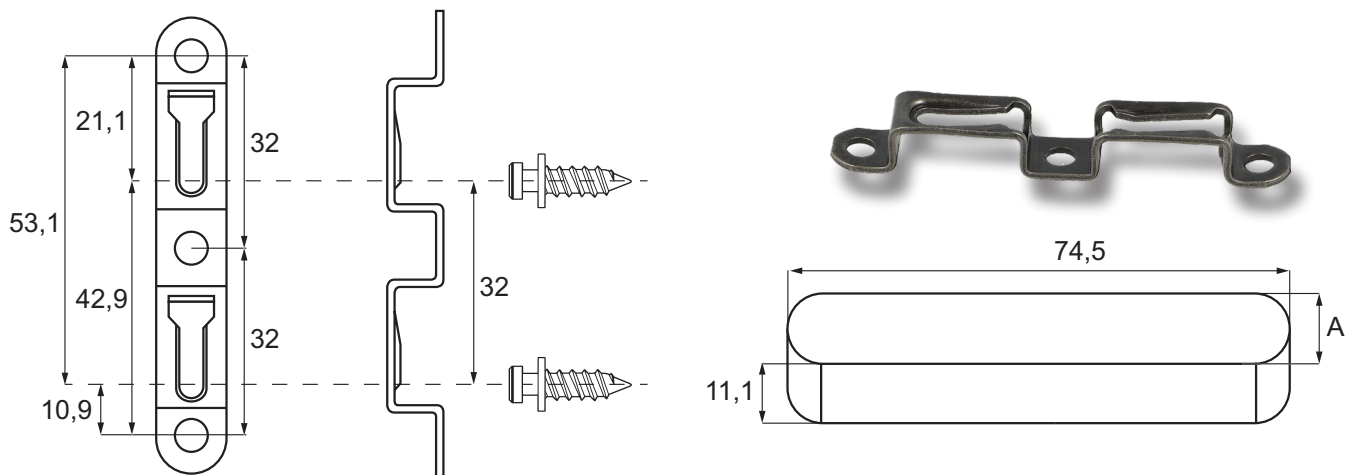
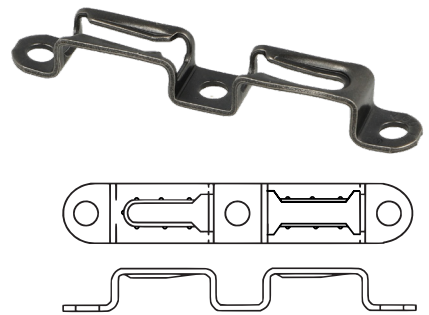


DOUBLE CLIPS – PASS-THRU/NON-LOCKING

Used in grooved edge with another clip as an alternative to pockets with windows. 1 hole pass-thru and 1 non locking

Material Spring steel - black

Model No.	Panel thickness	Pocket width A	Item No.
4039	16 mm	11 mm	# 11.16.263
5039	19 mm	13,3 mm	# 11.16.158



SHOULDER SCREWS F/"INVISIO" SINGLE & DOUBLE CLIPS

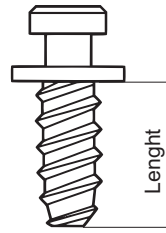
- high quality furniture fittings



BLUNT STEEL SCREWS

F/Ø 5 mm pre-drilled holes with windows.

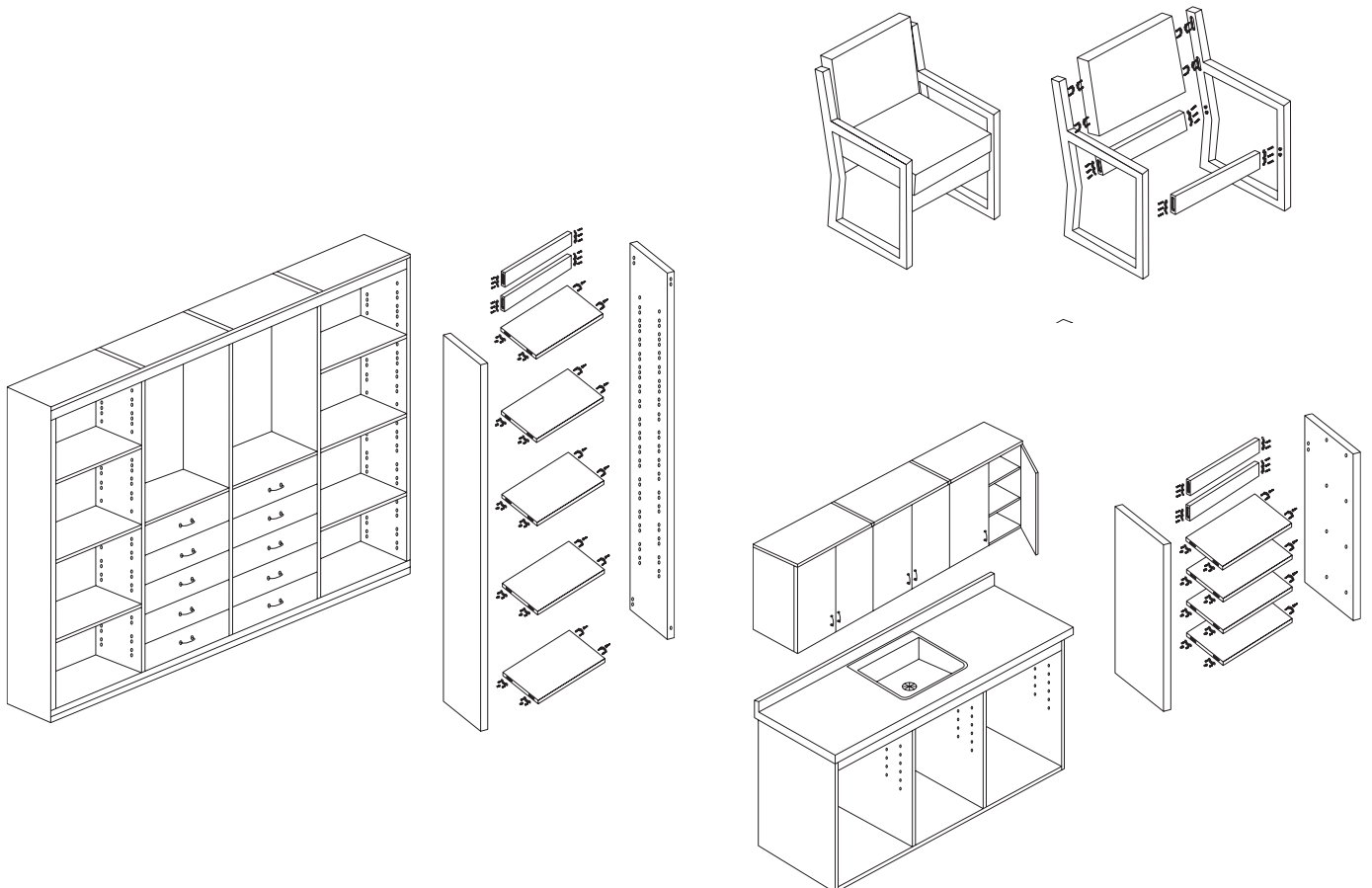
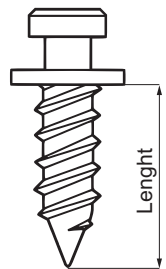
Size	Model	Item No.
Ø 5 x 10 mm	2053	# 11.16.040
Ø 5 x 12,7 mm	2055	# 11.16.045



POINTED STEEL SCREWS

F/Ø 4 & 5 mm pre-drilled holes.

Size	Model	Item No.
Ø 4 x 11 mm	5067	# 11.16.235
Ø 4 x 13 mm	1065	# 11.16.250
Ø 4 x 16 mm	1165	# 11.16.030
Ø 4 x 22 mm	5070	# 11.16.245
Ø 4 x 32 mm	5068	# 11.16.225
Ø 4 x 29 mm	5069	# 11.16.230
Ø 5 x 16 mm	2155	# 11.16.070
Ø 5 x 22 mm	6069	# 11.16.310



"INVISIO" ANTI ROTATING CLIPS

The 32 mm anti rotating clips are designed to go into a rail with open pocket as narrow as 13 mm using the 2000 clip series and 19 mm using the 5000 clip series. It provides a tight concealed joint over a wide range of pocket depths.

It may be used in many different applications such as cabinets, chairs, tables & store fixtures.

The clip system is available in 2 versions. Non-locking and Locking.

ANTI ROTATING CLIPS – NON-LOCKING

Friction prevents the joint from disengaging.

Material Spring steel - black

Model No.	Panel thickness	Pocket width A	Pocket width B	Item No.
2075 - male	16 mm	12,7 mm	14 mm	# 11.16.050
2076 - female	16 mm	12,7 mm	14 mm	# 11.16.051
5075 - male	19 mm	13,3 mm	12,1 mm	# 11.16.400
5076 - female	19 mm	13,3 mm	12,1 mm	# 11.16.401

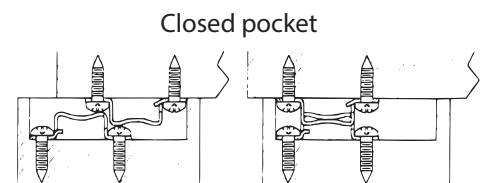
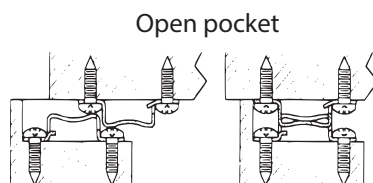
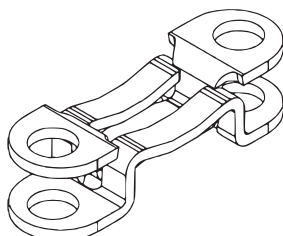
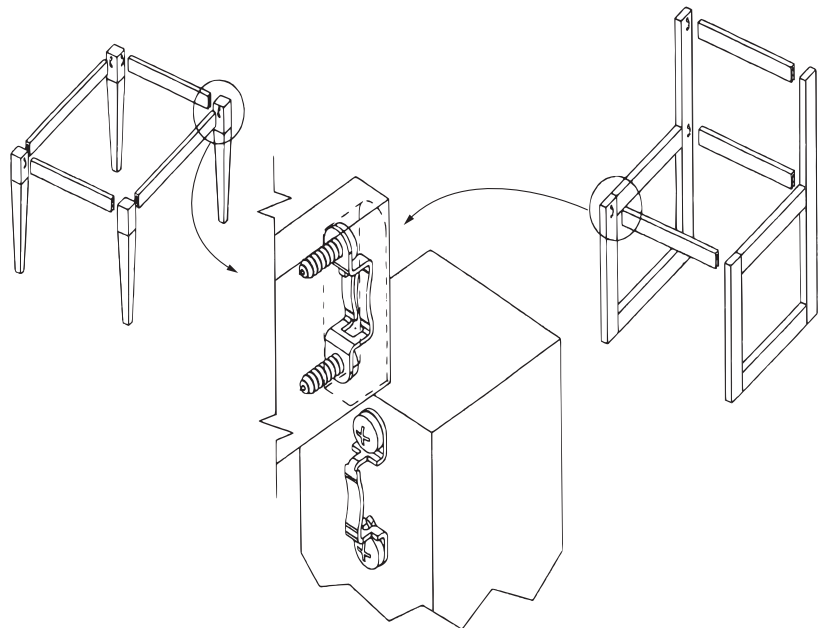
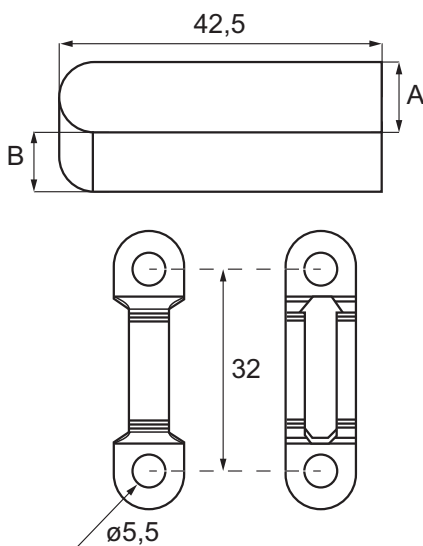


ANTI ROTATING CLIPS – LOCKING

A locking tab prevents the joint from disengaging. Locking tab must be turned with a flat blade screw driver for disengagement.

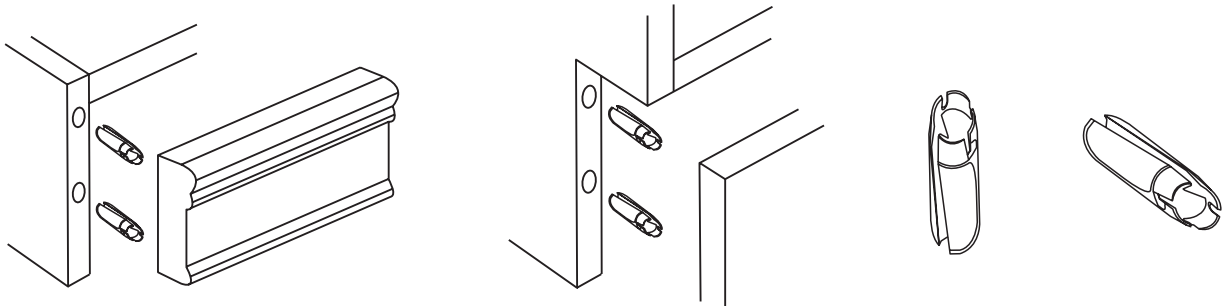
Material Spring steel - black

Model No.	Panel thickness	Pocket width A	Pocket width B	Item No.
5073 - male	19 mm	13,3 mm	12,1 mm	# 11.16.390
5074 - female	19 mm	13,3 mm	12,1 mm	# 11.16.391



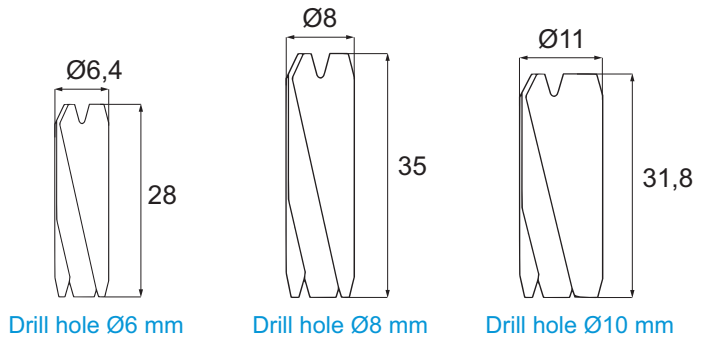
Compression dowels are just right for fastening decorative trim pieces like partition top caps, chair arms, toe kicks etc. Used with wood dowels, the compression dowels function as an internal clamp until the glue sets.

Surface mount dowels feature a closed end that can be screwed down with a #10 pan headed screw. This allows the dowel to stay fastened to the proper member during disassembly.



COMPRESSION DOWELS

Material		Spring steel - black	
Size	Model	Item No.	
ø 6,4 x 28 mm	5052A	# 11.16.170	
ø 8 x 35 mm	5053A	# 11.16.176	
ø 11 x 31,8 mm	5055	# 11.16.180	



QUICK DOWEL CABINET CONNECTOR

QUICK DOWEL CABINET CONNECTOR

Material

Steel, bright zinc plated & black plastic

Consists of 2 parts

Dowel w/wood thread & knock-in plastic bushing

Size

Dowel ø 8 x 39,5 mm, ø 5 mm wood thread

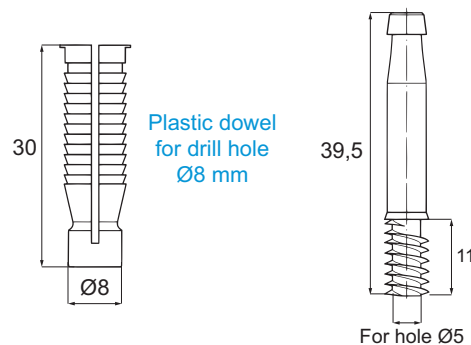
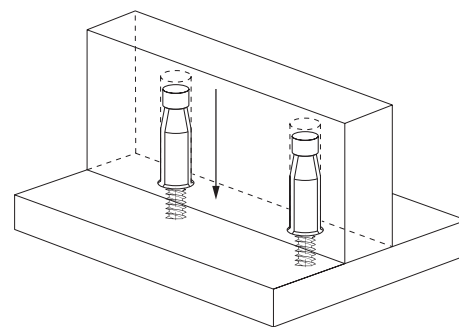
Bushing

ø 8 x 30 mm

Item No.

Dowel # 11.16.530

Bushing # 11.16.531



NOTES

A series of horizontal dotted lines for writing notes.



- high quality furniture fittings

Item No.: 99.00.004 19.01.2024

SISO A/S

Mileparken 11 Phone: (+45) 45 830 900
DK - 2740 Skovlunde (Copenhagen) E-mail: siso@siso.dk
Denmark Web: www.siso.dk