

Modular Systems

2023 COLLECTION

ELECTRIFIED
MODULAR SYSTEMS
COMPLETE WITH
INTEGRATED LIGHT
CUSTOMIZABLE
AND VERSATILE



We make your projects shine

We optimize the quality and effect of light on objects, in order to enhance the visual and emotional experience of your customers.

We are the professional partner to become an integrated part of your furnishing projects, developing ergonomic solutions where the technological, light and aesthetic aspects are fully merged and work in unison.

We light up your Retail Space

Versatile and wide integrated light solutions are ideal for any type of environments.

Making lighting effective in exhibition spaces requires in-depth knowledge of both the modularity needs of commercial furniture and the intended use.

The management and maintenance of the exhibition spaces must be simplified and the light source, in addition to being integrated with the furnishings, must correctly illuminate the exhibited object.

Our know-how of over 50 years allows us to design, propose and realise turnkey electrified modular systems that are easy-to-install, integrated with light. Wiring is integrated: tracks, connectors, drivers, fixing systems and light sources are part of a system, designed specifically for display facilities.

We offer latest generation high-efficiency LED lights for greater brightness and lower power consumption and solutions with light sources with a color rendering index higher than 95, preferring greater visual comfort over the perception of colours.

Moreover, to the already consolidated collaboration with the major international shelving manufacturers, we support you in the co-development of custom projects that integrate perfectly into existing structures.



Bespoke lighting projects

One-stop solutions provider for integrated lighting solution

INTEGRATED TRACK CONNECTOR

CUSTOMIZED ELECTRIFIED TRACK

DEDICATED LAMP CONNECTOR

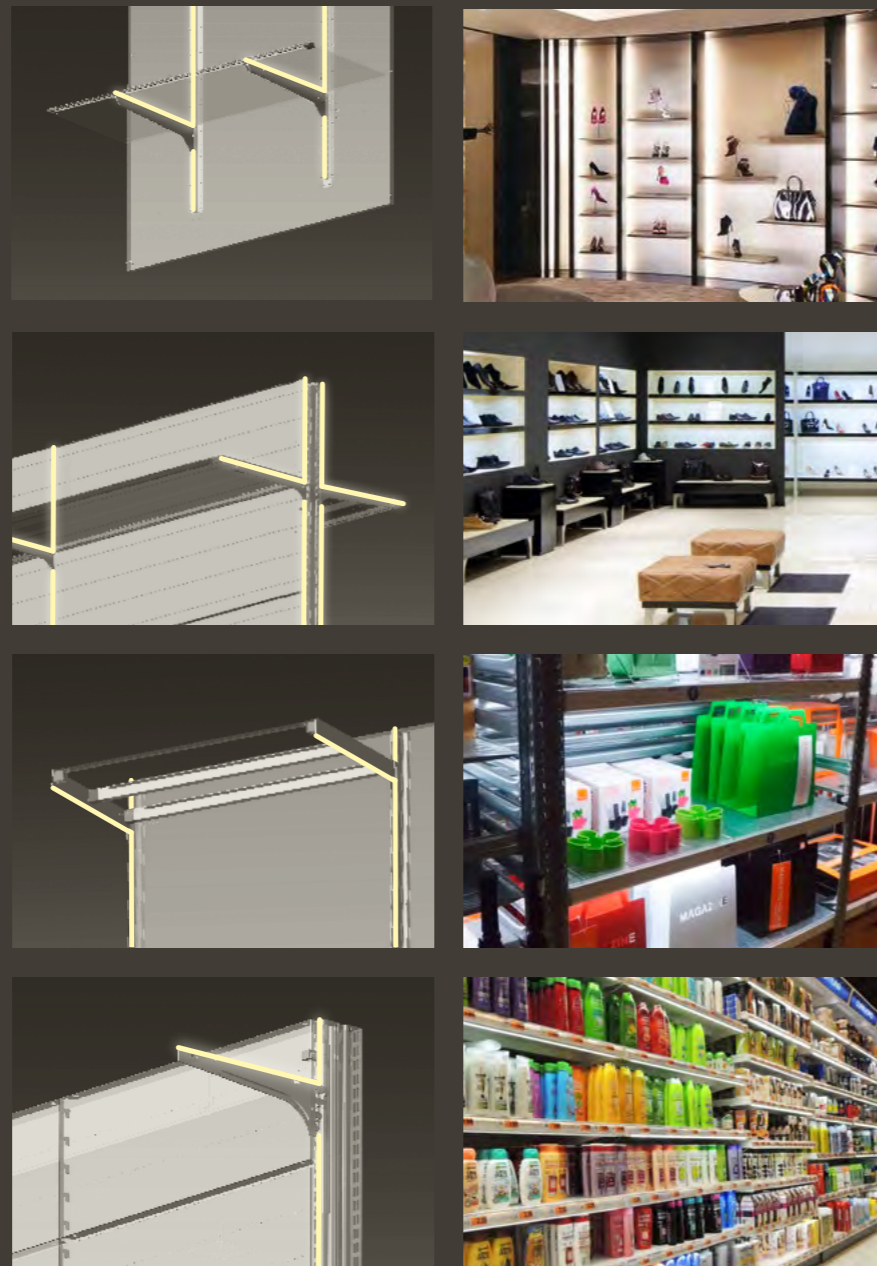
We are able to design and build easy-to-install systems that best suit your facility.

Electrified tracks, specific power connectors for both the track and the brackets of the shelves, whether they are made of wood, glass or metal.

A perfectly integrated electrified modular system.

Systems for enhancing perception of products

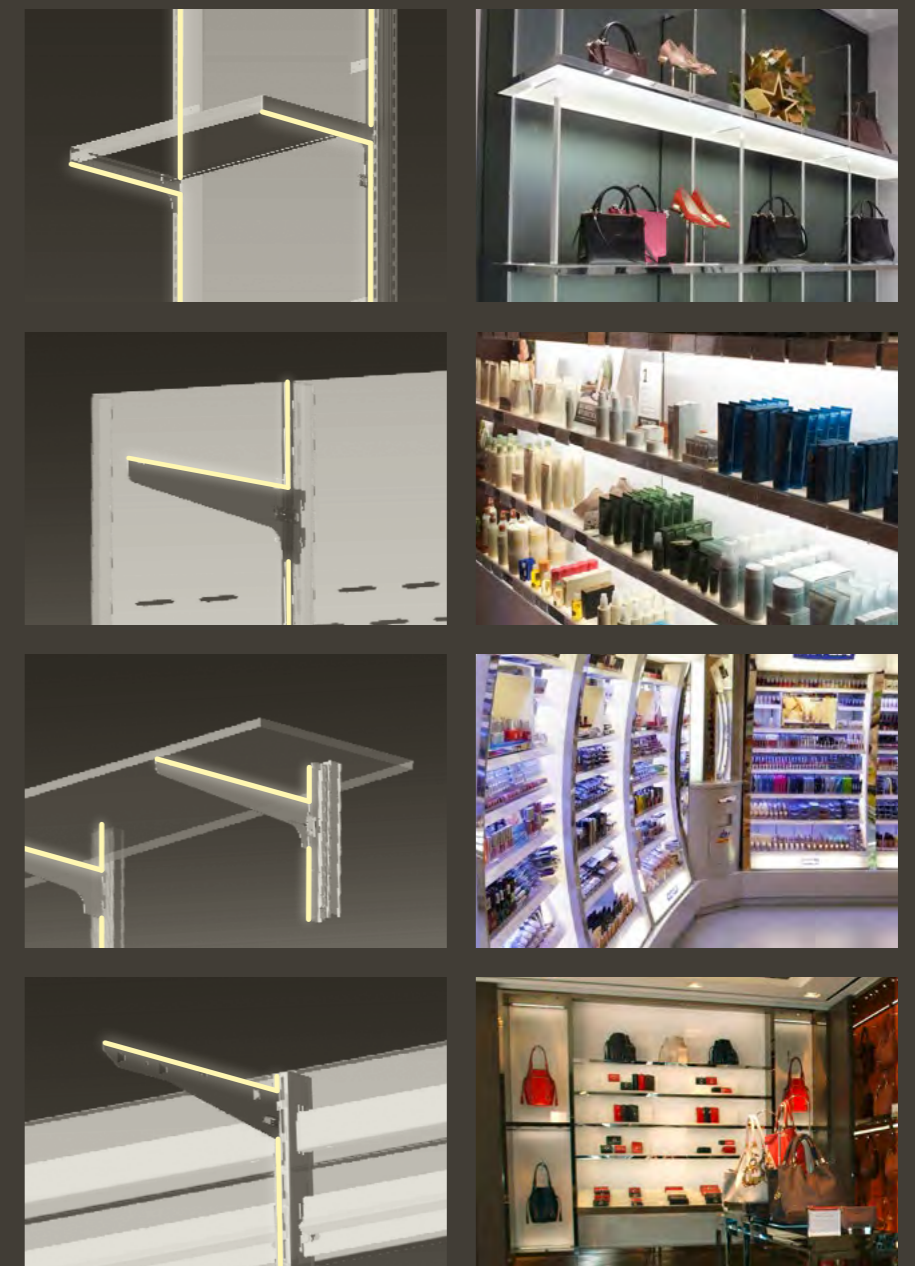
We enhance the environment and products within a point of sale for a better shop experience



SAMPLES OF ELECTRIFIED TRACK AND POWER CONNECTORS FOR SHELF SPECIFICALLY DESIGN FOR OUR CUSTOMERS NEEDS.

We are able to provide an electrification system that tightly integrates the track and shelf, becoming a part of it, by develop and manufactures invisible track and shelf connectors.

Light becomes a crucial element that helps to emphasise the product's characteristics by enriching its details and highlighting its shape.



SAMPLES OF ELECTRIFIED TRACK AND POWER CONNECTORS FOR SHELF SPECIFICALLY DESIGN FOR OUR CUSTOMERS NEEDS.



Modular Electrified Systems

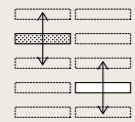
Easy to install, practical to move, perfect to illuminate your effectively space

The ever-changing needs of the users require these lighting systems to be versatile to be adapted to different environments as well as easy to install and move without having to modify electrical connections and systems. We provide an ideal solution for these needs thanks to a system that integrates tracks, connectors, power supplies, fixing systems and light sources.

L&S electrified modular systems simplify furnishing management, enhancing the aesthetic aspect and quality of the light source. A solution that integrates tracks, connectors, driver, fixing systems and lamps, allowing you to move the elements easily, quickly and in total safety.

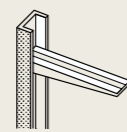
The lamps integrated in the shelf ensure correct lighting, hiding the source. Our electrification systems are modular, versatile solutions for maximum customization of your furnishing projects.

Modular and versatile solutions for maximum customization of your furniture projects. Ideal for shops, offices, hotels, and living areas or walk-in closets.



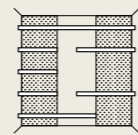
Flexibility

Brackets for any shelf application: straight, inclined, glass, wood



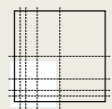
Integrated power

Light shelves can be moved as desired



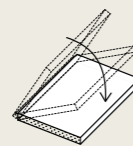
Aesthetics

Structures that are integrated into existing spaces



Modularity

Modular structures that can be combined easily



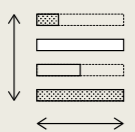
Convenience of use

Easy to install and modules' management



Style

Luminaires integrated in the furniture



Custom

Custom made for dimensions and finishes



Practical

No wiring or drilling needed



Power Line

p. 24

IDEAL FOR

- clothing
- fashion accessories
- hospitality
- mass retail
- luxury retail

FEATURES

- modularity
- versatility
- no wiring needed



Thin Line

p. 40

IDEAL FOR

- clothing
- eyewear
- fashion accessories
- cosmetic
- pharmacy
- luxury retail

FEATURES

- modularity
- versatility
- no need for connectors



Square Line

p. 68

IDEAL FOR

- office
- eyewear
- visual communication
- hospitality
- luxury retail

FEATURES

- easy to install
- aesthetics
- emotional impact
- freestanding



Hi Line

p. 74

IDEAL FOR

- eyewear
- perfumery
- pharmacy
- hospitality

FEATURES

- modularity
- versatility
- solution with different type of shelves and modules



Minitrack

p. 86

IDEAL FOR

- perfumery
- pharmacy
- food
- mass market retail

FEATURES

- discreet
- easy installation
- ideal for existing facilities

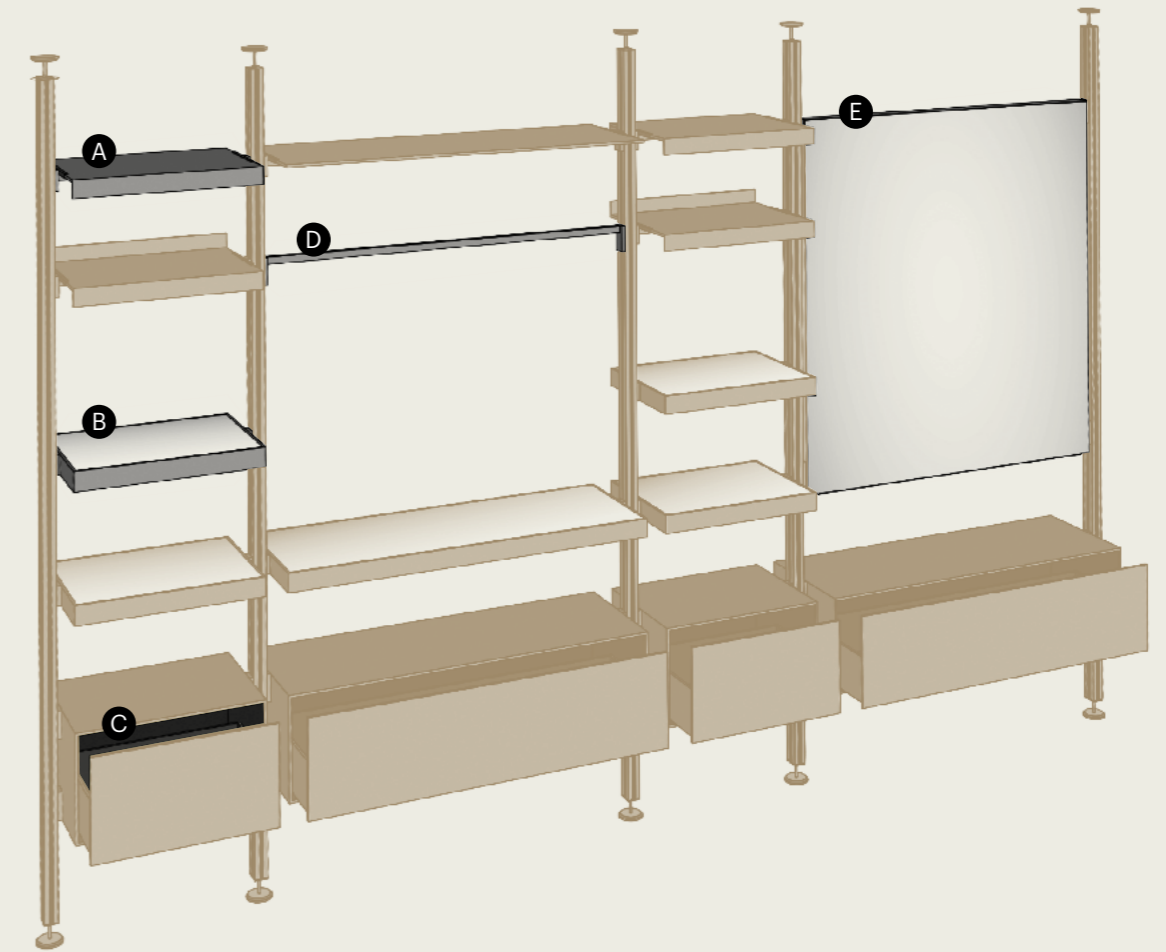
Samples of configuration

Discover our full range
to create your best-fit
Electrified Modular System



Square Line

PRODUCT DESIGN B+N INDUSTRIES



A Lit Shelf
Linear lamp



B Solaris L7 Shelf
Light panel



C Kiton
Linear lamp for drawers

D Lit Spanning Hangrail
Linear lamp


E Lightbox
Light panel

Thin Line



A Lit Wardrobe Tube
Linear lamp

B Tie/scarf Holder
Linear lamp

 **C** Sky
Recessed linear lamp

D Glass shelf with
aluminium frame
Lit Shelf



E Vip
Mirrorlight

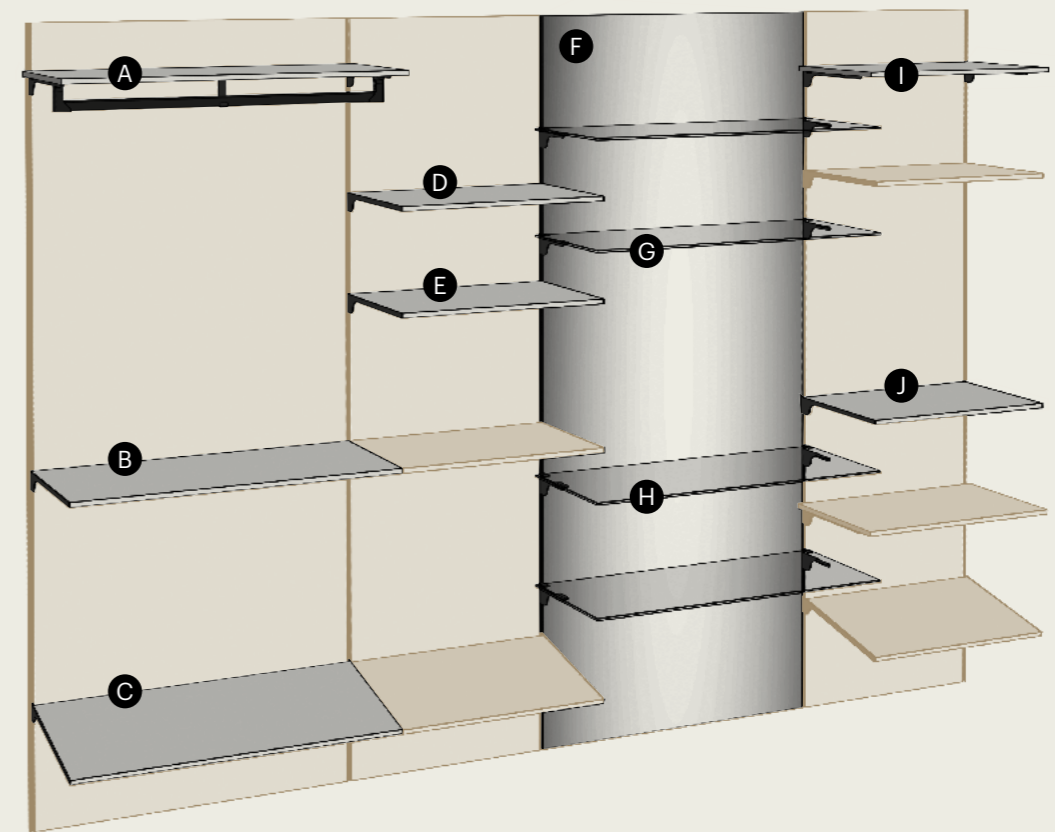


F Lite Track
Electrified track and spotlights



G Solaris Back
Light panel

Power Line



A Mec Rack
Lit wardrobe tube



B Mini Kendo
Recessed linear lamp



C Strip COB
Flexible led strip



D Lite Track
Electrified track and spotlights



E Mini Tubular IC
Surface linear lamp



F Solaris Back
Light panel



G Skyline
Surface linear lamp



H Microline 45
Surface linear lamp



I Mini
Surface linear lamp



J Sky D
Recessed linear lamp



A professional partner

We offer a consultancy service to support you, with maximum flexibility and availability of production departments and logistics on an international scale to reduce delivery times. Our approach is the mix of: attention to design and detail, innovation, durable products and maximum precision.



Customised solutions for home furniture, retail solutions and interior design projects.

We are in constant contact with your customers' technical, quality and procurement departments in order to design, together, the tailor-made solution to improve the end-user experience.

Prototyping for tailor-made projects.

The Technical Department and Research & Development ensure a constant capacity for innovation in lighting technology and develop customised designs and prototypes.

The aesthetics of the products are taken care of by experienced designers:

- Product development
- Rendering
- Prototyping
- 3D printing



High efficiency

The new generation of 24V LED strips, bringing a higher efficiency, integrated in all our solutions.

More luminous output, less energy input

We transformed the heart of our products, increasing the efficiency and achieving a higher energy class. The design and installation are made easy thanks to the reduced width and cutting step. All components, including the recycled packaging, are optimized to get a fully sustainable product.

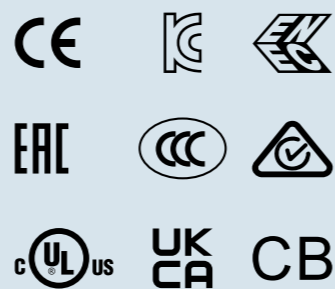


Worldwide certification



Thanks to the experience and expertise we have gained over the years, we consistently provide our client companies with certified products that are immediately ready to be sold in the main countries worldwide: this multiplies business opportunities and facilitates international distribution.

Recent investments in in-house certification laboratories make it increasingly faster to obtain the required requisites and markings.



Smart-home ready solutions

New lighting control systems and dedicated antimicrobial light sources. All at your fingertips.



Discover the "Lighting Intelligence" program: visual comfort and smart features in total safety.

Mec System is now completed by new wireless remote controls and an updated App. aggiornamenti della App. "Smart-home ready" solutions, easy to integrate with third-party systems, for every environment.

A selection of dedicated sensors, controllers and linear luminaires with special light sources let, in one single solution, alternate white light and the antibacterial emission with blue or violet / UV-A light.

Index

Modular Systems	24	Power Line
	40	Thin Line
	68	Square Line
	74	Hi Line
	86	Minitrack

Power Line

CE

Modular electrification
 “Plug&Play” system, integrated
 with brackets. All its parts –
 tracks, connectors and brackets –
 can be easily installed without
 the need forelectrical skills.

Power Line is extremely versatile,
 thanks to different possible
 customizations of dimensions
 and available finishes, designed
 for wood or glass shelves and
 power connectors for light fixtures.

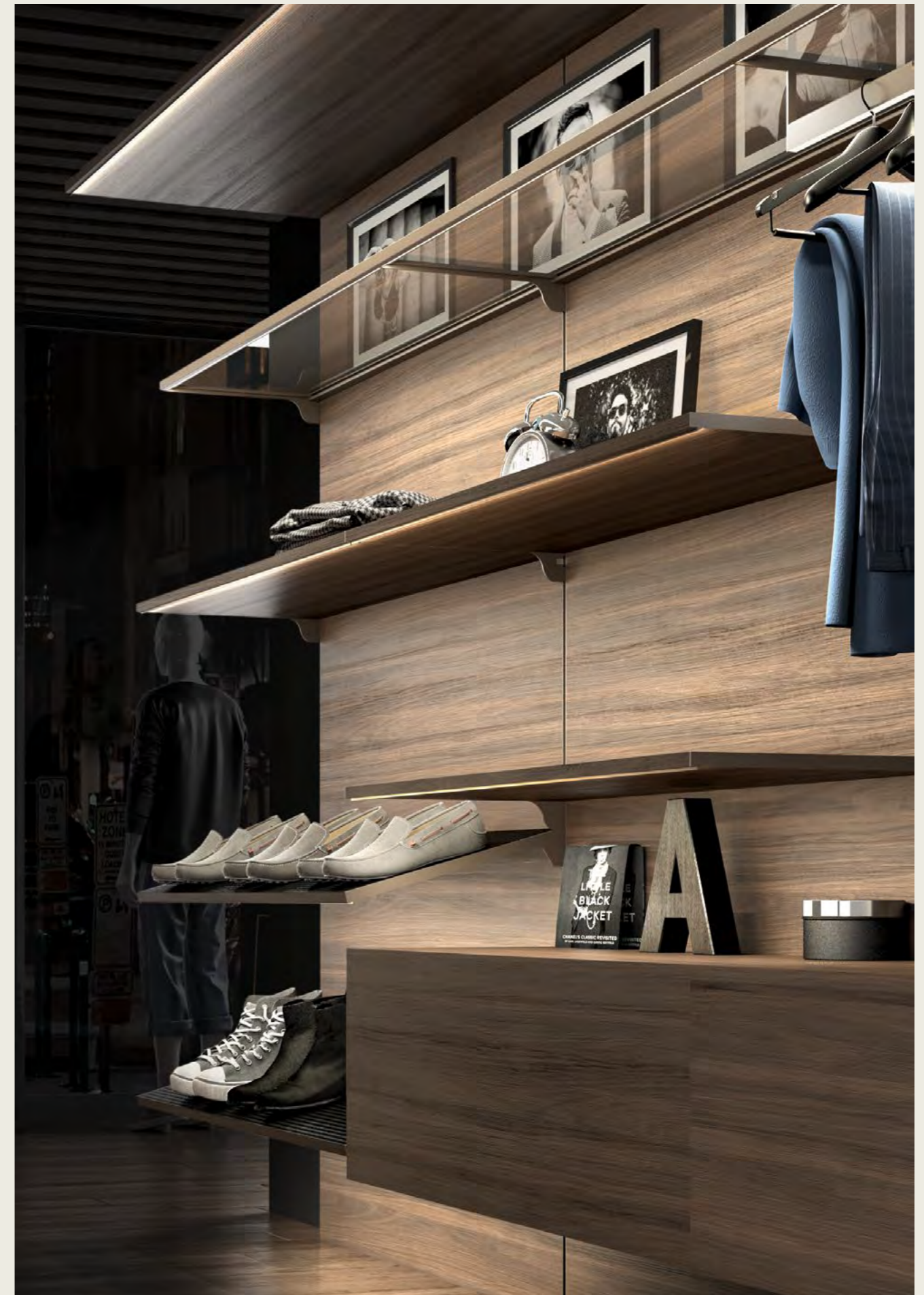
The wooden back can also be
 replaced with Solaris Back, L&S’
 light panel with a reduced depth
 and without visible frames.

IDEAL FOR

- clothing
- fashion accessories
- hospitality
- mass retail
- luxury retail

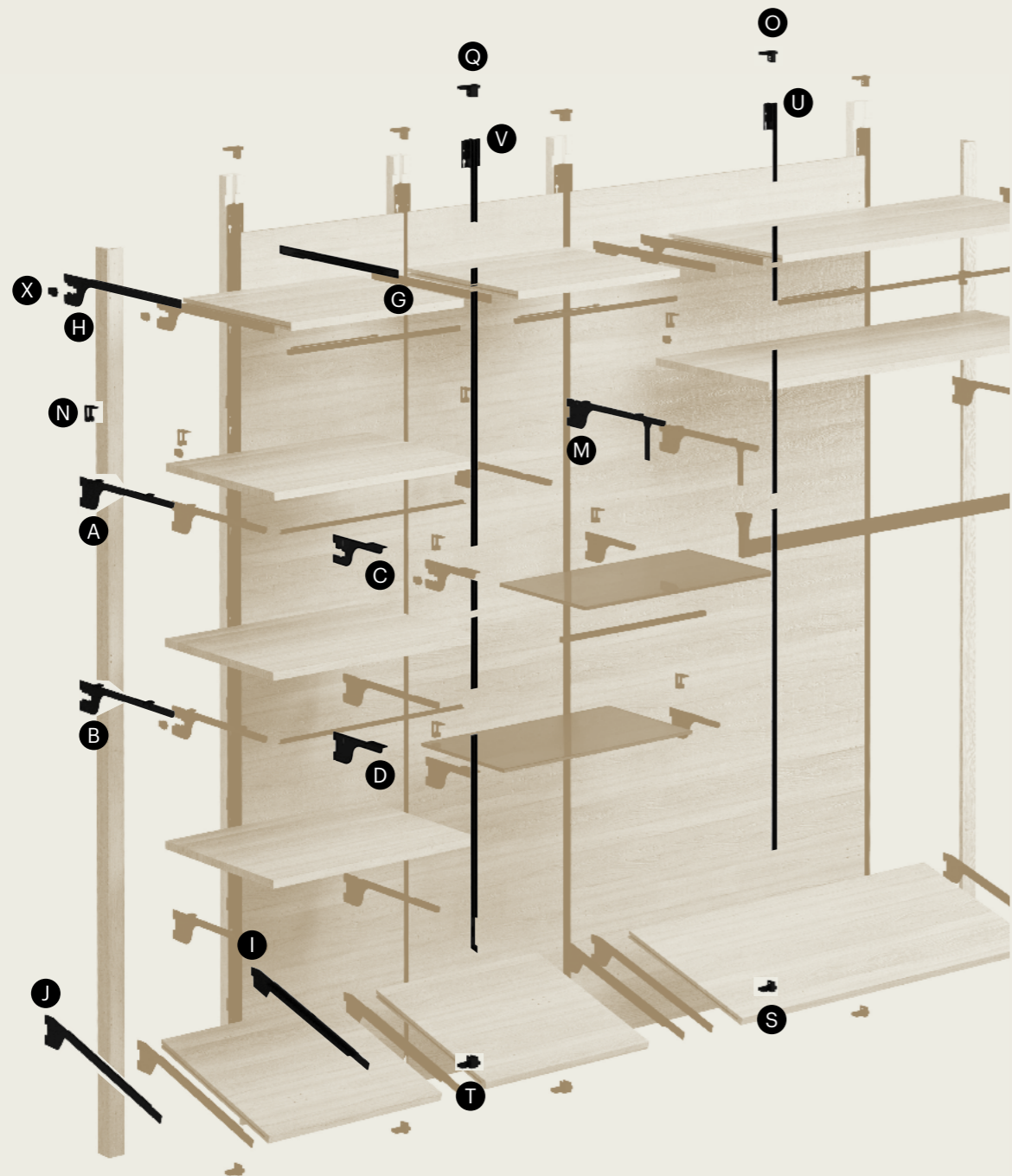
FEATURES

- modularity
- versatility
- no wiring needed



Configuration system

Follow the letter and find your right accessories



A Bracket kit for retractable connector for wooden shelves without lighting

Kit including left and right bracket. Together with their specific retractable connector (sold separately), they electrify the shelf where L&S lights are to be installed. The kit is available in black or grey finish.



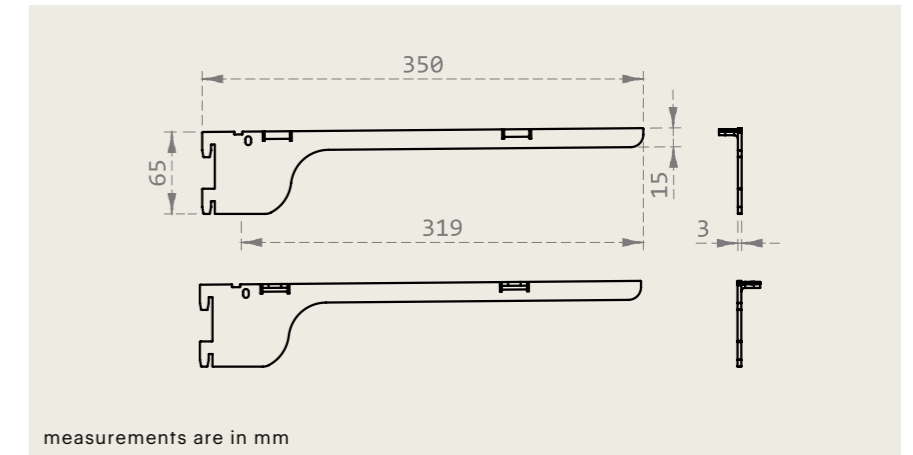
- 03 black
- 65 metallic grey

MAXIMUM LOAD (KIT)	KG	LB
BRACKETS	20	44
BRACKETS + HOLDER (P.13)	40	88

L&S COD.

03 12422450300

65 12422456500



B Bracket kit for wooden shelves

Kit including left and right bracket. The left version has a specific spot where the power connector for L&S lights (sold separately) can be easily and quickly installed. The kit is available in black or grey finish.



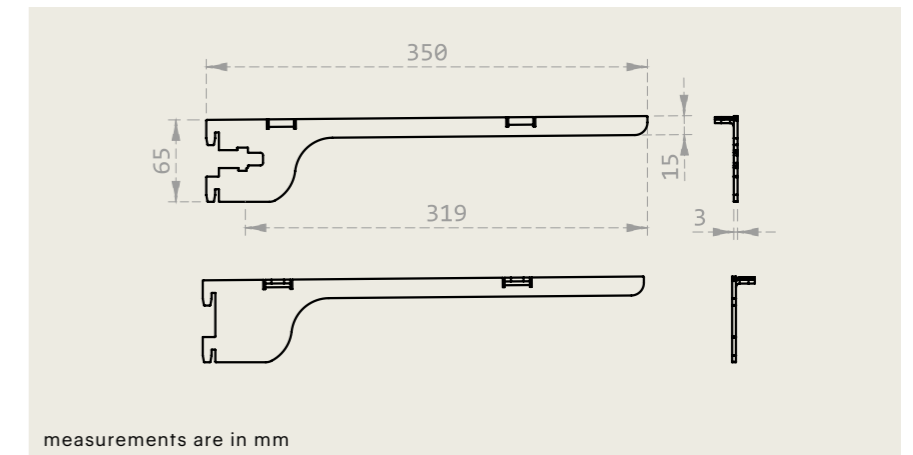
- 03 black
- 65 metallic grey

MAXIMUM LOAD (KIT)	KG	LB
BRACKETS	20	44

L&S COD.

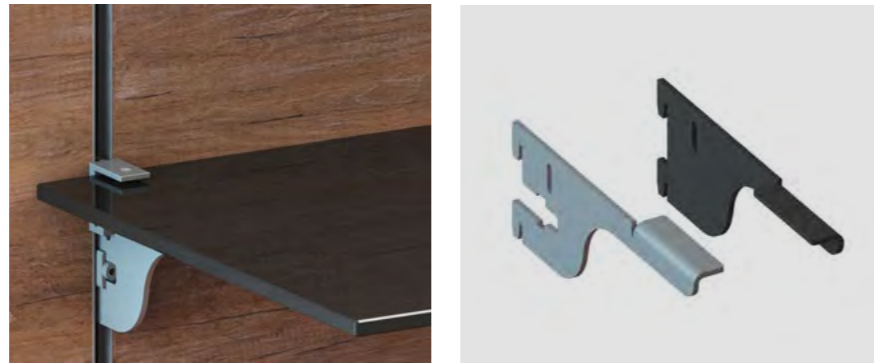
03 12422460300

65 12422466500



C Bracket kit for glass shelves

Kit including left and right bracket. The left version has a specific spot where the power connector for L&S lights (sold separately) can be easily and quickly installed. The kit is available in black or grey finish.

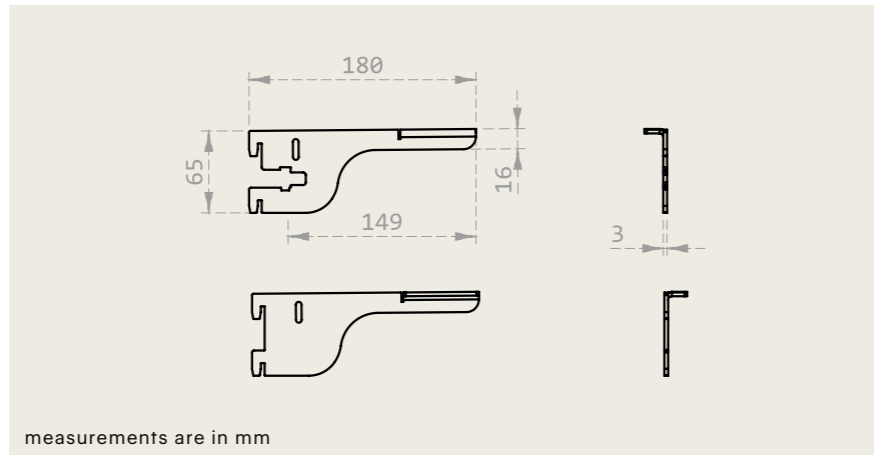


- 03 black
- 65 metallic grey

MAXIMUM LOAD (KIT)	KG	LB
BRACKETS	40	88

L&S COD.

- 03 12422470300
- 65 12422476500



D Bracket kit for glass shelves without lighting

Kit including left and right bracket. This version is specifically designed for shelves without lighting. The kit is available in black or grey finish.

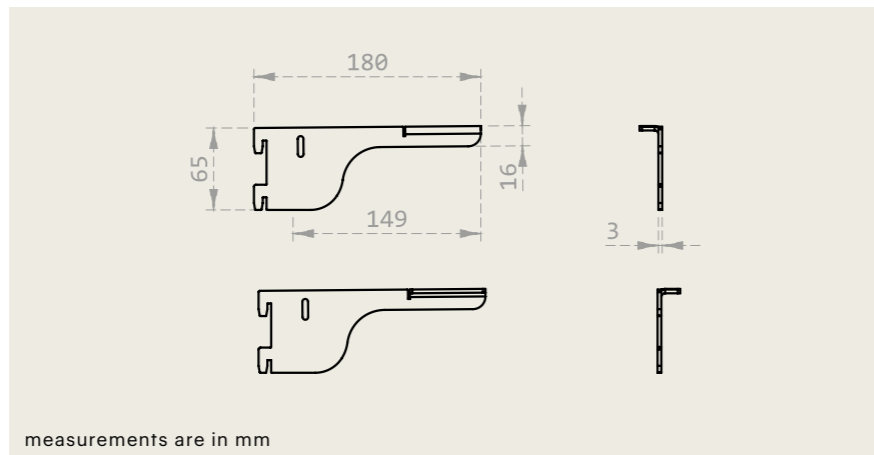


- 03 black
- 65 metallic grey

MAXIMUM LOAD (KIT)	KG	LB
BRACKETS	40	88

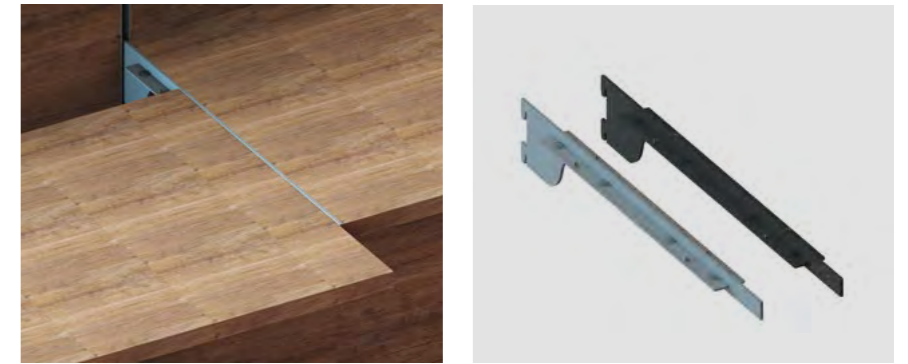
L&S COD.

- 03 12422480300
- 65 12422486500



E "Line" central bracket for wooden shelves without lighting

Central bracket specifically designed to support and align shelves. It is intended to be used on shelves without lighting. Available in black or grey finish.

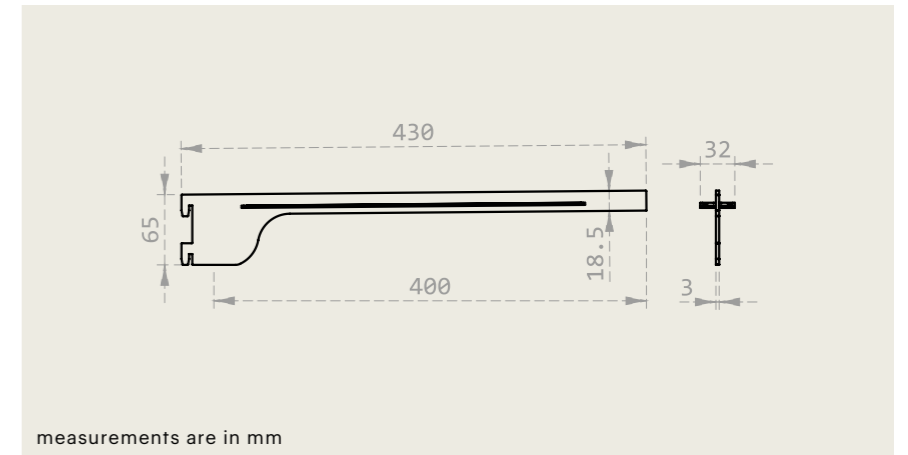


- 03 black
- 65 metallic grey

MAXIMUM LOAD	KG	LB
BRACKET	15	33

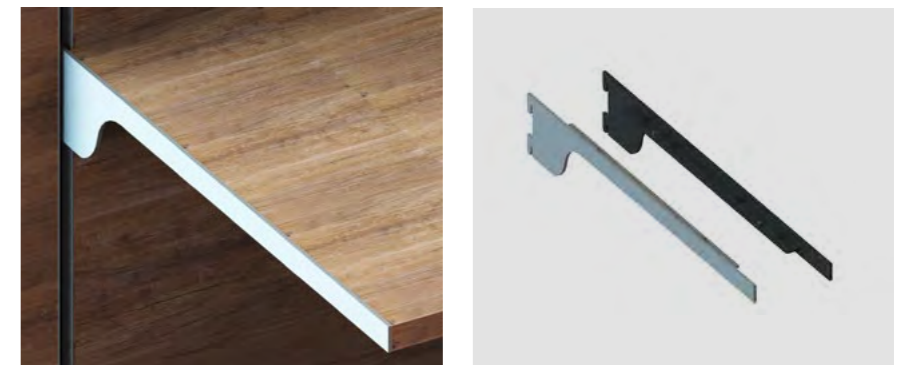
L&S COD.

- 03 12208820300
- 65 12208826500



F "Line" bracket kit for wooden shelves without lighting

Kit including left and right bracket, specifically designed to support and align multiple shelves. This version is intended to be used on shelves without lighting. The kit is available in black or grey finish.

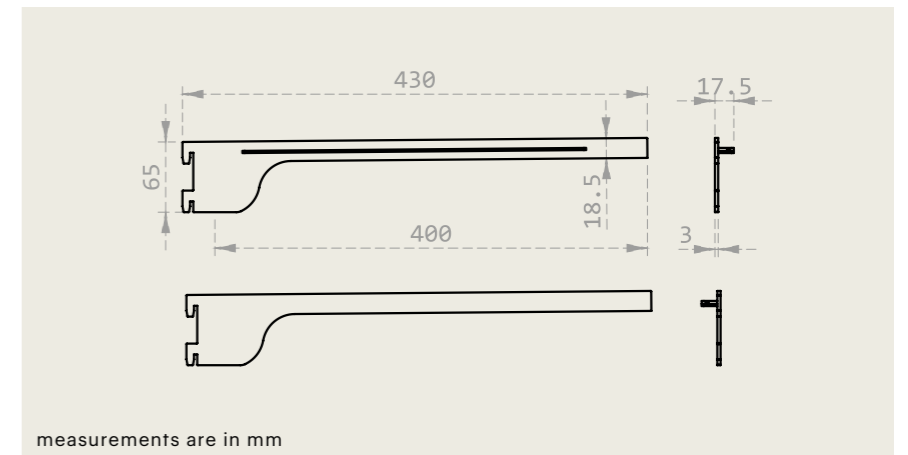


- 03 black
- 65 metallic grey

MAXIMUM LOAD (KIT)	KG	LB
BRACKETS	30	66

L&S COD.

- 03 12422500300
- 65 12422506500



G "Line" central bracket for wooden shelves

Central bracket specifically designed to support and align multiple shelves. It has a specific spot where the power connector for L&S lights (sold separately) can be easily and quickly installed. Available in black or grey finish.

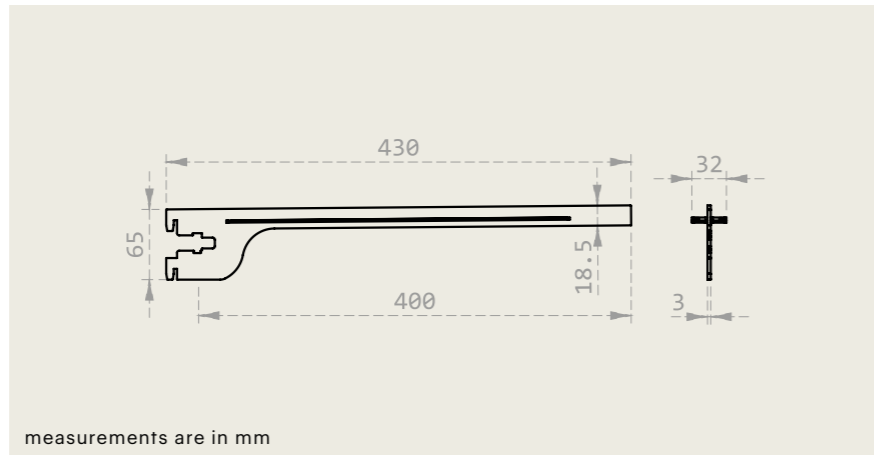


- 03 black
- 65 metallic grey

MAXIMUM LOAD	KG	LB
BRACKET	15	33

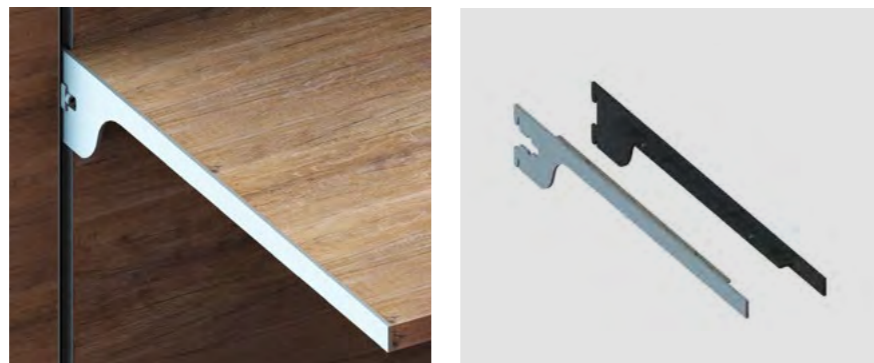
L&S COD.

- 03 12208830300
- 65 12208836500



H "Line" bracket for wooden shelves

Kit including left and right bracket specifically designed to support and align multiple shelves. The left version has a specific spot where the power connector for L&S lights (sold separately) can be easily and quickly installed. The kit is available in black or grey finish.

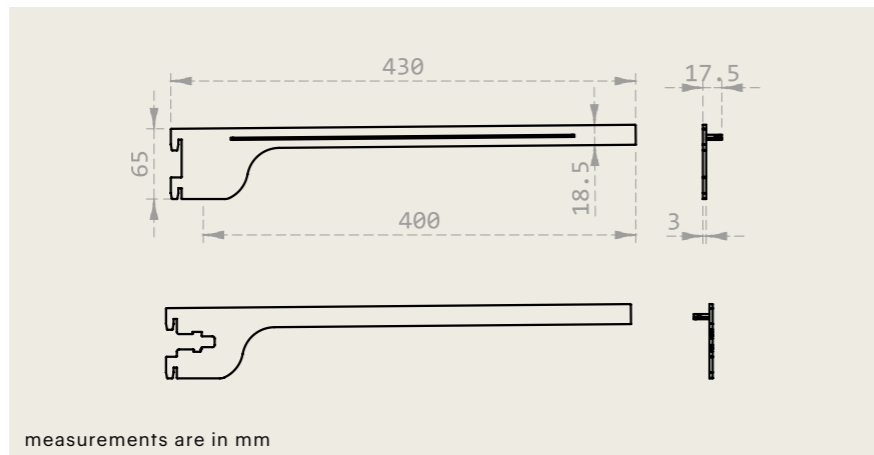


- 03 black
- 65 metallic grey

MAXIMUM LOAD (KIT)	KG	LB
BRACKETS	30	66

L&S COD.

- 03 12422510300
- 65 12422516500



I "Line" central inclined bracket for wooden shelves without lighting

Central inclined bracket. It is specifically designed to support and align multiple shelves. This version is intended to be used with shelves without lighting. Available in black or grey finish.

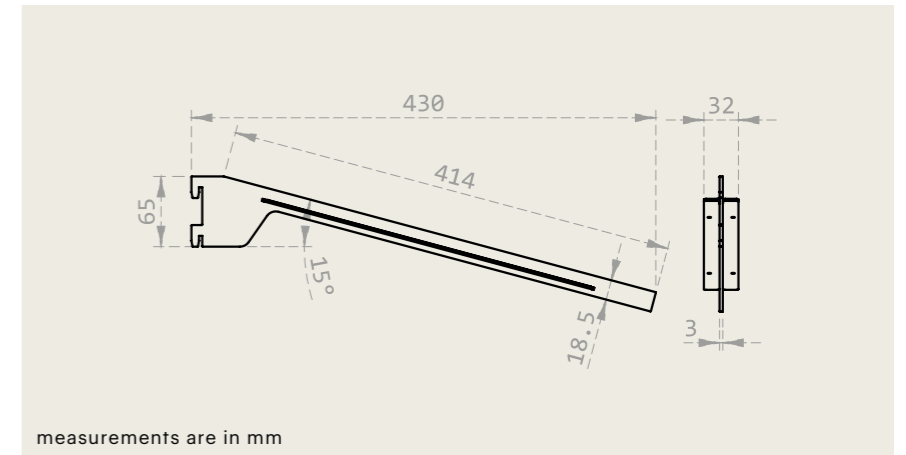


- 03 black
- 65 metallic grey

MAXIMUM LOAD	KG	LB
BRACKET	10	22

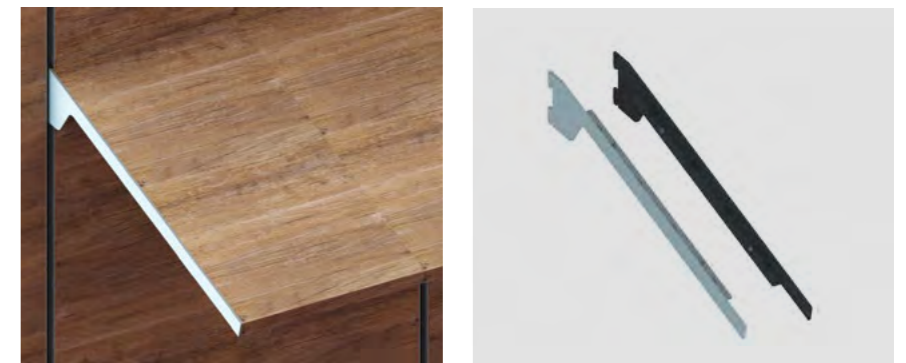
L&S COD.

- 03 12208840300
- 65 12208846500



J "Line" inclined bracket kit for wooden shelves without lighting

Kit including left and right bracket, specifically designed to support and align multiple shelves. It is intended to be used with shelves without lighting. The kit is available in black or grey finish.

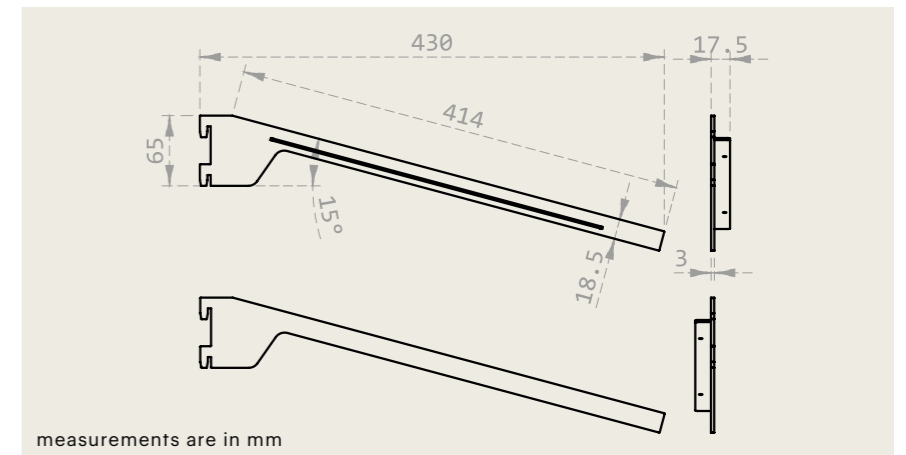


- 03 black
- 65 metallic grey

MAXIMUM LOAD (KIT)	KG	LB
BRACKETS	20	44

L&S COD.

- 03 12422520300
- 65 12422526500



K "Line" central inclined bracket for wooden shelves

Central inclined bracket, specifically designed to support and align multiple shelves. It has a specific spot where the power connector for L&S lights (sold separately) can be easily and quickly installed. Available in black or grey finish.

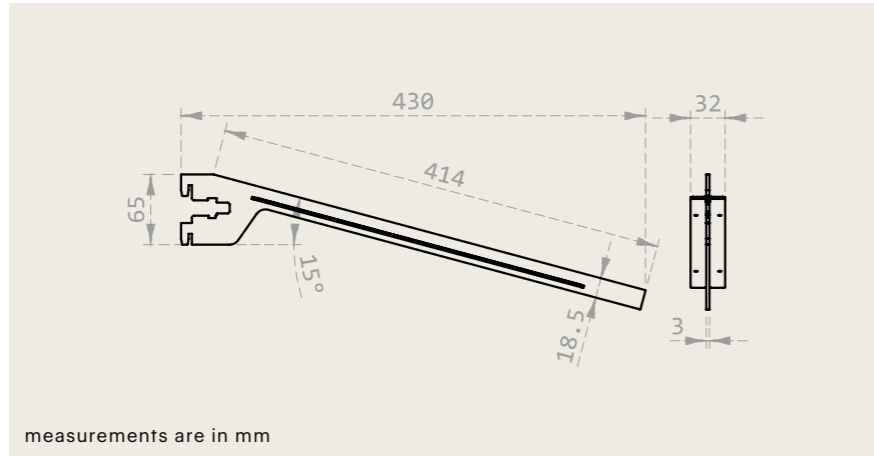


- 03 black
- 65 metallic grey

MAXIMUM LOAD	KG	LB
BRACKET	10	22

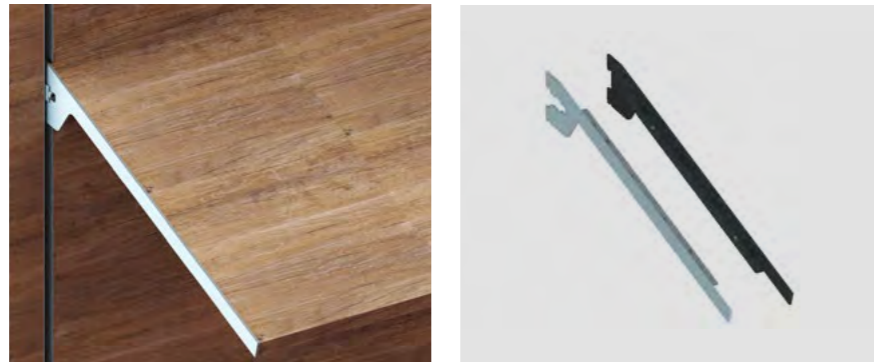
L&S COD.

- 03 12208850300
- 65 12208856500



L "Line" inclined bracket kit for wooden shelves

Kit including left and right bracket, specifically designed to support and align multiple shelves. It is provided with a specific spot where the power connector for L&S lights (sold separately) can be easily and quickly installed. Available in black or grey finish.

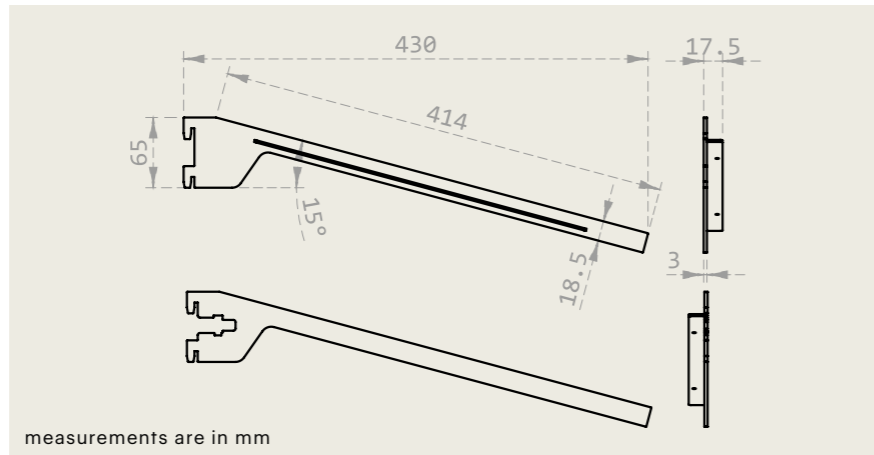


- 03 black
- 65 metallic grey

MAXIMUM LOAD (KIT)	KG	LB
BRACKETS	20	44

L&S COD.

- 03 12422530300
- 65 12422536500



M "Mec Rack" bracket kit for wooden shelves

Kit including left and right bracket, specifically designed to be combined with Mec Rack lighting clothes hanging rod. It has a specific spot where the power connector for L&S lights (sold separately) can be easily and quickly installed. The kit is available in black or grey finish.

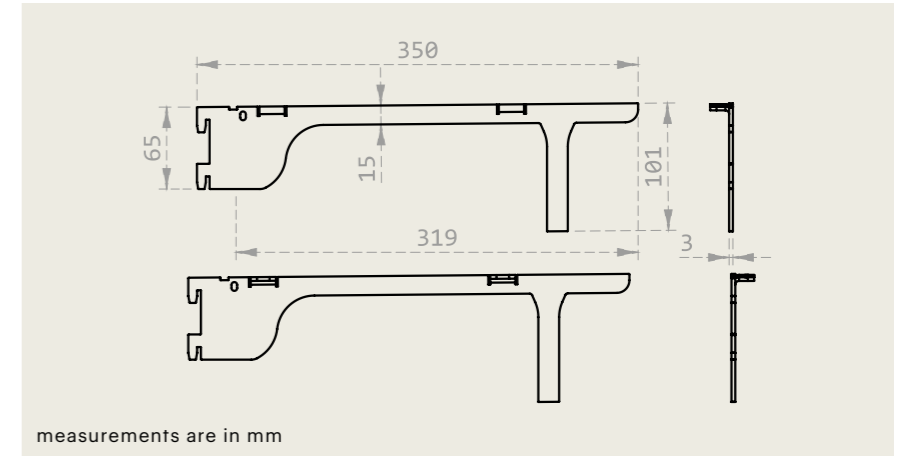


- 03 black
- 65 metallic grey

MAXIMUM LOAD (KIT)	KG	LB
BRACKETS	20	44
BRACKETS + HOLDER (P.13)	40	88

L&S COD.

- 03 12422540300
- 65 12422546500



N Holder for retractable connector

Bracket holder, for the installation of the retractable connector (sold separately). Compatible with all common shelf sizes, above 18mm depth for wooden shelves, from 3mm to 12mm depth for glass shelves. If used with glass shelves, works also as shelf lock clip. Available in black or grey finish.

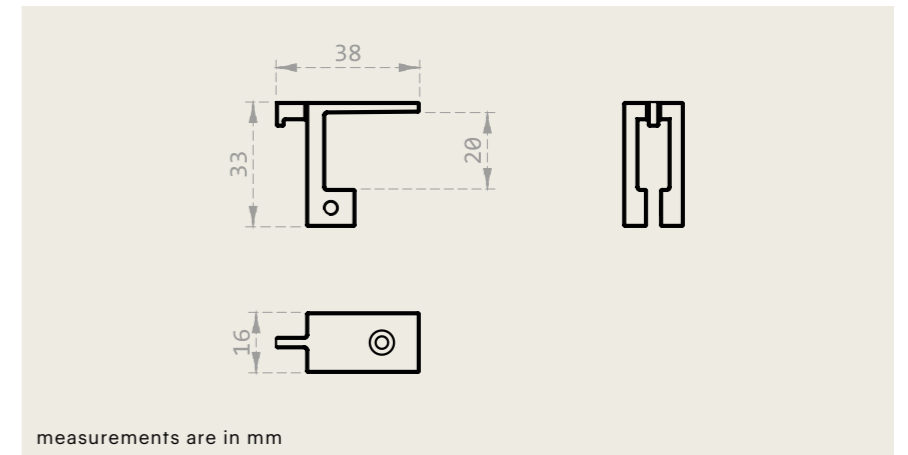


- 03 black
- 65 metallic grey

MAXIMUM LOAD (KIT)	KG	LB
BRACKETS	20	44

L&S COD.

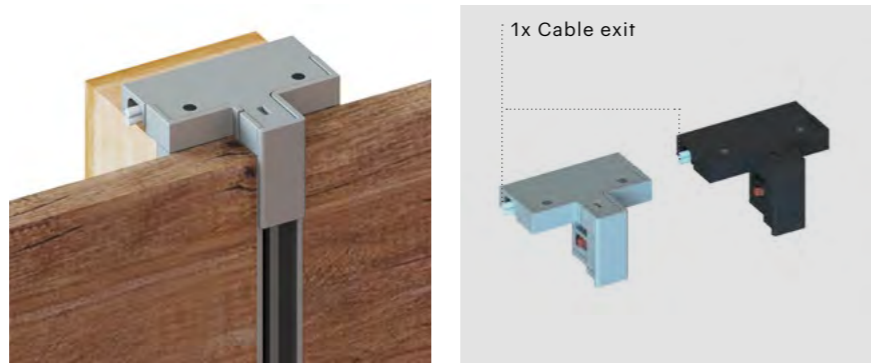
- 03 13202060300
- 65 13202066500



O Power connector for single-track, Mec Driver "up" version

(24V DC)

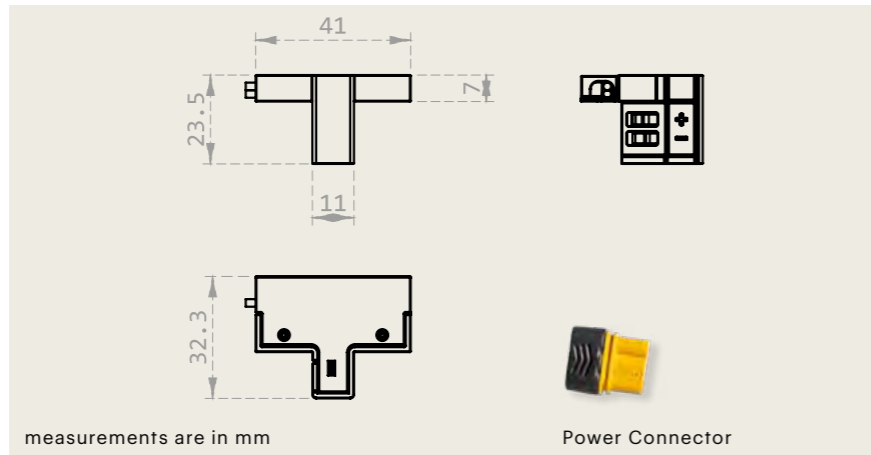
Connector that is to be installed on the upper part of the electrified track. It is specifically designed to be connected to the Mec Driver power supply system. Available in black or grey finish.



03	black	1 m
		4 m
10	grey	1 m
		4 m

L&S COD.

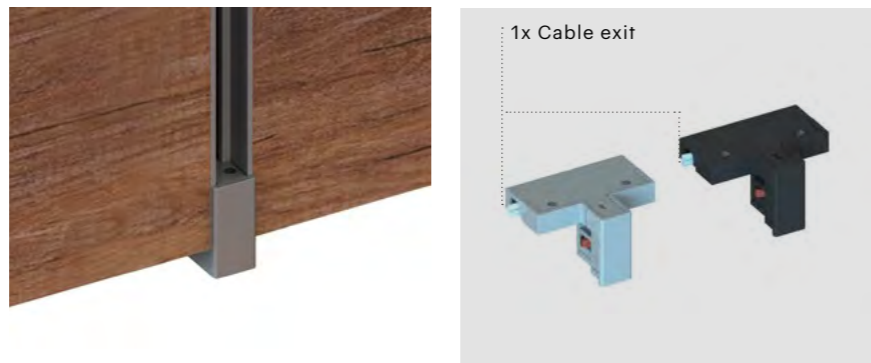
03	12607250300	1m
10	12607251000	1m
03	12607130300	4m
10	12607131000	4m



P Power connector for single-track Mec Driver "down" version

(24V DC)

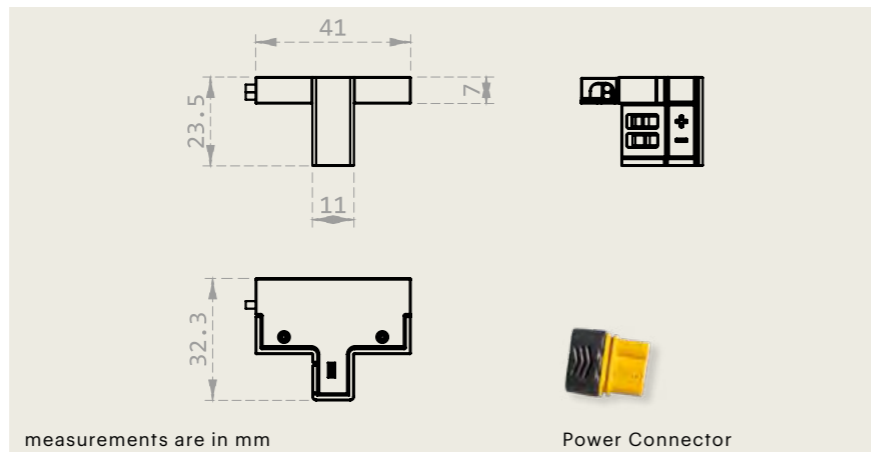
Connector that is to be installed on the lower part of the electrified track. Specifically designed to be connected to the Mec Driver power supply system. Available in black or grey finish.



03	black	1 m
		4 m
10	grey	1 m
		4 m

L&S COD.

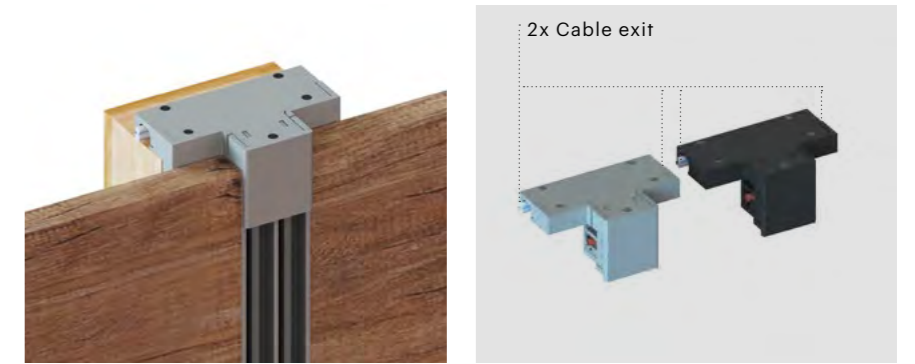
03	12607260300	1m
10	12607261000	1m
03	12607240300	4m
10	12607241000	4m



Q Power connector for double track Mec Driver "up" version

(24V DC)

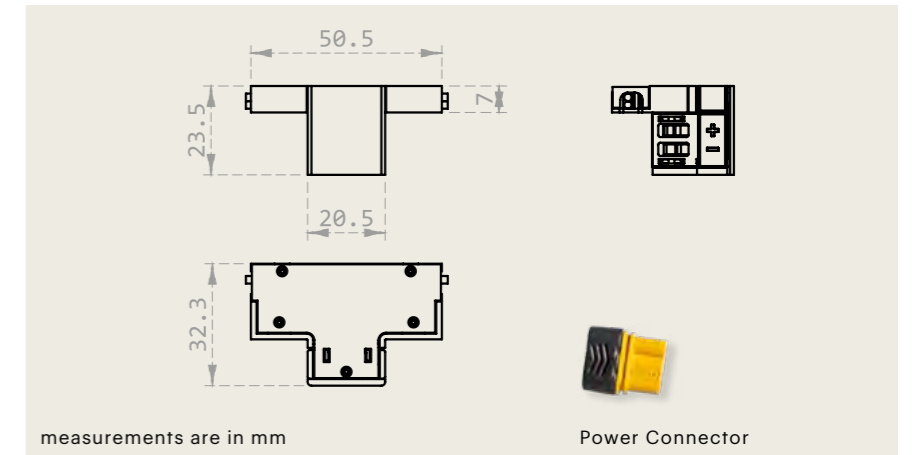
Connector that is to be installed on the upper part of the double electrified track. Specifically designed to be connected to the Mec Driver power supply system. Available in black or grey finish.



03	black	1 m
		4 m
10	grey	1 m
		4 m

L&S COD.

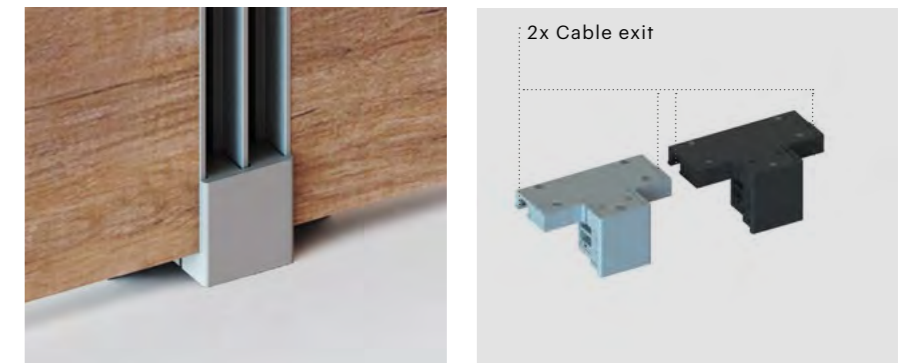
03	12607290300	1m
10	12607291000	1m
03	12607270300	4m
10	12607271000	4m



R Power connector for double track Mec Driver "down" version

(24V DC)

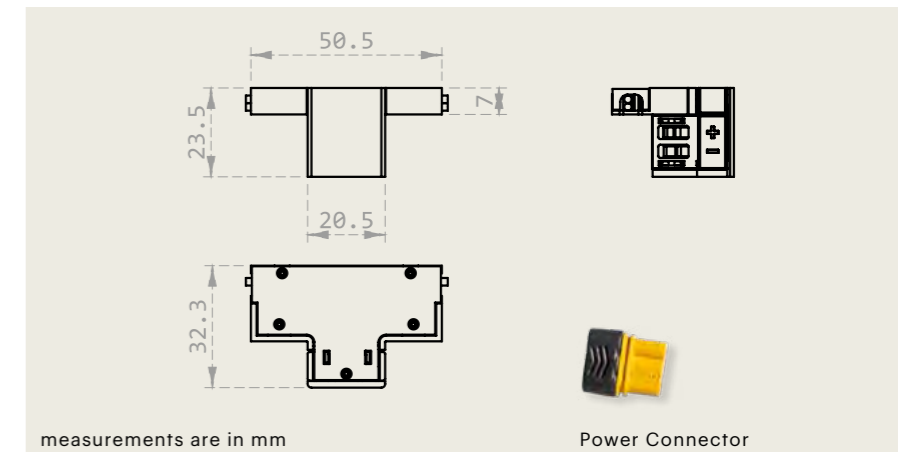
Connector that is to be installed on the lower part of the double electrified track. Specifically designed to be connected to the Mec Driver power supply system. Available in black or grey finish.



03	black	1 m
		4 m
10	grey	1 m
		4 m

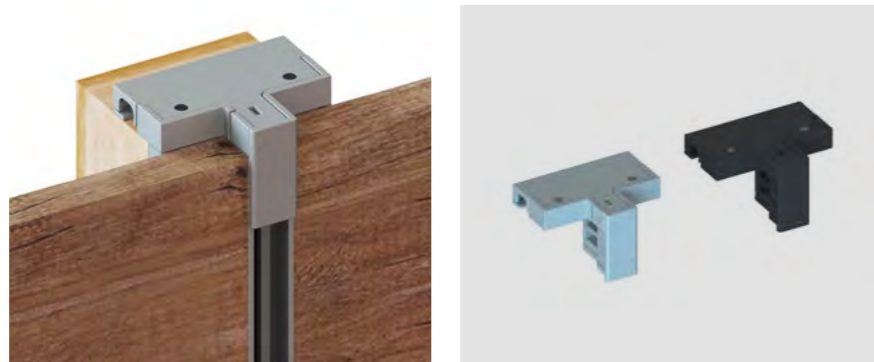
L&S COD.

03	12607300300	1m
10	12607301000	1m
03	12607280300	4m
10	12607281000	4m

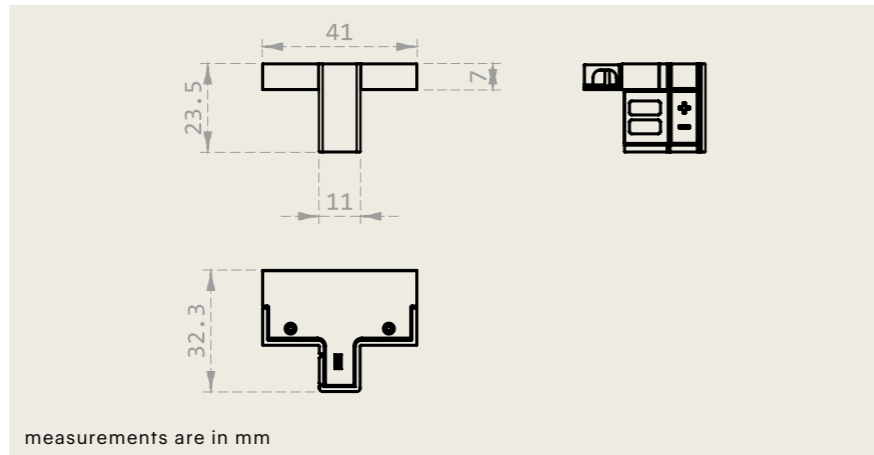


S Cap for single track

Cap that is to be installed on the lower or upper part of the electrified track. Available in black or grey finish.



- 03 black
- 10 grey

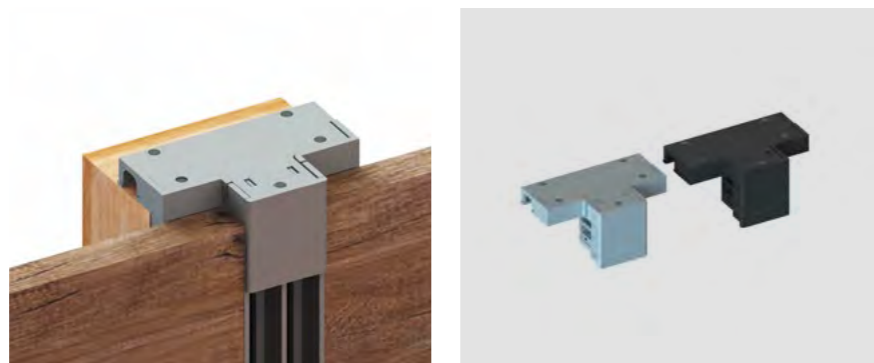


L&S COD.

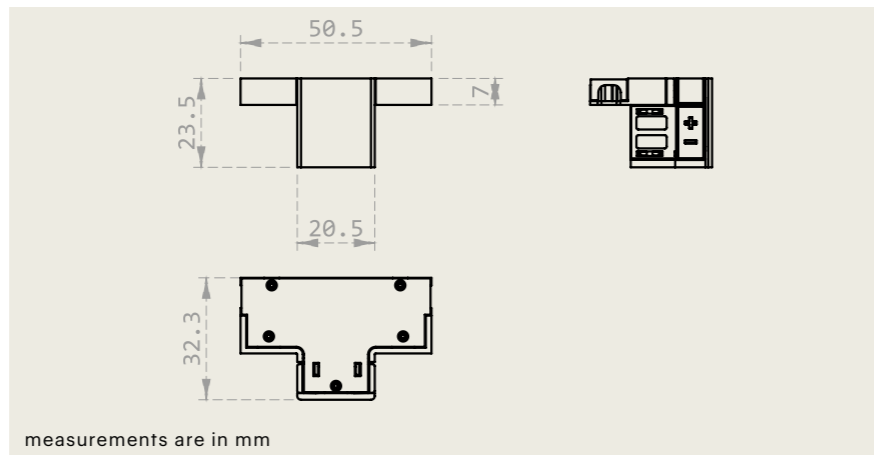
- 03 13202070300
- 10 13202071000

T Cap for double track

Cap that is to be installed on the lower or upper part of the electrified track. Available in black or grey finish.



- 03 black
- 10 grey



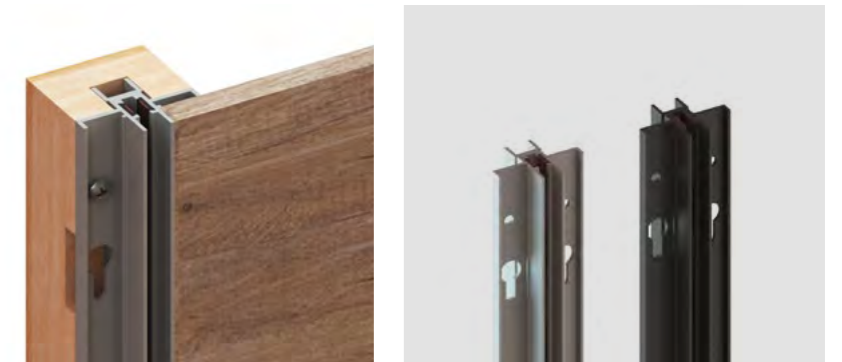
L&S COD.

- 03 13202080300
- 10 13202081000

U Electrified single track

24V DC

Single electrified track for back panels up to 10 mm thick, compatible with all types of brackets. Available in a black or grey finish.

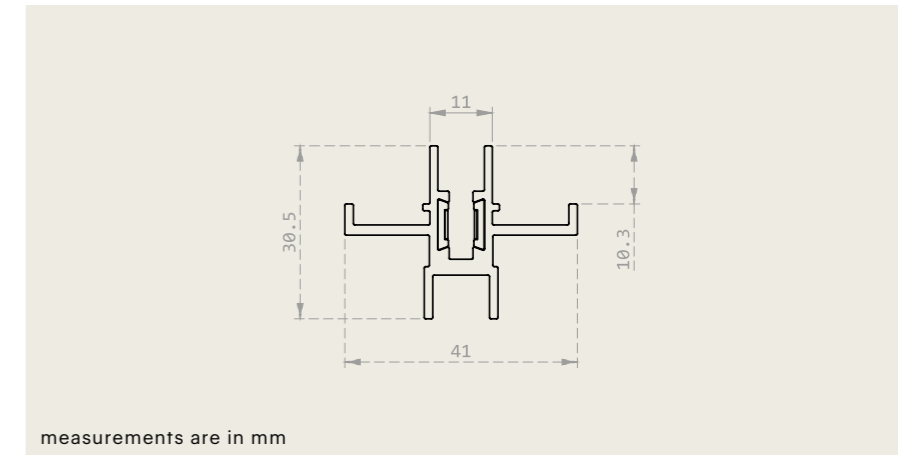


Maximum load: 90W each power supply

- 03 black 2.5 m
- 12 3 m
- 12 aluminum 2.5 m
- 03 3 m

L&S COD.

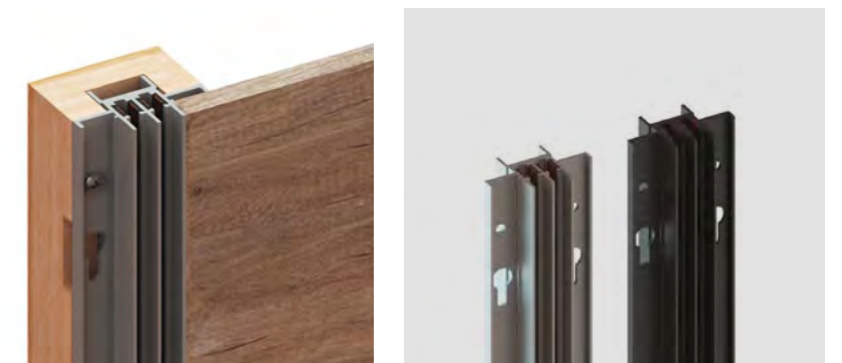
- 03 90400030300 2.5m
- 10 90400031200 2.5m
- 03 90400040300 3m
- 10 90400041200 3m



V Electrified double track

24V DC

Electrified double rail for back panels up to 10 mm thick, specifically for installations where several shelves need to be placed side by side, without having to use the "line" brackets. Available in a black or grey finish.

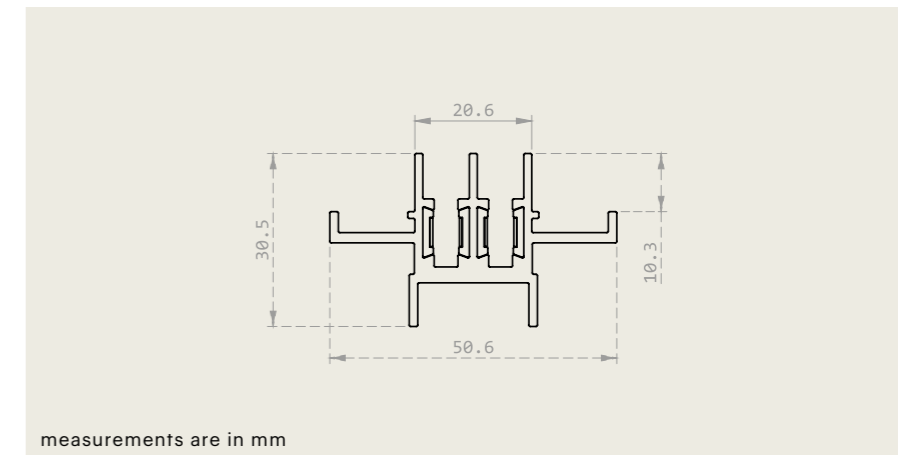


Maximum load: 90W each power supply

- 03 black 2.5 m
- 12 3 m
- 12 aluminum 2.5 m
- 03 3 m

L&S COD.

- 03 90400050300 2.5m
- 12 90400051200 2.5m
- 03 90400060300 3m
- 12 90400061200 3m



W Electrified single track

24V DC

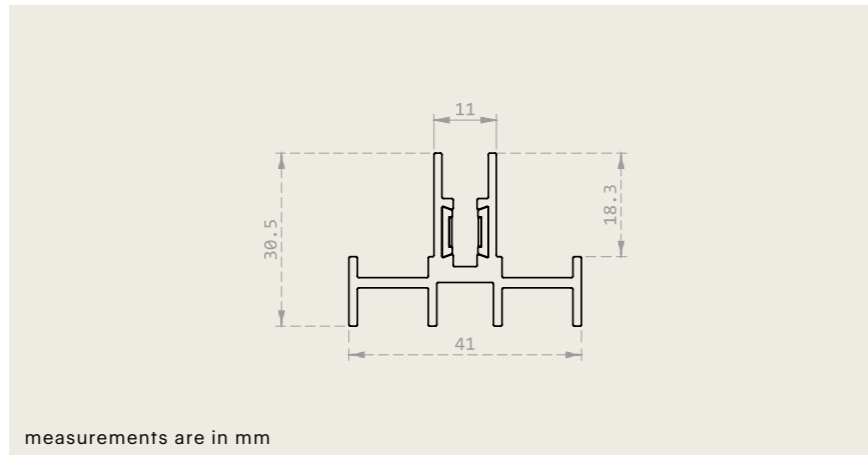
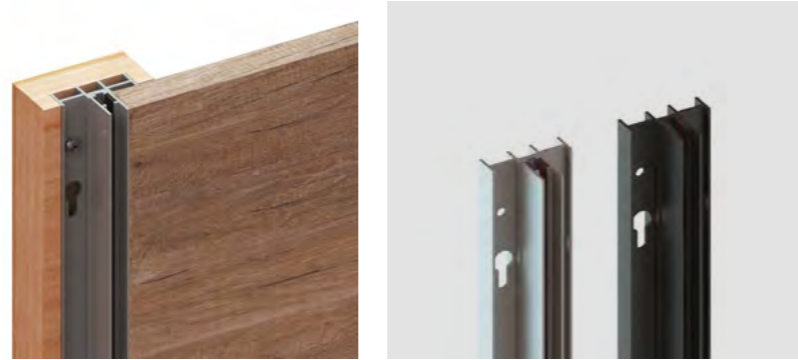
Single electrified track for back panels up to 18 mm thick, compatible with all types of brackets. Available in a black or grey finish.

Maximum load: 90W each power supply

03	black	2.5 m
		3 m
12	aluminum	2.5 m
		3 m

L&S COD.

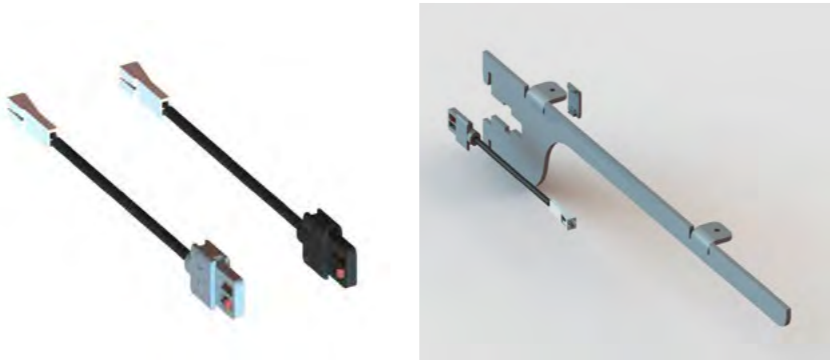
03	90400010300	2.5m
12	90400011200	2.5m
03	90400020300	3m
12	90400021200	3m



X Bracket connector

24V DC

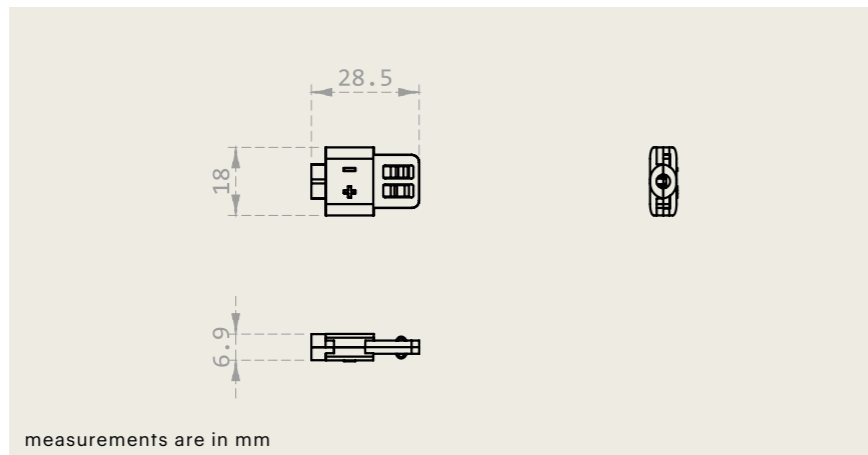
Power connector for L&S lights. Specifically created to be easily installed on the bracket versions or those with a retractable connector. Available in black or grey finish.



03	black	75 mm
		430 mm
10	grey	75 mm
		430 mm

L&S COD.

03	12606930300	75mm
10	12606931000	75mm
03	12607310300	430mm
10	12607311000	430mm



Thin Line

Modular electrified system to decorate a space. Variety of configurations with refined aesthetics. Ideal for retail and home environments.

The core of the Thin Line system is an innovative electrified concept (patented) to move and mount illuminated shelving units with ease, in a practical and safe way without visible connections or cables.

The system is very versatile and can be integrated in commercial, office and residential environments, enhancing living areas and wardrobes. The minimal space between panels produce a clean and continuous surface.

CE PATENTED

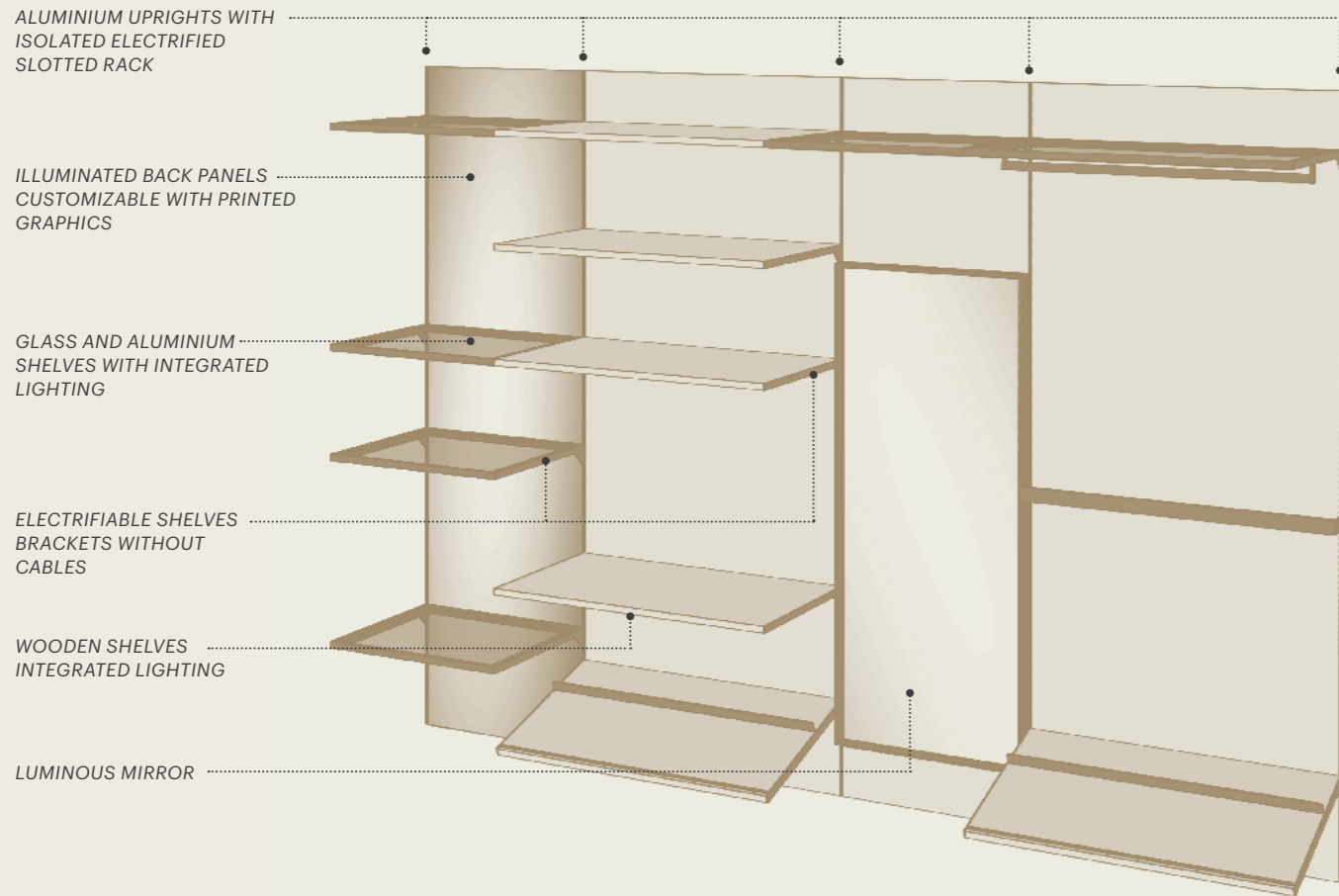
IDEAL FOR

- clothing
- eyewear
- fashion accessories
- cosmetic
- pharmacy
- luxury retail

FEATURES

- modularity
- versatility
- no need for connectors





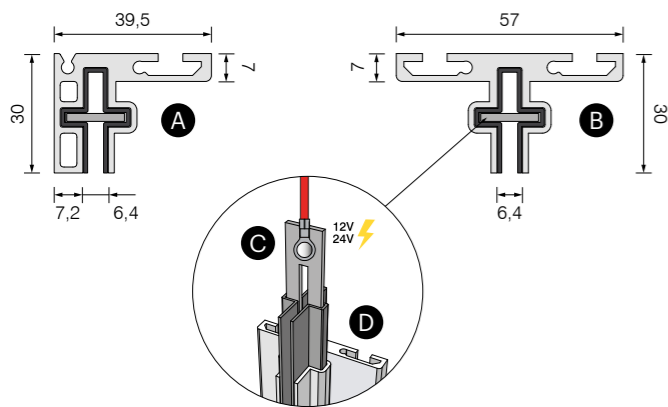
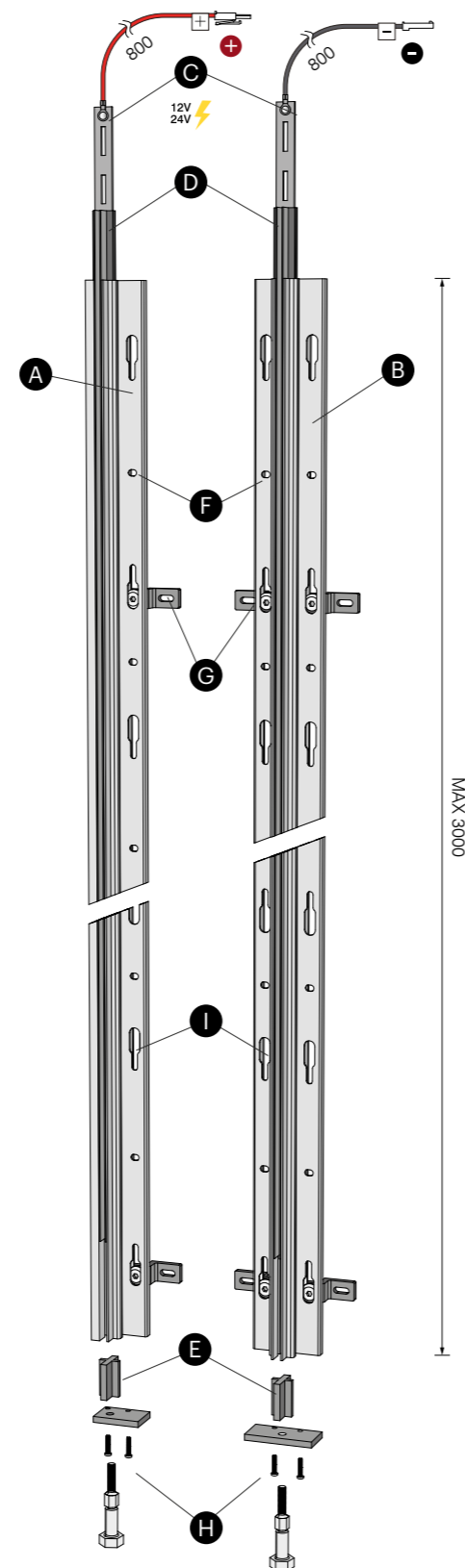
A wide range of solutions and lighting systems to furnish wall panelling at your needs, enhancing each room with ease and without the use of cables:

- Electrifiable shelves brackets
- Linear lamps for wooden shelves
- Glass and aluminum shelves complete with integrated lighting
- Luminous mirrors
- Illuminated back panels, customizable with prints for use as a visual communication tool

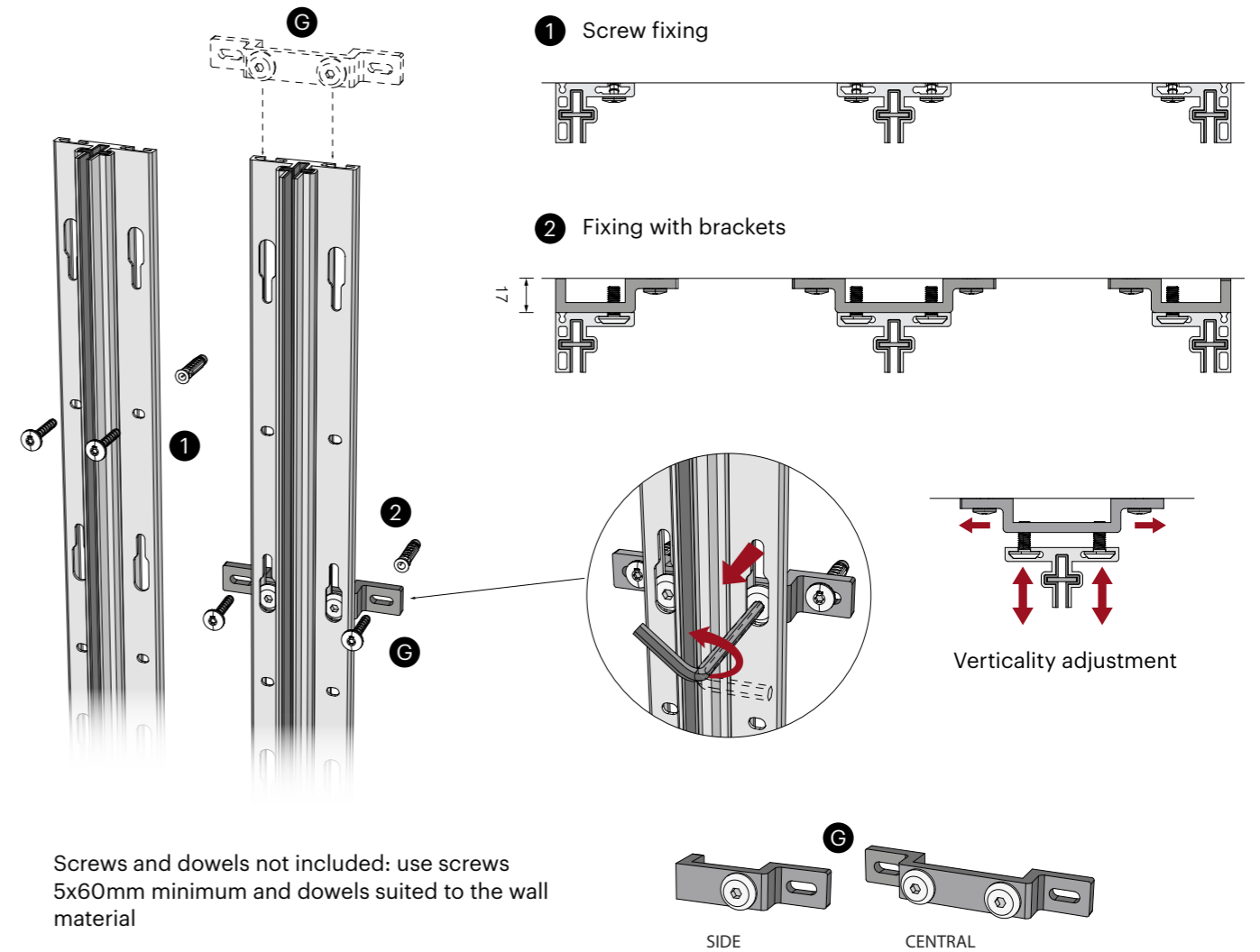


Aluminium uprights with electrified slotted rack

Thin Line system consists of 2 vertical uprights (A - Side / B - Central) in which is inserted an electrified (12-24V) slotted rack made of high load resistance carbon steel (C - for shelf brackets housing): the rack is completely isolated from the aluminum uprights by means of an extruded profile (D) and a spacer (E- mounted on the base), both made of VO UL-94 fireproof polycarbonate. Uprights are pre-drilled to be reversible and mounted in any direction and can be directly fixed to the wall with screws (fixing holes F) or by means of galvanized carbon steel brackets for precision adjustment on uneven walls (G): the side profile can be used on both end of the wall panelling (left/right). Uprights are capped at the base with a steel plate complete with a setting foot (H), by means of which it is possible to adjust the height of the rack inside the upright for perfect shelves alignment. The Thin Line system is compatible with 10 to 23mm thick wooden backs (by the customer), fixed through the keyholes (I → p.13)

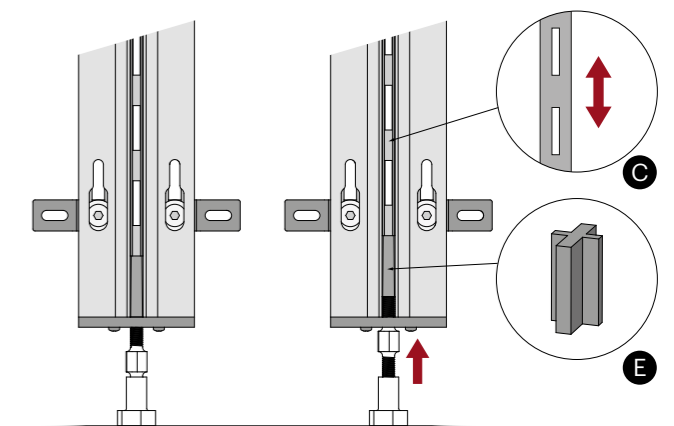


Wall fixing



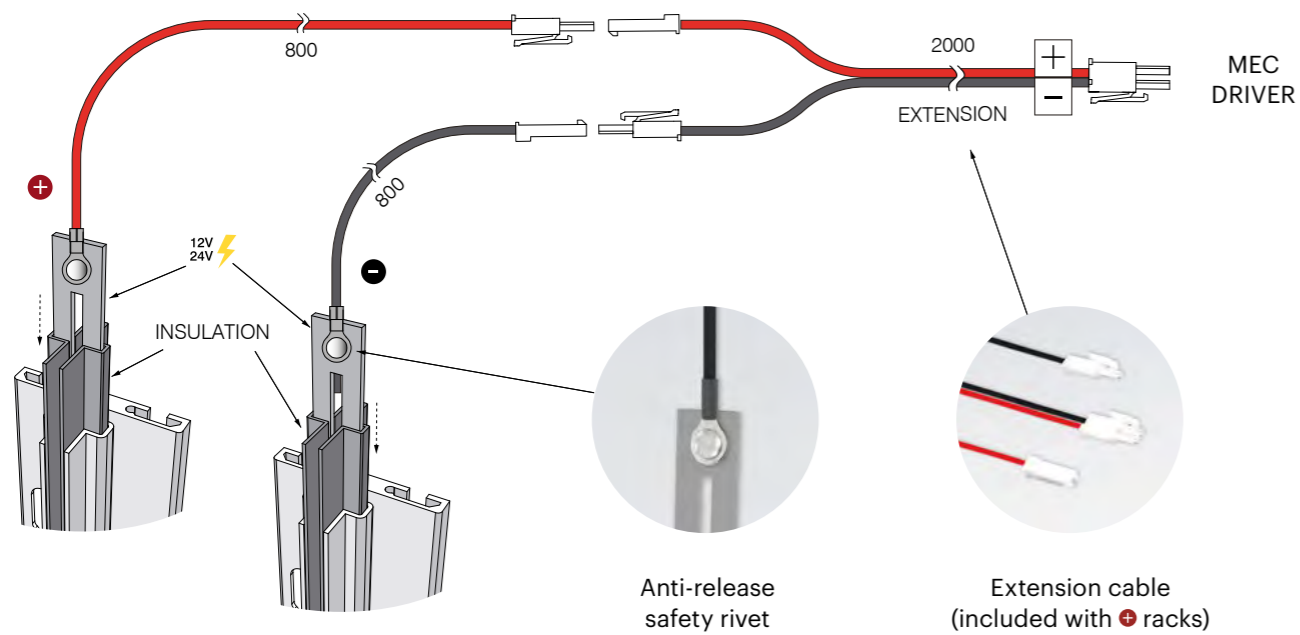
Double steel screw adjustable setting foot

Allows height adjustment of the electrified slotted rack (C) inside the upright for precision shelves alignment: the whole system is electrically isolated by means of a plastic spacer (E) placed between the rack and the adjustable foot.

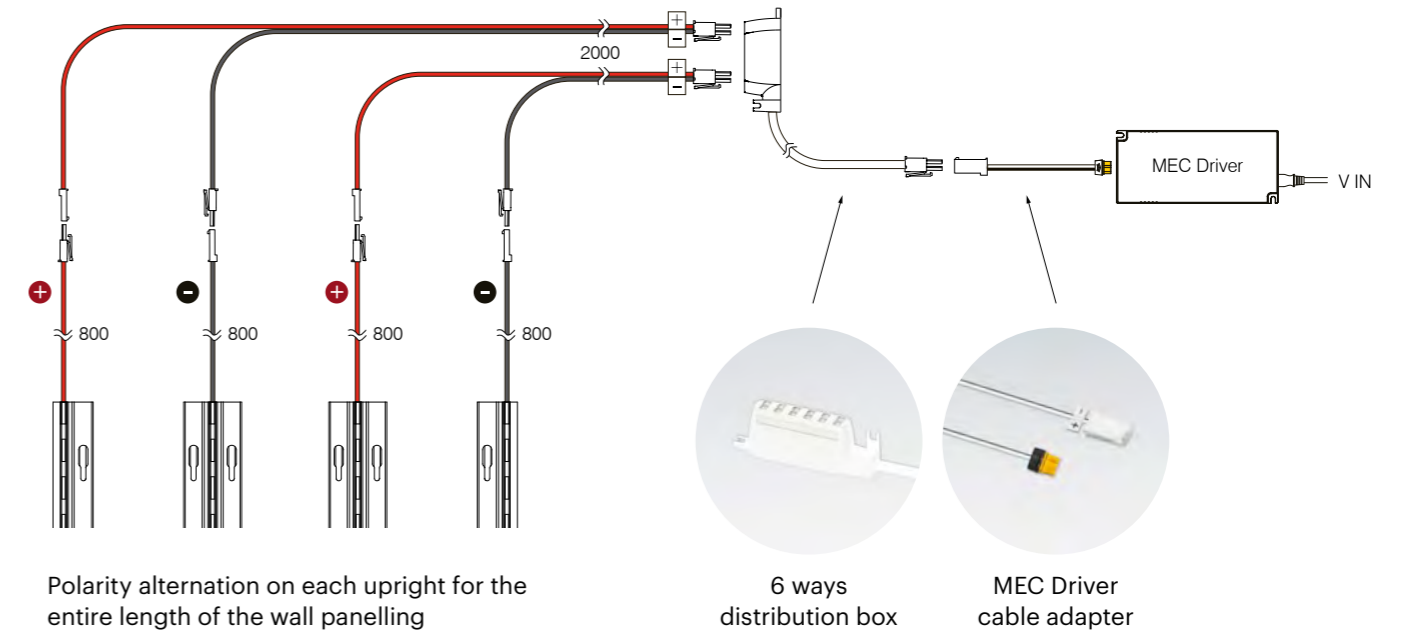


Polarized 12-24V electrified slotted rack

Thin line system features an electrified (12-24V) carbon steel slotted rack to be inserted into the aluminum upright, completely isolated by means of a plastic extrusion (made of VO UL-94 fireproof polycarbonate). To ensure the best electrical conduction, the steel rack is previously subjected to a special copper and nickel plating surface treatment. Each rack carries a single polarized electrical signal (+ or -) which is transmitted to the LED lamps installed on the shelves through the support brackets (→ p.14). In order to correctly power the installed luminaires, it is necessary to respect the polarity alternation on each upright for the entire length of the wall panelling. Each rack is supplied with a monopolar cable (red + / black) secured by means of an anti-release safety rivet and complete with connector. For the mains connection, use a driver with the same voltage (12V or 24V) as the lamps installed on the shelf: the power (W) supplied by the driver must always be greater than the total load applied (number of lamps mounted on the shelf).



Single LED Driver connection



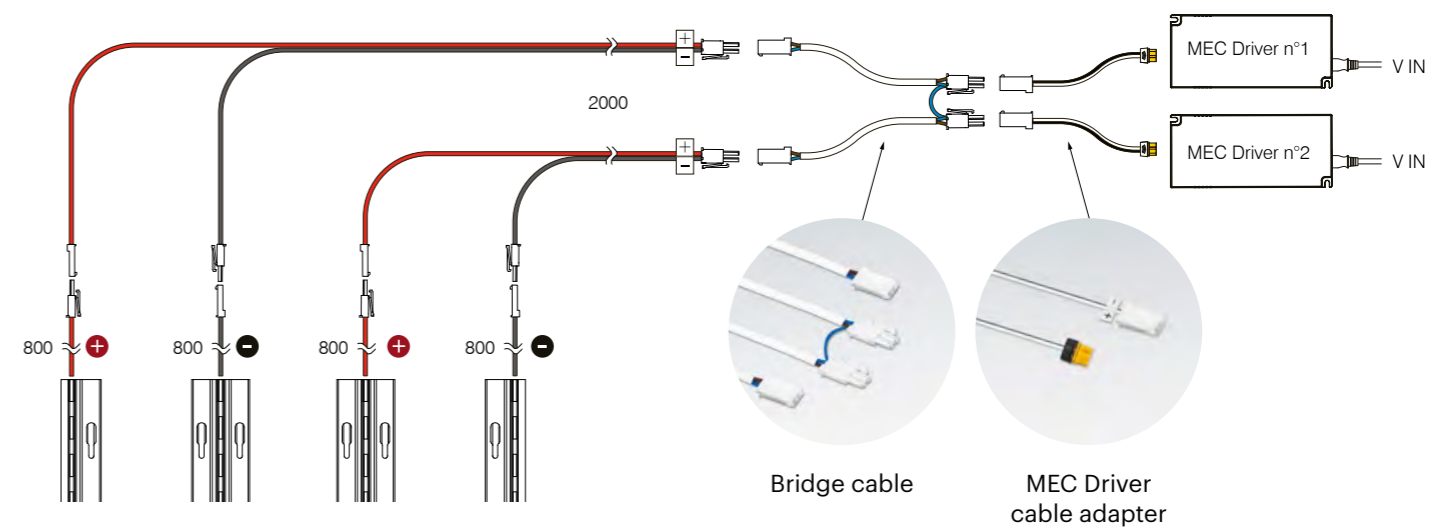
Polarity alternation on each upright for the entire length of the wall panelling

6 ways distribution box

MEC Driver cable adapter

Multiple LED Driver connection

In case multiple LED Drivers are needed on the same Thin Line, Drivers must be connected together by means of a bridge cable.



Polarity alternation on each upright for the entire length of the wall panelling

Bridge cable

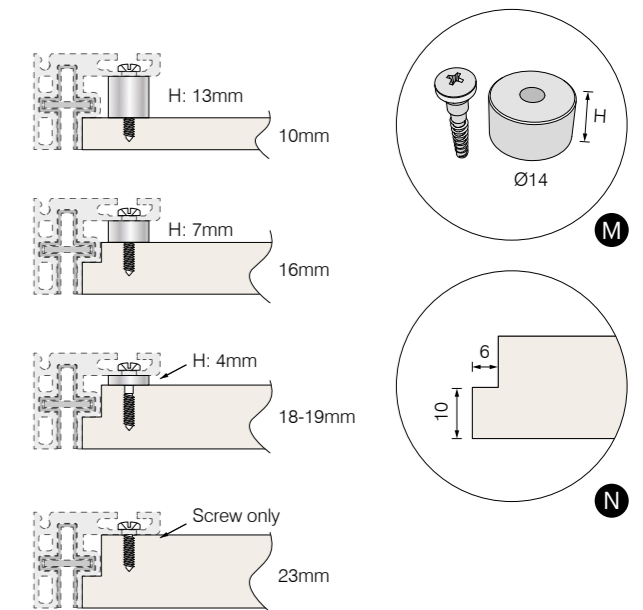
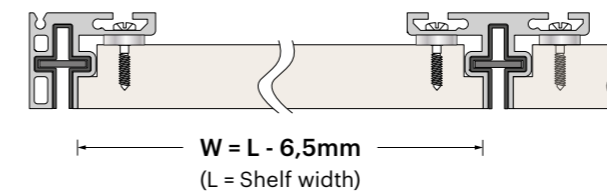
MEC Driver cable adapter

Driver not included

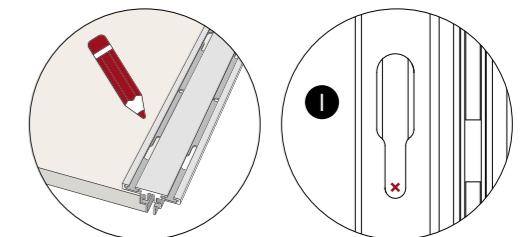
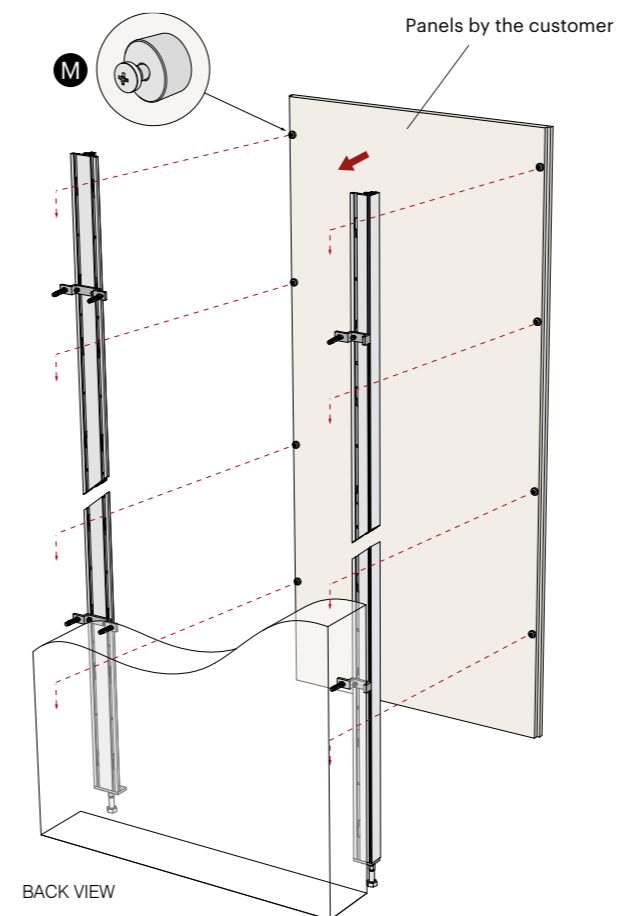


Wooden back panel slide and interlocking assembly

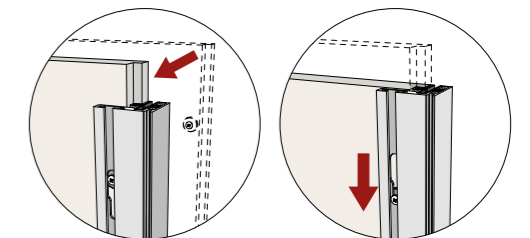
Thin Line system is compatible with wooden back panels with a thickness of 10, 16 or 19 mm, to be hung on the uprights through the dedicated holes (I), with collar screws fixed on the back with a spacer (M - specific for each panel thickness: approximately 4 screws on each side for a 3 meters high panels). Panels thicker than 10mm require a grooving on the side (N) to correct fit the upright. Panels with 23 mm thickness can be hung without spacer, by means of screws only.



The width of the panel (W) is related to the width of the used wooden shelf (L, thickness of the shelf support brackets excluded)



Use one of the uprights as a template to mark the fixing points

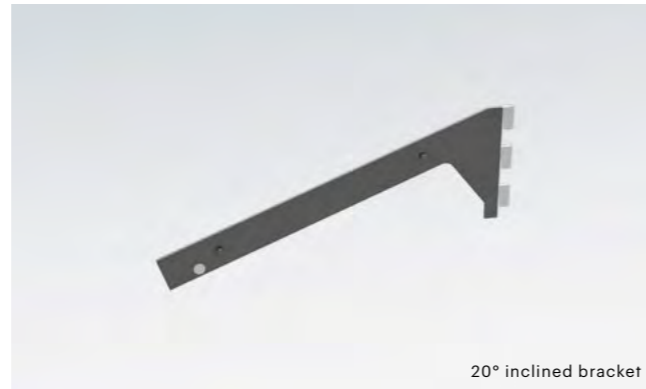


Sliding and anchorage of back panel on upright

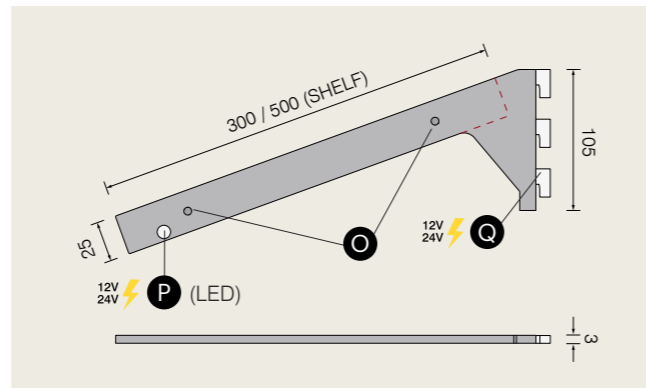
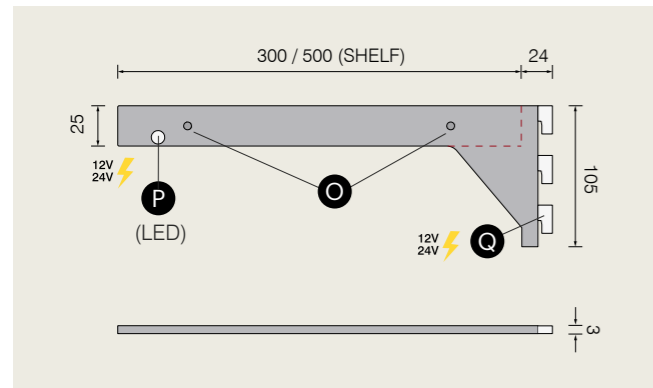
Electrifiable shelves brackets



Linear bracket



20° inclined bracket



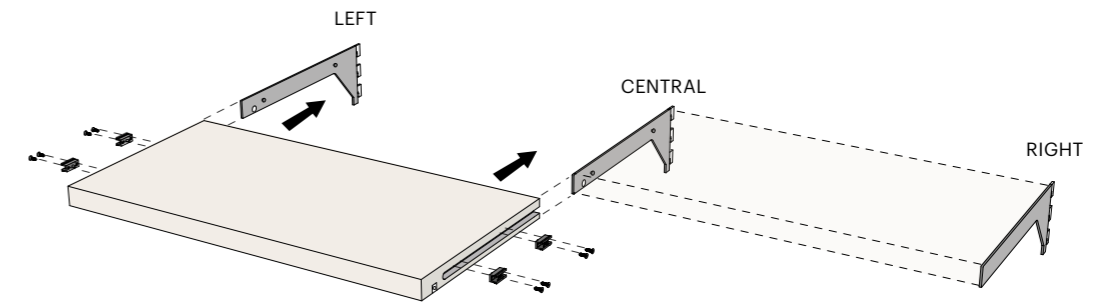
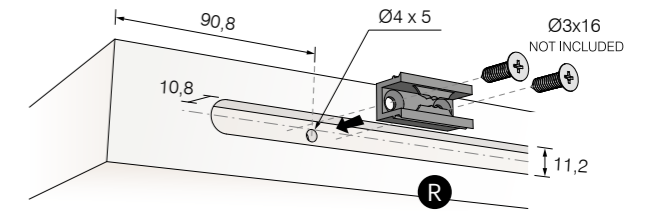
Made of 3mm steel; complete with shelf support pins (O) available for 25 thick shelves (others upon request) in linear and 20° inclined design, both in side (right and left) or central for in line shelves versions. To ensure the best electrical conduction, brackets are subjected to a special copper and nickel plating surface treatment, then subsequently covered with insulating epoxy paint layer (black or dark grey): electrification contacts (P/Q) are not painted, allowing the electrical 24V signal (+ / -) to be carried through the bracket, from the electrified rack inside the upright to the lamp installed on the shelf. Each bracket is supplied complete with an anti-release shelf support plug (R/S) to be installed on the shelf (the number and type vary based on the version of the bracket).



Max load: 15Kg

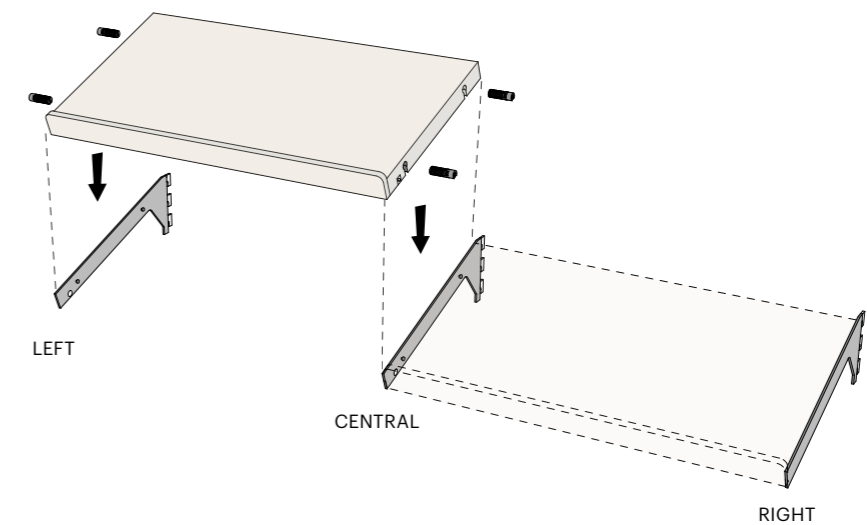
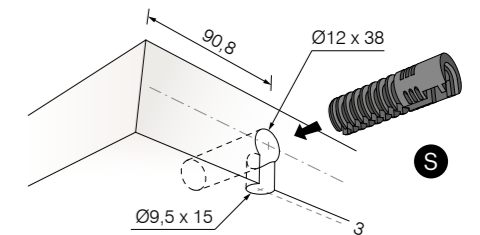
Anti-release shelf support plug (linear)

Each linear bracket is supplied complete with anti-release plug (R) for frontal insertion of the shelf onto the support pins (O) on the brackets. Plugs must be mounted by means of screws (wooden shelves - side of the shelf requires milling - screws not included) or by pressure (glass shelves with aluminum frame - see p.19). The number of plugs included vary based on the type of bracket used (Left / Central / Right)



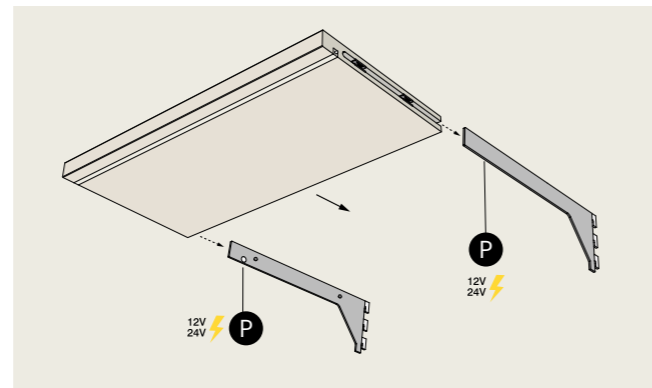
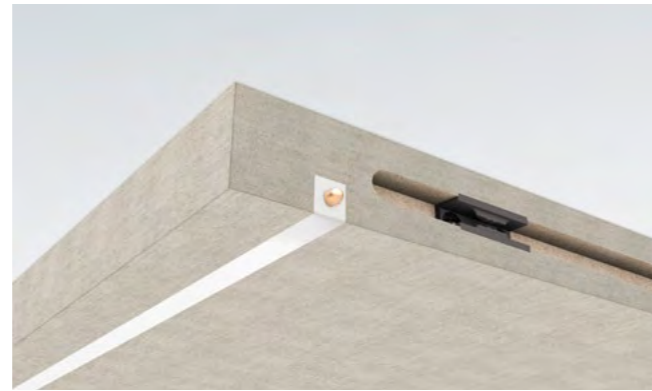
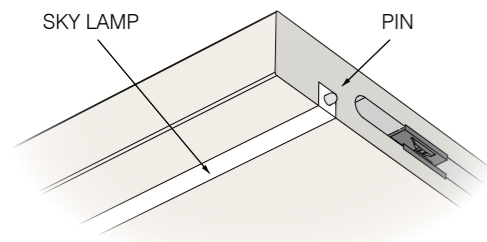
Anti-release shelf support plug (inclined)

Each inclined bracket is supplied complete with anti-release plug (S) for insertion from above of wooden shelves onto the brackets' support pins (O). The side of the shelves requires specific milling for the plugs to be inserted. The number of plugs included vary based on the type of bracket used (Left / Central / Right)



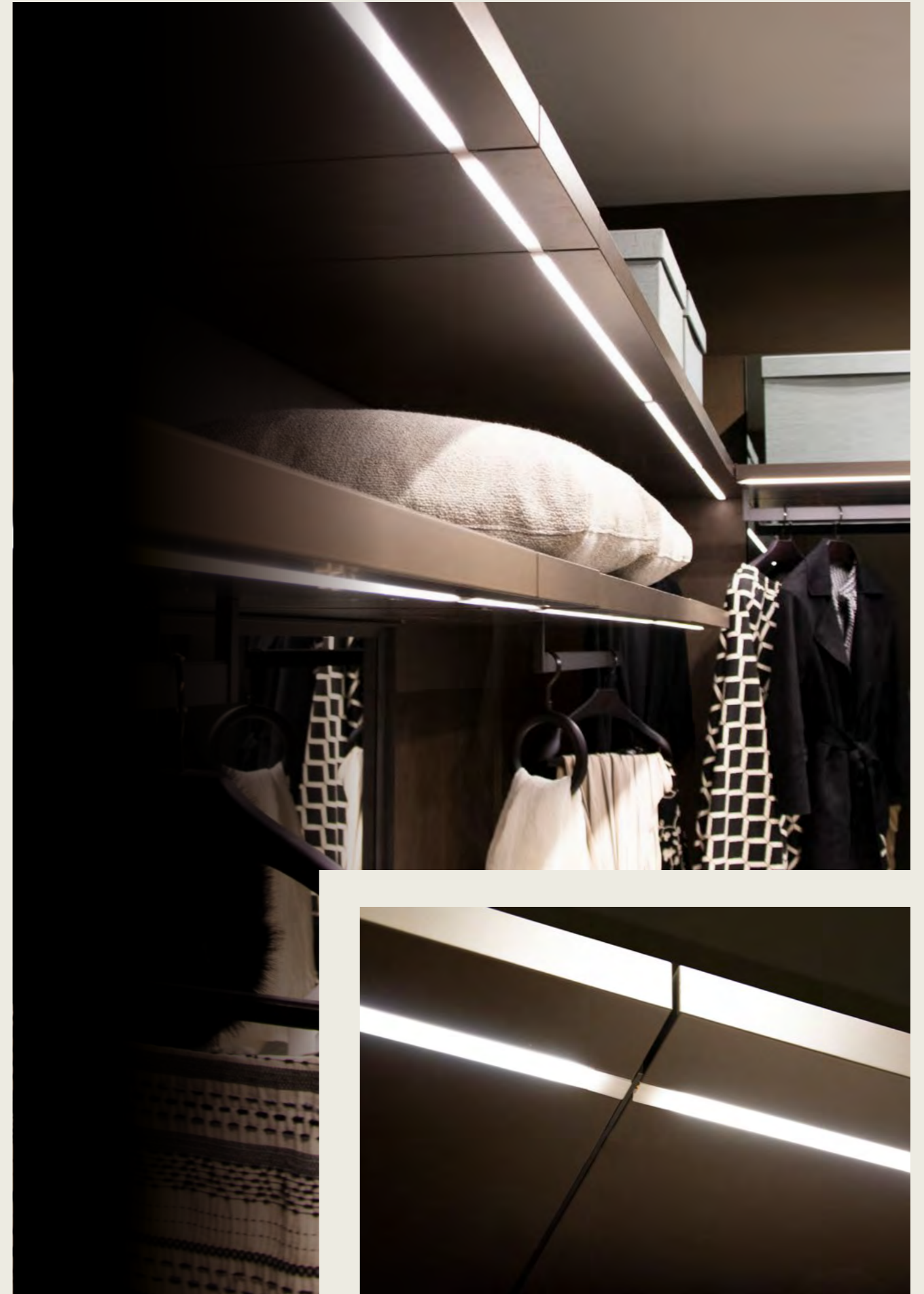
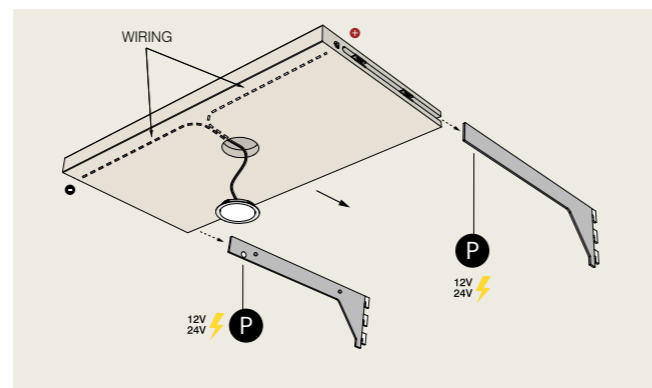
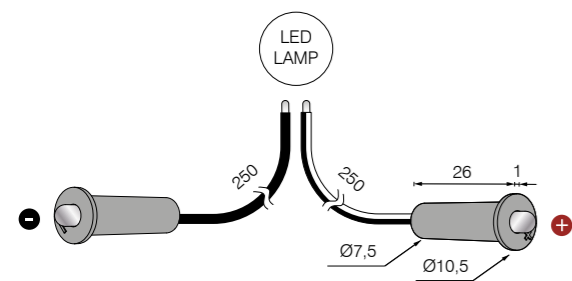
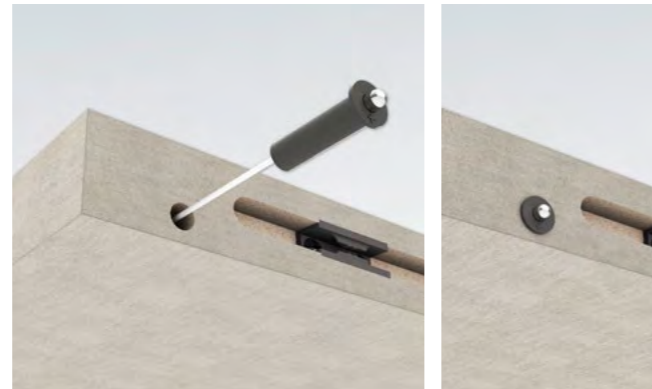
Lamps with integrated contacts

Thin Line System integrates perfectly with SKY PIN, the collection of linear lamps complete with integrated spring loaded contacts: the lamp is installed in the shelf without wiring, aligned with the electrified contact point on the support brackets (P). It is recommended, for ease and flexibility during installation, to opt for the "depolarized" SKY PIN versions, which allows the installation of the lamp in any orientation (no need to respect the electrified support bracket's polarity). Upon request it is possible to customize the position on the support bracket of the electrified contact point, thus choosing the installation point of the lamp on the shelf.



Lamps with cabled connectors

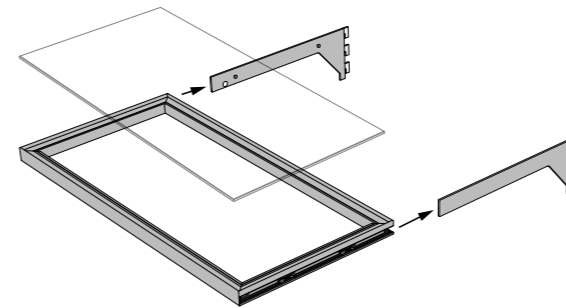
For other lighting systems it is possible to use a pair of connectors cabled to the lamp: connectors must be installed on the sides of the shelf, aligned with the electrified contact points (P) on the support brackets. To optimize the wiring inside the shelf, both the positioning of the electrified contact point and the length of the lamp cable can be customized upon request.





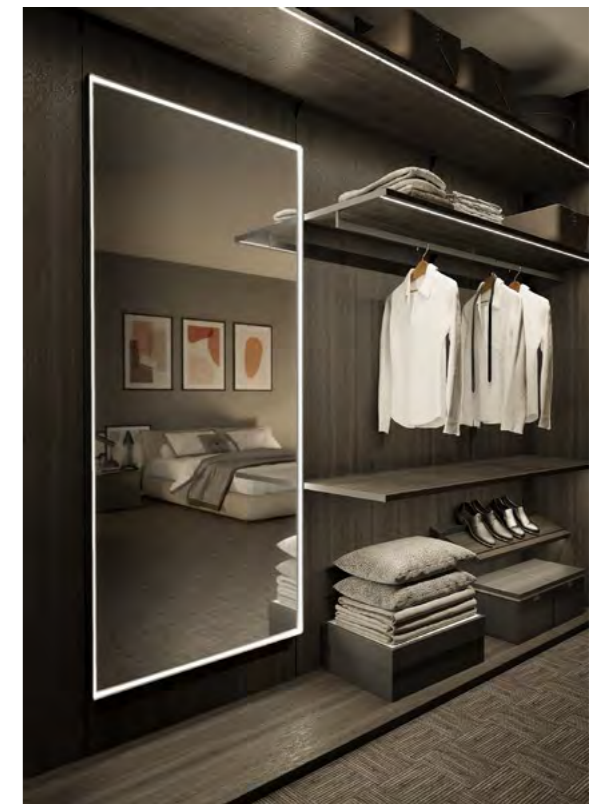
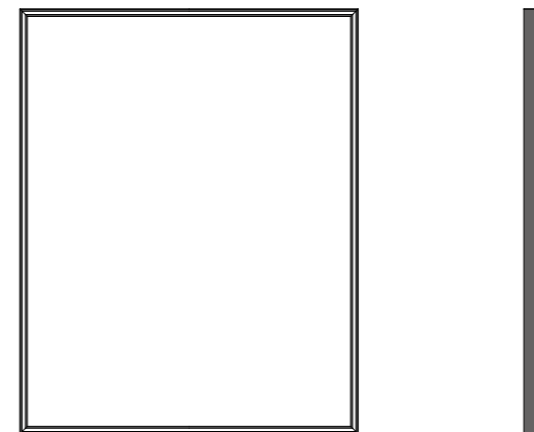
Glass shelf with aluminum frame

Anodized aluminium frame in black or titanium bronze finish, complete with integrated lighting with electrification contacts; 4mm transparent glass; compatible with linear shelves support brackets. Custom measures upon request.



VIP luminous mirror

Anodized aluminium frame in black or titanium bronze finish; front light on 4 sides, with or without backlighting, and proximity swith mounted on the side; custom measures upon request.

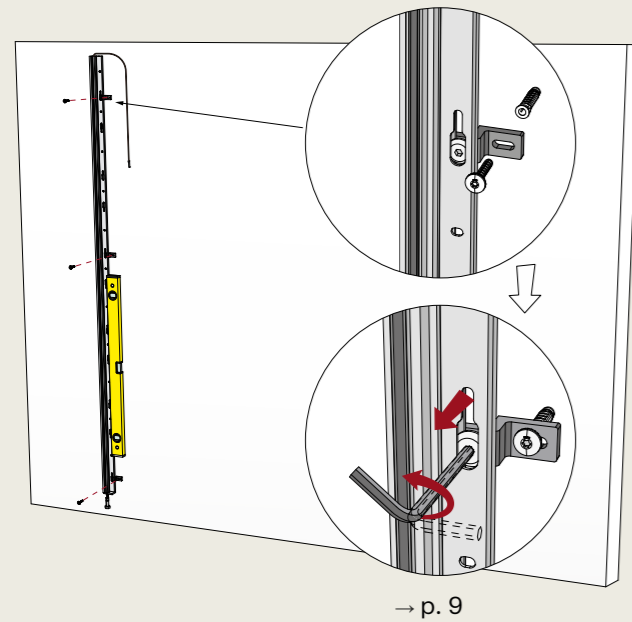


Solaris light panel

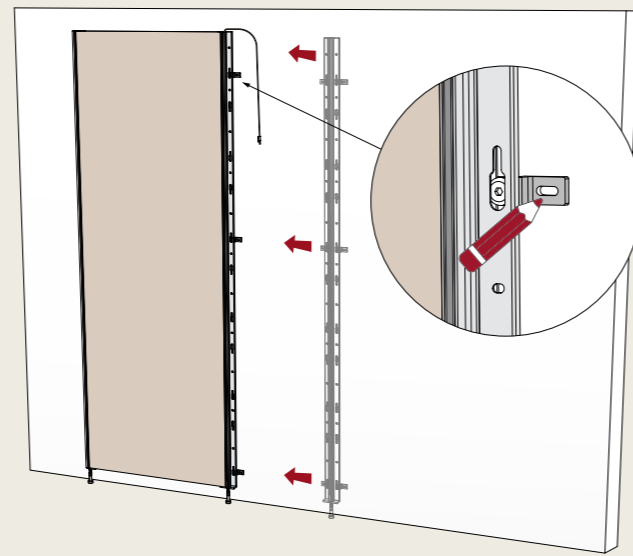
Bespoke measure only; frameless; replaces or integrates the wooden back panel; customizable with prints for use as a visual communication tool.



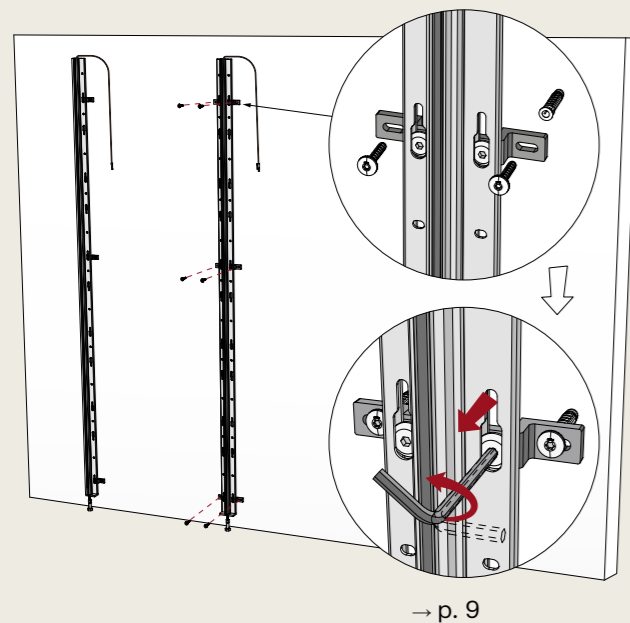
Wall panelling installation



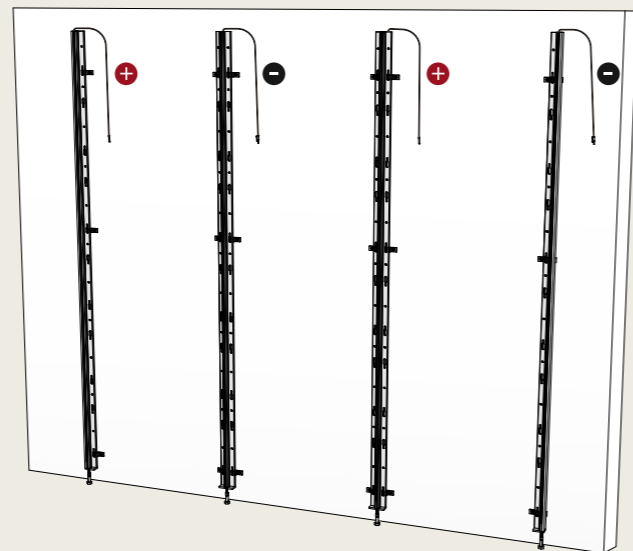
1 - Fix the first upright (side) to the wall, checking that it is levelled and adjusting its verticality using the wall fixing brackets



2 - Place the next upright (central): use a back panel as a template to locate the correct position of the upright and mark the fixing points

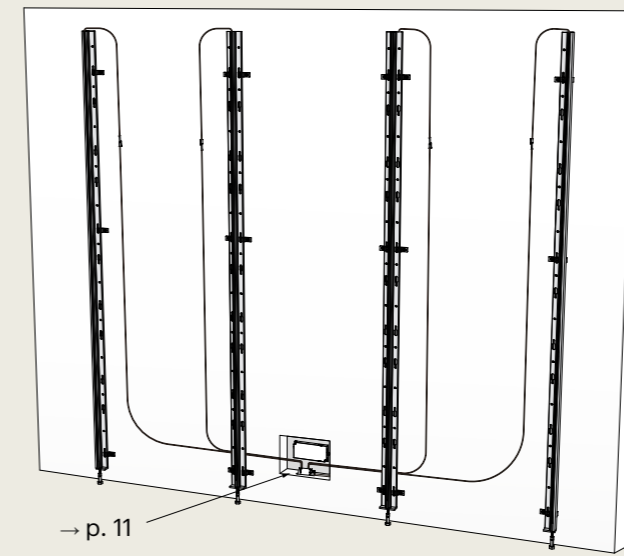


3 - Remove the back panel and fix the upright to the wall, adjusting its verticality using the wall fixing brackets

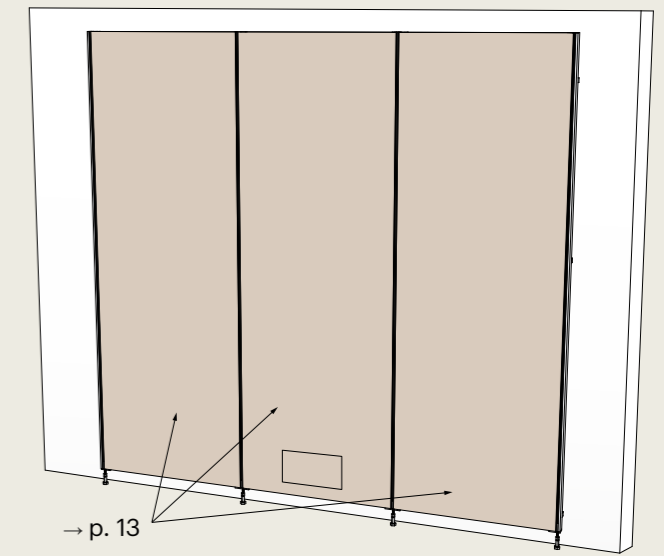


4 - Repeat steps 2 and 3 to complete wall mounting of all uprights, respect the polarity alternation on each upright for the entire length of the wall panelling

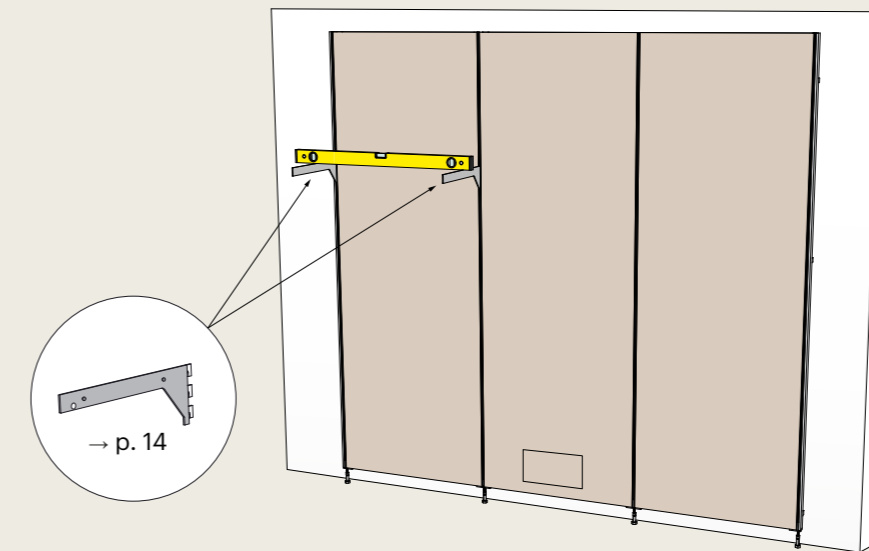
Wall panelling installation



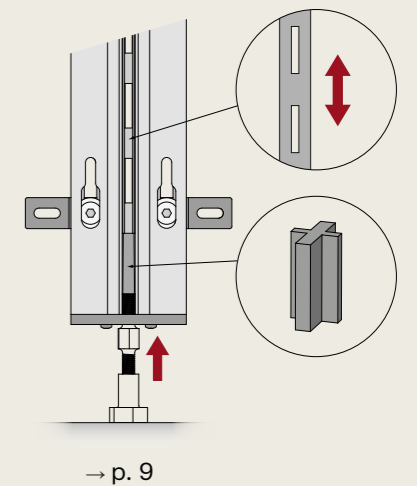
5 - Connect the polarized cables to the LED Driver (to be fixed to the wall or inside junction box / inspectionable compartment)



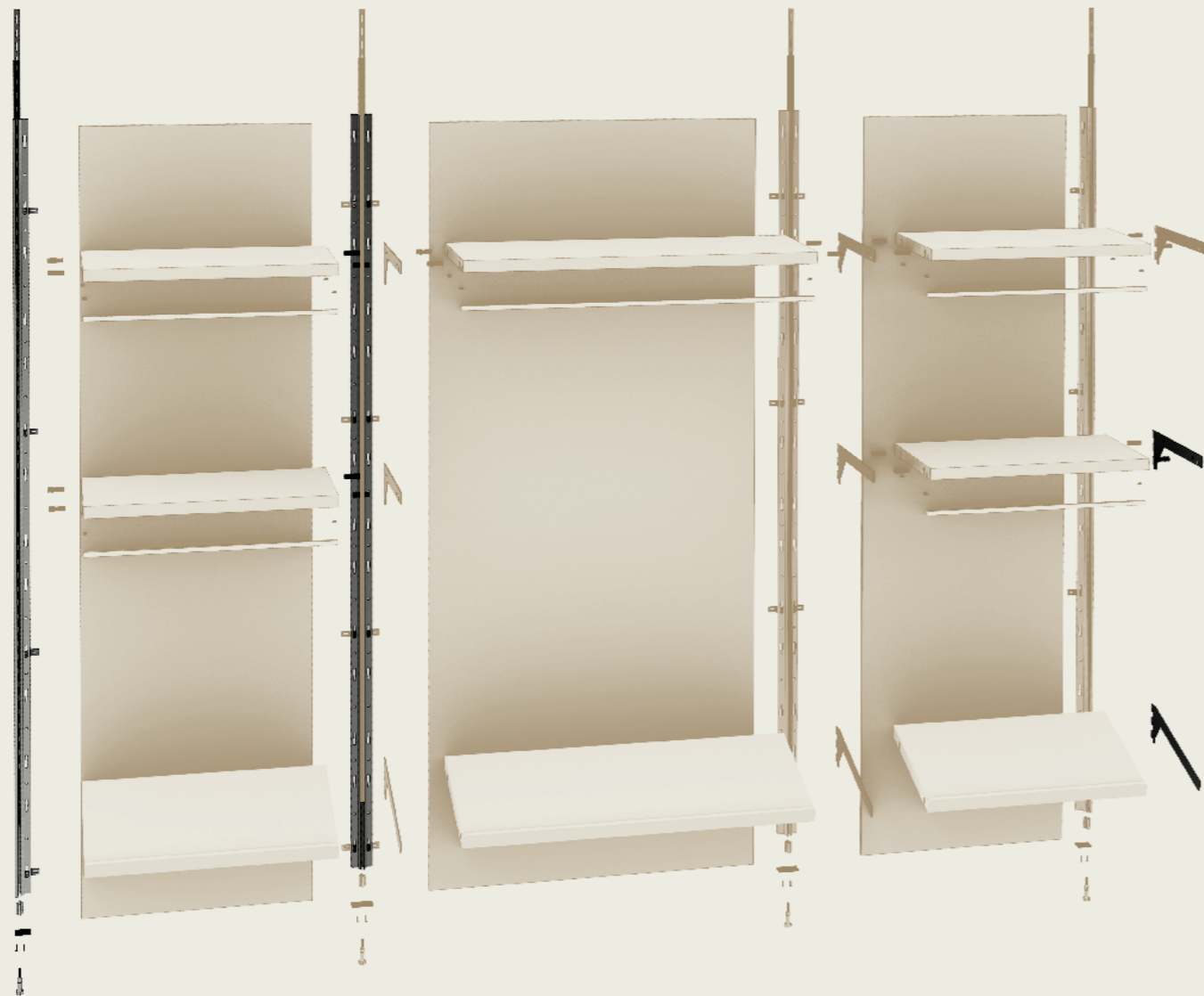
6 - Install the back panels on the uprights (sliding and anchorage): it is suggested to prepare an inspection hatch to access the LED Driver.



7 - Adjust the height of the slotted rack inside the uprights by means of the setting foot' screw: use two shelf brackets to check that the racks are levelled correctly (repeat the operation for the entire length of the wall panelling)



Configuration system

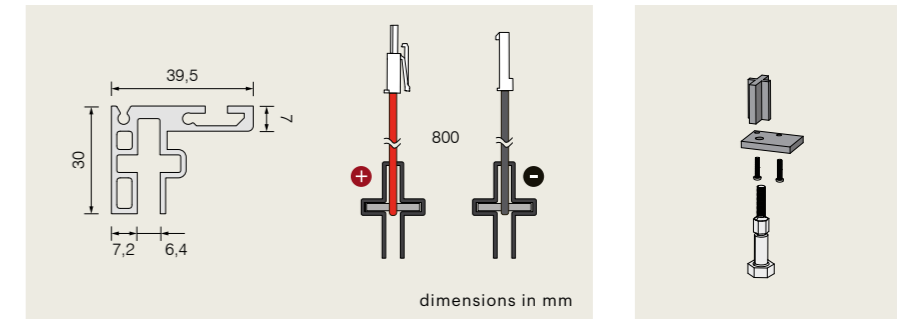


A Complete side upright

Anodized aluminium side upright; cabled slotted rack (+ / ●) complete with insulation profile; setting foot (not assembled). Extension cable (I → p.28) included with + rack. Screws and dowels for wall installation not included; other measures and finishes upon request



3000 mm			
Black	+	145TLL3000N	
	●	145TLL3000N1	
Aluminium	+	145TLL3000S	
	●	145TLL3000S1	

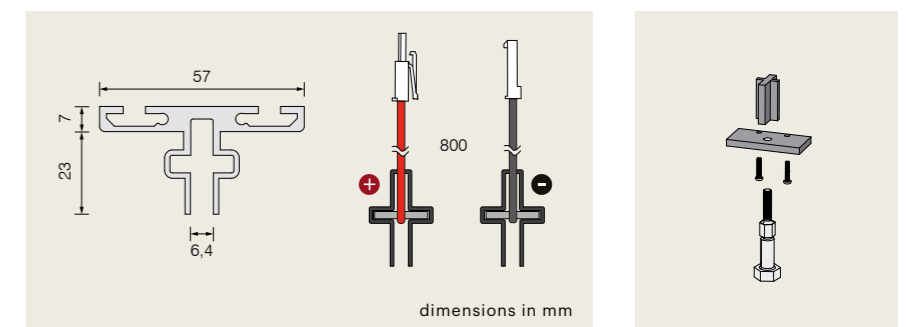


B Complete central upright

Anodized aluminium central upright; cabled slotted rack (+ / ●) complete with insulation profile; setting foot (not assembled). Extension cable (I → p.28) included with + rack. Screws and dowels for wall installation not included; other measures and finishes upon request



3000 mm			
Black	+	145TLC3000N	
	●	145TLC3000N1	
Aluminium	+	145TLC3000S	
	●	145TLC3000S1	

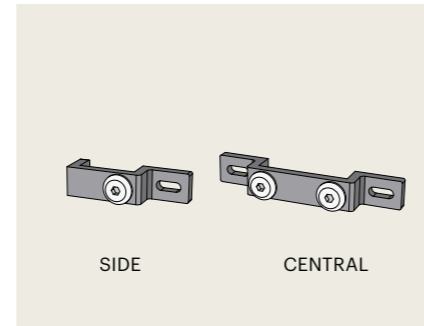


C Wall fixing brackets

Min. 3 brackets for 3m upright.
Screws and dowels not included.

3 pcs

Side	145TLK001
Central	145TLK002

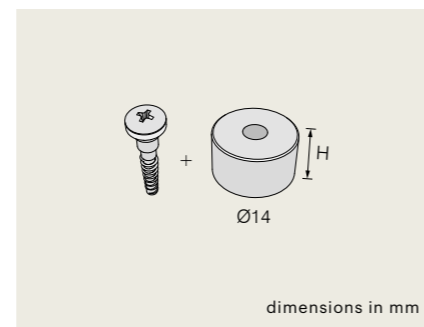


D Back panel fixing screw

Complete with spacer (specific for different panel thickness).

10 pcs

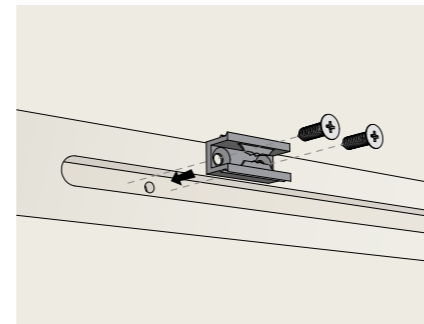
H 4 mm - 18-19mm panel	145TLK003
H 7 mm - 16mm panel	145TLK004
H 13 mm - 10mm panel	145TLK005



E Anti-release shelf support plug

Included with linear shelves support brackets (plug number depends on bracket's type).
Screws not included

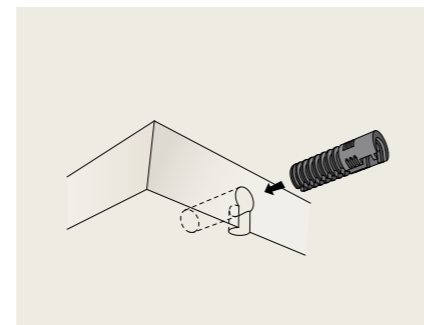
Left support bracket	2 pcs
Central support bracket	4 pcs
Right support bracket	2 pcs



F Anti-release shelf support plug

Included with inclined shelves support brackets (plug number depends on bracket's type).

Left inclined support bracket	2 pcs
Central inclined support bracket	4 pcs
Right inclined support bracket	2 pcs



G Electrifiable shelves brackets (linear)

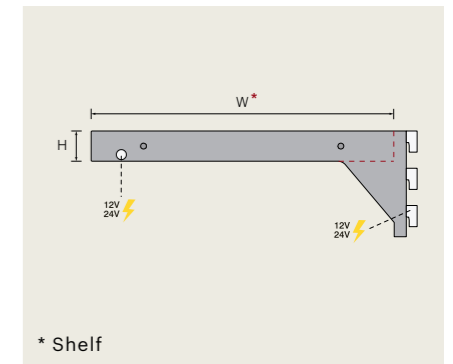
Made of painted steel (black or dark grey); other measures and finishes upon request; non electrifiable version on request.

W 300 x H 25mm (shelf dimension)

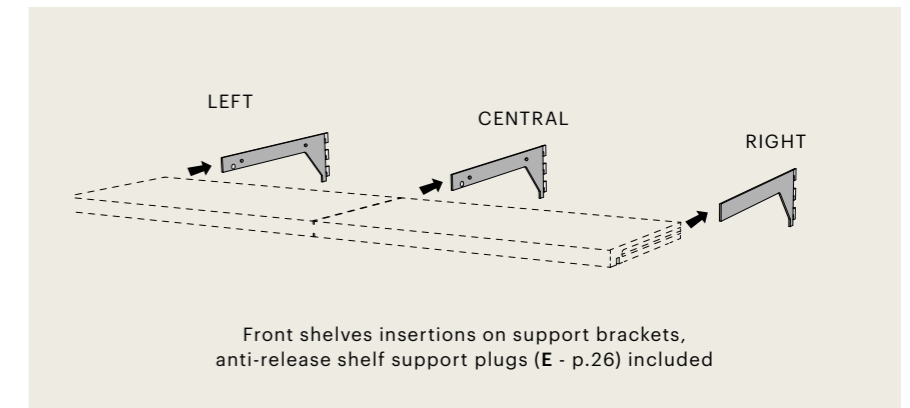
Nero	Left	145RL0300SXN
	Central	145RC0300N
	Right	145RL0300DXN
Grigio	Left	145RL0300SXM
	Central	145RC0300M
	Right	145RL0300DXM

W 500 x H 25mm (shelf dimension)

Nero	Left	145RL0500SXN
	Central	145RC0500N
	Right	145RL0500DXN
Grigio	Left	145RL0500SXM
	Central	145RC0500M
	Right	145RL0500DXM



* Shelf



H Electrifiable shelves brackets (inclined)

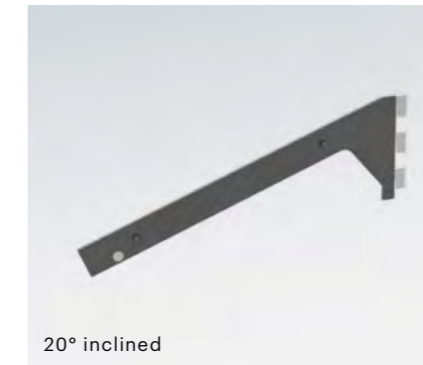
Made of painted steel (black or dark grey); other measures and finishes upon request; non electrifiable version on request.

W 300 x H 25mm (shelf dimension)

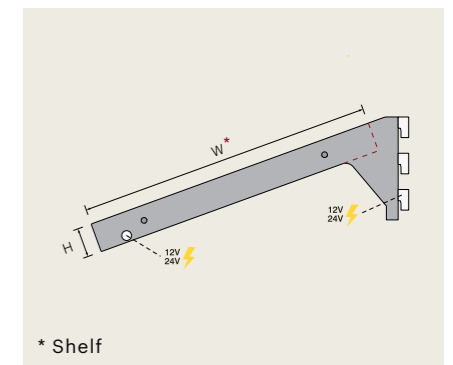
Nero	Left	145RIL0300SXN
	Central	145RIC0300N
	Right	145RIL0300DXN
Grigio	Left	145RIL0300SXM
	Central	145RIC0300M
	Right	145RIL0300DXM

W 500 x H 25mm (shelf dimension)

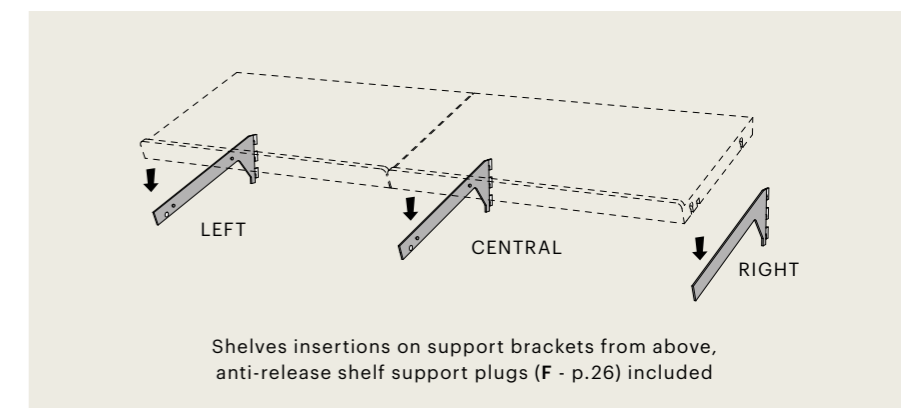
Nero	Left	145RIL0500SXN
	Central	145RIC0500N
	Right	145RIL0500DXN
Grigio	Left	145RIL0500SXM
	Central	145RIC0500M
	Right	145RIL0500DXM



20° inclined

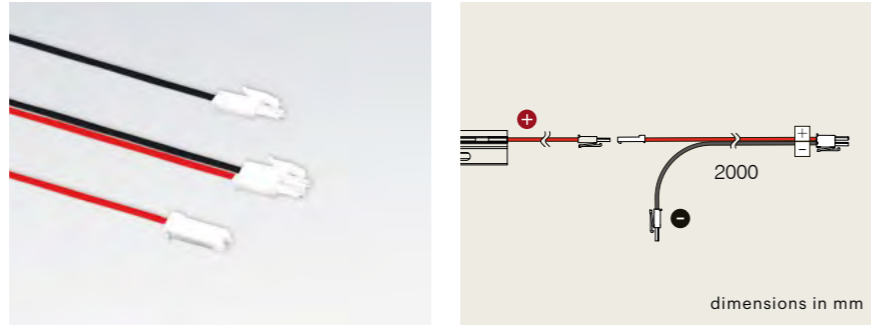


* Shelf



I Extension cable

Connection of two consecutive complete uprights (+ / ●); included with + racks. Diagram → p.10



2000 mm

1 pcs

dimensions in mm

L 6 Ways distribution box

For complete uprights connection to Driver. Diagram → p.11



1 pcs

3T3032B01

dimensions in mm

M Bridge cable

For complete uprights connection to multiple Drivers. Diagram → p.11



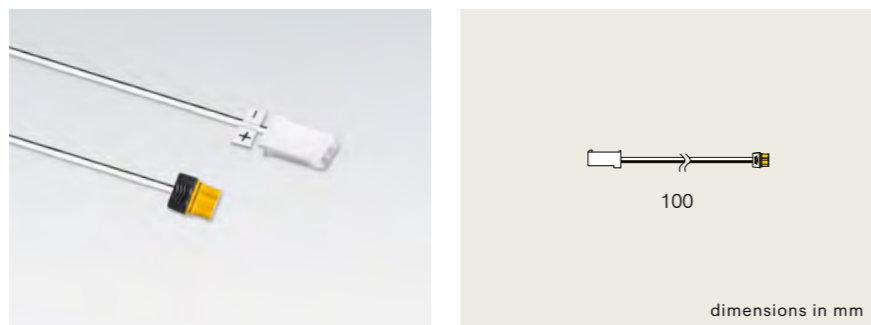
1 pcs

6CA6664

dimensions in mm

N MEC Driver cable

MEC Driver system cable adapter. Diagram → p.11



1 pcs

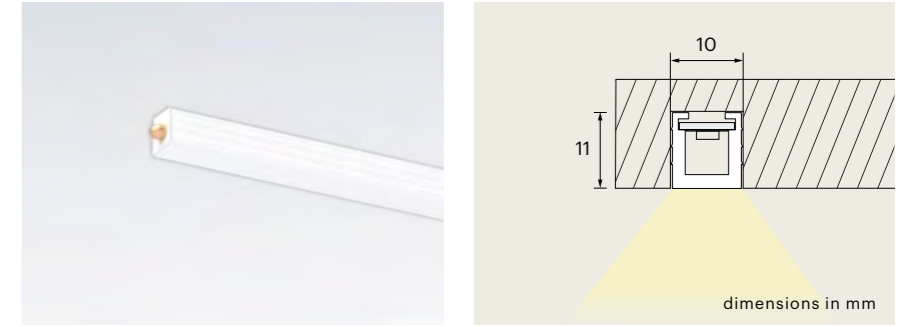
6LC10098

dimensions in mm

O SKY PIN

Linear recessed lamp with opal screen cover and depolarized spring loaded contacts. Descrizione → p.16

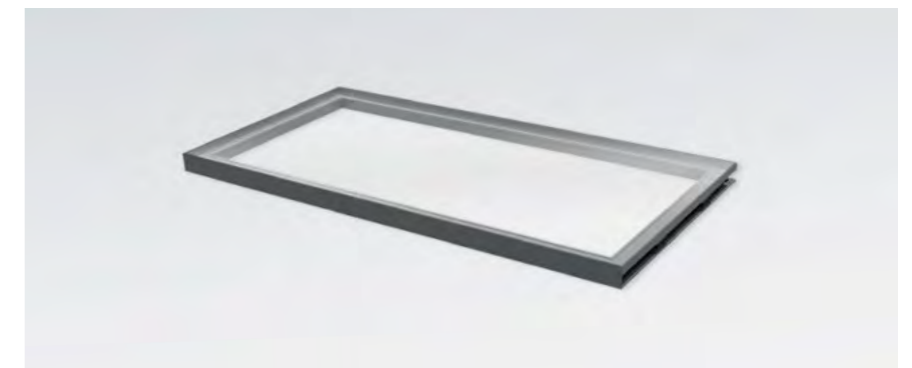
600mm	4,16W	2700K	182S0600CW
		4000K	182S0600CN
900mm	6,56W	2700K	182S0900CW
		4000K	182S0900CN



dimensions in mm

P Glass shelf with aluminum frame

Anodized aluminium frame in black or titanium bronze finish, complete with integrated lighting with electrification contacts; 4mm transparent glass; compatible with linear shelves support brackets. Custom measures upon request.



600 x 300 mm		4,16W
Black	2700K	193TL0001WN
	4000K	193TL0001NN
Titanium Bronze	2700K	193TL0001WBT
	4000K	193TL0001NBT

Black	2700K	193TL0002WN
	4000K	193TL0002NN
Titanium Bronze	2700K	193TL0002WBT
	4000K	193TL0002NBT

900 x 300 mm		6,56W
Black	2700K	193TL0003WN
	4000K	193TL0003NN
Titanium Bronze	2700K	193TL0003WBT
	4000K	193TL0003NBT

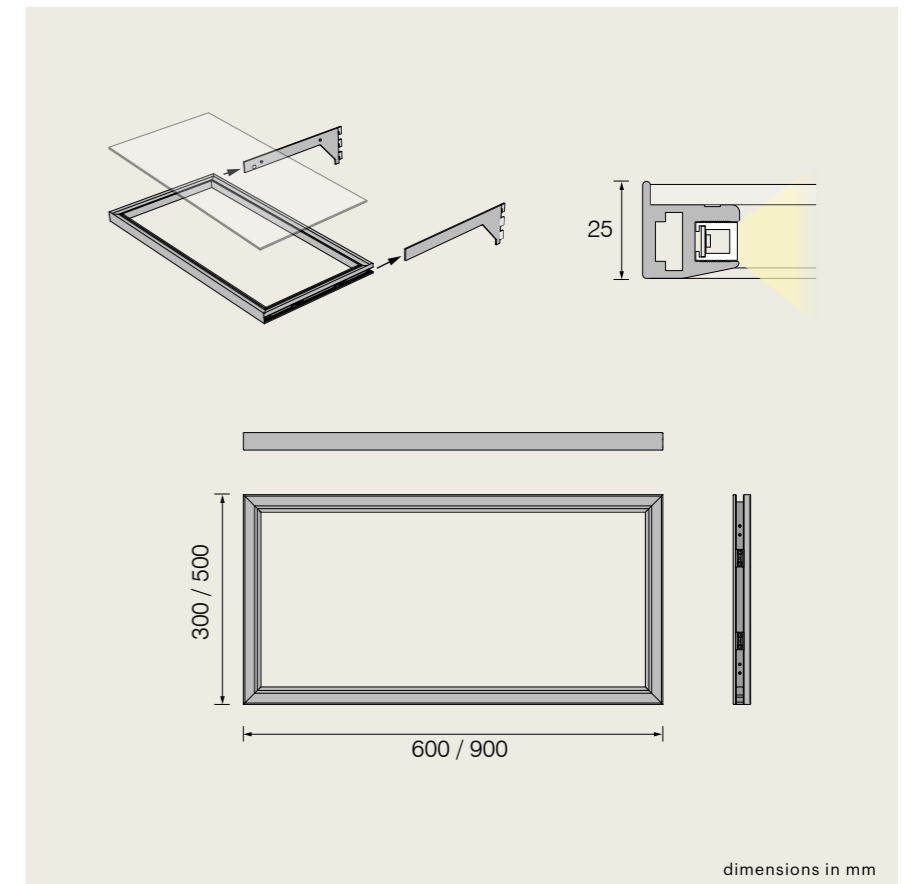
Black	2700K	193TL0004WN
	4000K	193TL0004NN
Titanium Bronze	2700K	193TL0004WBT
	4000K	193TL0004NBT

600 x 500 mm		4,16W
Black	2700K	193TL0003WN
	4000K	193TL0003NN
Titanium Bronze	2700K	193TL0003WBT
	4000K	193TL0003NBT

Black	2700K	193TL0004WN
	4000K	193TL0004NN
Titanium Bronze	2700K	193TL0004WBT
	4000K	193TL0004NBT

900 x 500 mm		6,56W
Black	2700K	193TL0004WN
	4000K	193TL0004NN
Titanium Bronze	2700K	193TL0004WBT
	4000K	193TL0004NBT

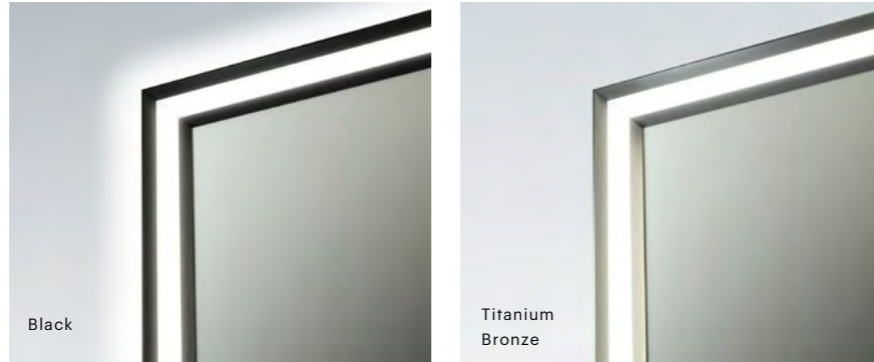
Black	2700K	193TL0004WN
	4000K	193TL0004NN
Titanium Bronze	2700K	193TL0004WBT
	4000K	193TL0004NBT



dimensions in mm

Q VIP luminous mirror

Anodized aluminium frame in black or titanium bronze finish; front light on 4 sides, with or without backlighting, and proximity switch mounted on the side (double switch in backlit models); custom measures upon request.



900 x 600 44W

Black	2700K	19440900W0600NI
	4000K	19440900N0600NI
Titanium Bronze	2700K	19440900W0600BTI
	4000K	19440900N0600BTI

900 x 600 with backlighting 60W

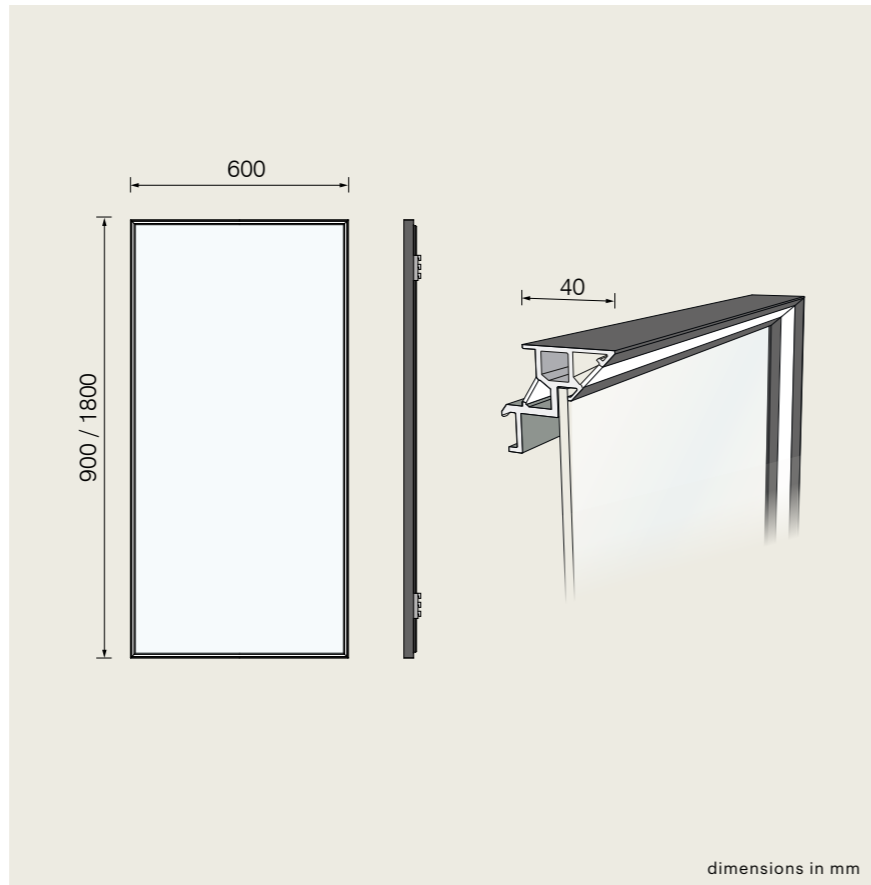
Black	2700K	19480900W0600NI
	4000K	19480900N0600NI
Titanium Bronze	2700K	19480900W0600BTI
	4000K	19480900N0600BTI

1800 x 600 66W

Black	2700K	19441800W0600NI
	4000K	19441800N0600NI
Titanium Bronze	2700K	19441800W0600BTI
	4000K	19441800N0600BTI

1800 x 600 with backlighting 98W

Black	2700K	19481800W0600NI
	4000K	19481800N0600NI
Titanium Bronze	2700K	19481800W0600BTI
	4000K	19481800N0600BTI



NOTES



Square Line

CE

PRODUCT DESIGN B+N INDUSTRIES

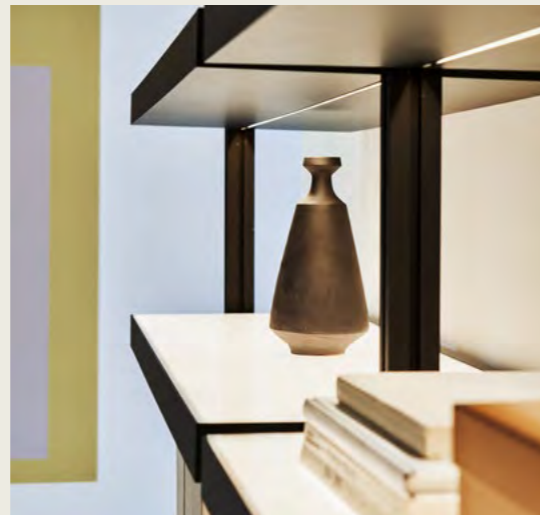
Create your project with personality. For living space, offices and retailers.

Square Line is an extremely versatile and functional electrified structure, which can be installed from floor to ceiling or mounted to the wall. Separate large spaces with the floor to ceiling solution without undergoing costly renovations. Modify the unit to your own comfort and needs.

Slender and elegant effect

Square Line combines elegant, black anodized aluminium profiles with casework, shelving, and cabinets in matte black laminate. Accessories are added with a dedicated connector without any visible wires. Adjust the position of any accessory to the height you prefer.

If you need to create an eye-catching merchandise display or simply bring some extra light into a space, Square Line is the perfect choice, thanks to the integrated electrified system for shelves, cabinets, light panels, hangrails, and other accessories.



Square Line

p. 68

IDEALE PER

- ufficio
- eyewear
- comunicazione visuale
- hospitality
- luxury retail

CARATTERISTICHE

- facile da installare
- estetica
- impatto emozionale
- autoportante

IDEAL FOR

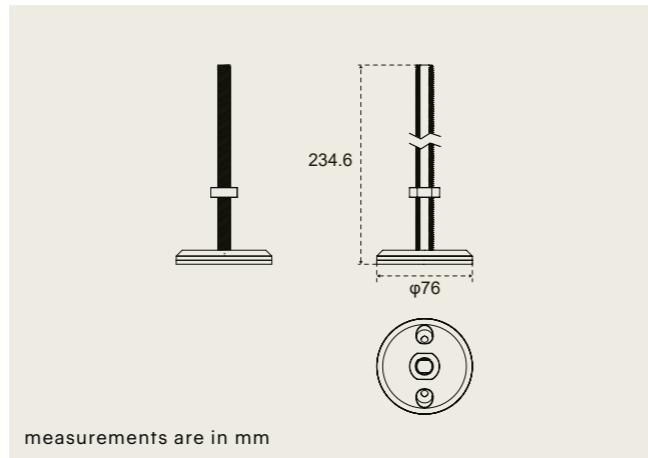
- office
- eyewear
- visual communication
- hospitality
- luxury retail

FEATURES

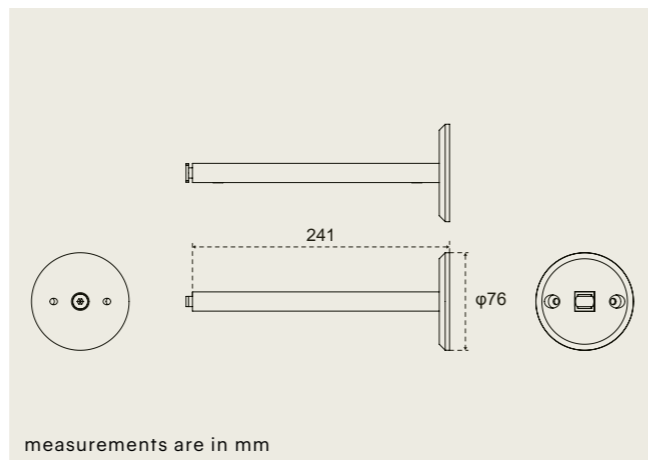
- easy to install
- aesthetics
- emotional impact
- freestanding different material



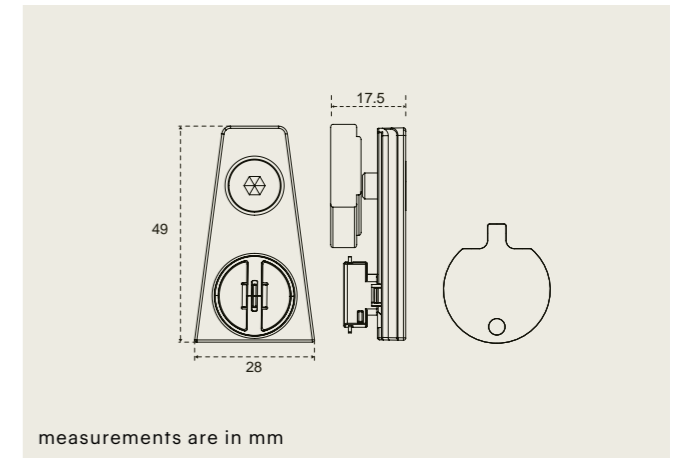
Top/bottom with tensioning nut Used to fix the bottom and ceiling pole



Tie back Fix the pole to the wall



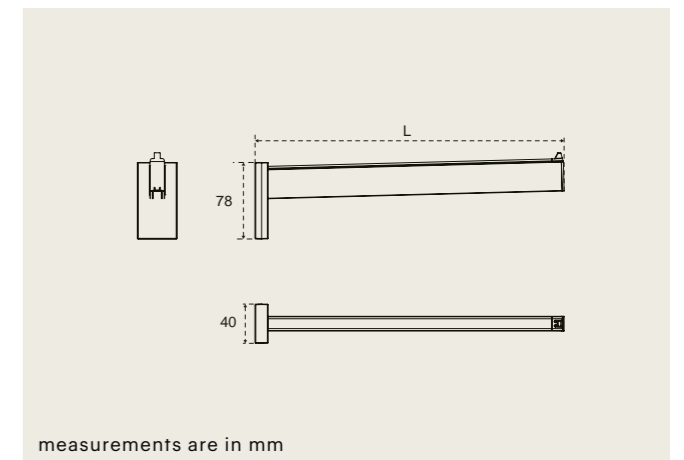
Pole plate assembly Fix the lamp on the pole and provide conductive



Lit face out For glass shelf



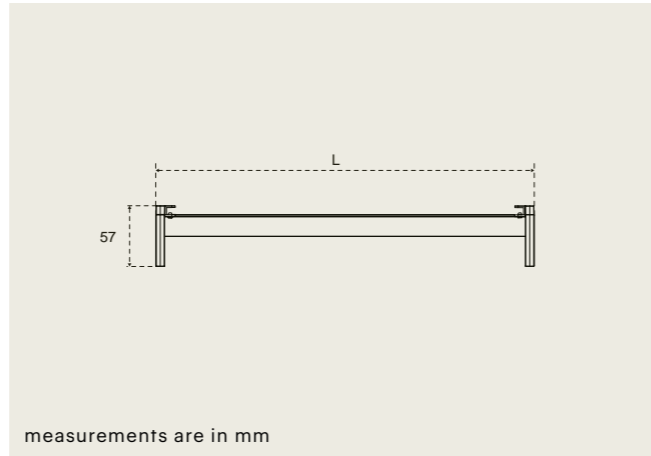
MODEL	
L 162 mm	Max.2W
L 314 mm	Max.3.6W



Spanning shelf It is used to fix the laminate in the middle



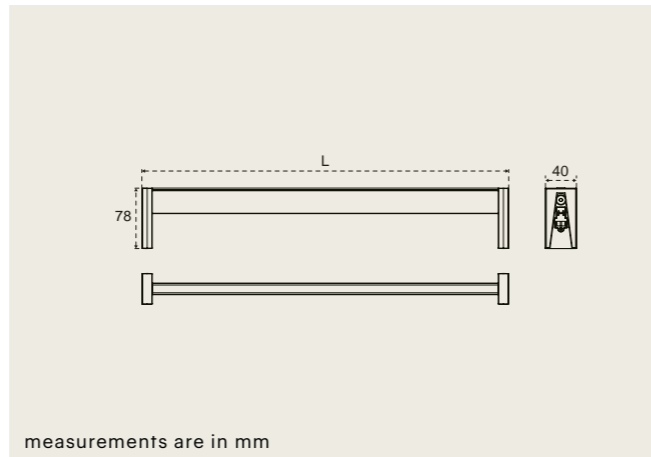
MODEL	
L 570 mm	Max.6.5W
L 1180 mm	Max.14.5W



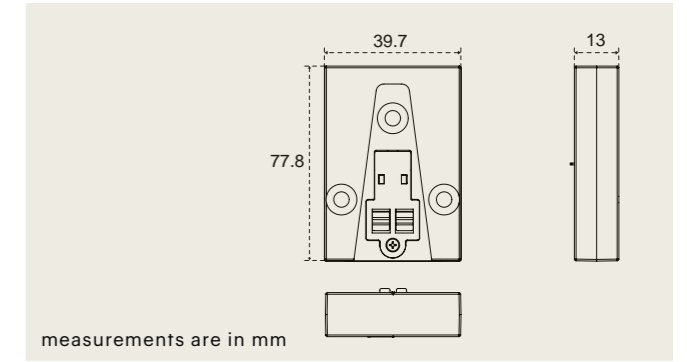
Lit spanning hangrail Lamps



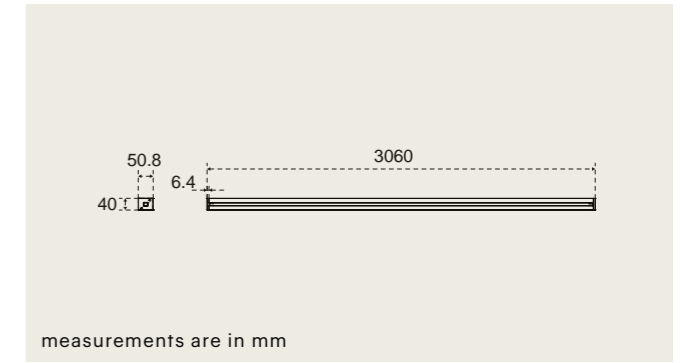
MODEL	
L 570 mm	Max.6.5W
L 1180 mm	Max.14.5W



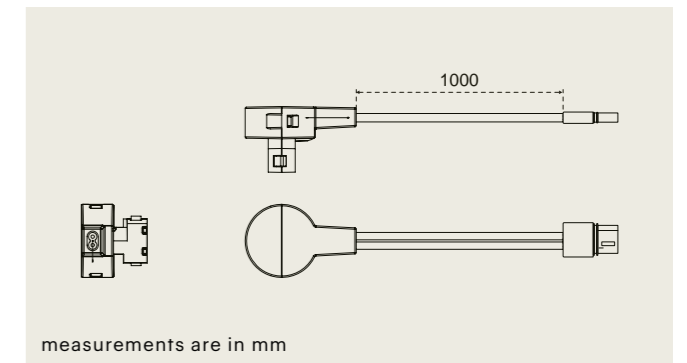
Millwork back plate, electrified Fix the panel light and provide conductive



Electrified extrusion assembly Pole



Power connector feed Power



Hi Line

CE

Horizontal free-standing wall panelling system, for retail and residential furnishing

Maximum flexibility and quick assembly for suspended and free-standing furnishing solutions, with the combination of aluminum structural profiles that can be installed on any type of wall.

A modular and versatile furnishing solution, Hi Line enhances living or exhibiting areas with lighting systems that can be easily inserted into the structures with magnetic fixing: the integration of Solaris light panels, customizable with printed graphics also as a visual communication tool, enables the assembly of original and stunning compositions. A wide range of accessories (shelves, object holders and wall units) allows for an neat and rational organization of every environment.

IDEAL FOR

- kitchen
- living room
- bathroom

FEATURES

- versatility
- easy installation
- wide range of accessories
- furnishing light

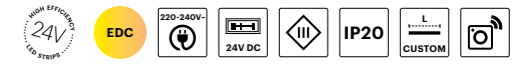




Smart and Remote Control of light effects

The Hi Line system light fittings, once connected with Mec Driver power supply and control platform, can be easily controlled via Smart L&S remote controls, L&S Apps or even integrating the most know voice controls commercially available.

Hi Line



LAMP - 24V DC - EDC

Code	Length	Power	Color Temperature
92900070300DND	900mm	8,1W	2700K-4000K
92900080300DND	1200mm	10,8W	2700K-4000K
92900090300DND	1500mm	13,8W	2700K-4000K
92900010300DND	1800mm	16,7W	2700K-4000K

ALUMINIUM PROFILES

Code	Length	Profile Type
92900020300	3950mm	Upper / Lower profile
92900030300	3950mm	Side profile
92900040300	3950mm	Rear profile

ACCESSORIES, CONTROL AND SUPPLY

EMOTION JUMPER
The included cable allows for colour temperature variation from 'warm' to 'natural' white (2700 K - 4000 K).

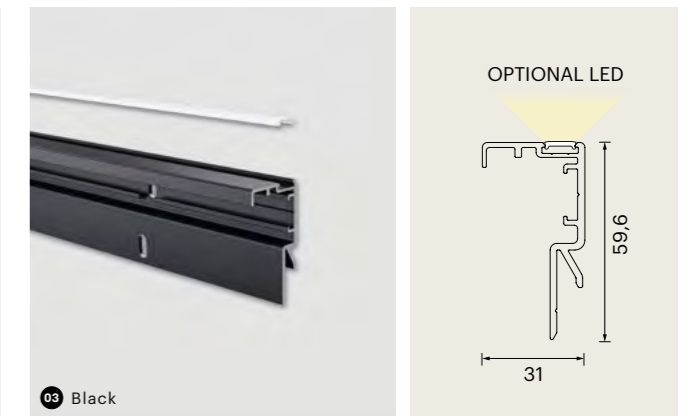
CONTROL
Product compatible with L&S remote controls of the Smart line.

SUPPLY
Mec Driver, complete platform of power supplies and receiving modules for light control.

Ⓐ Lamp profile



Ⓑ Upper / lower profile

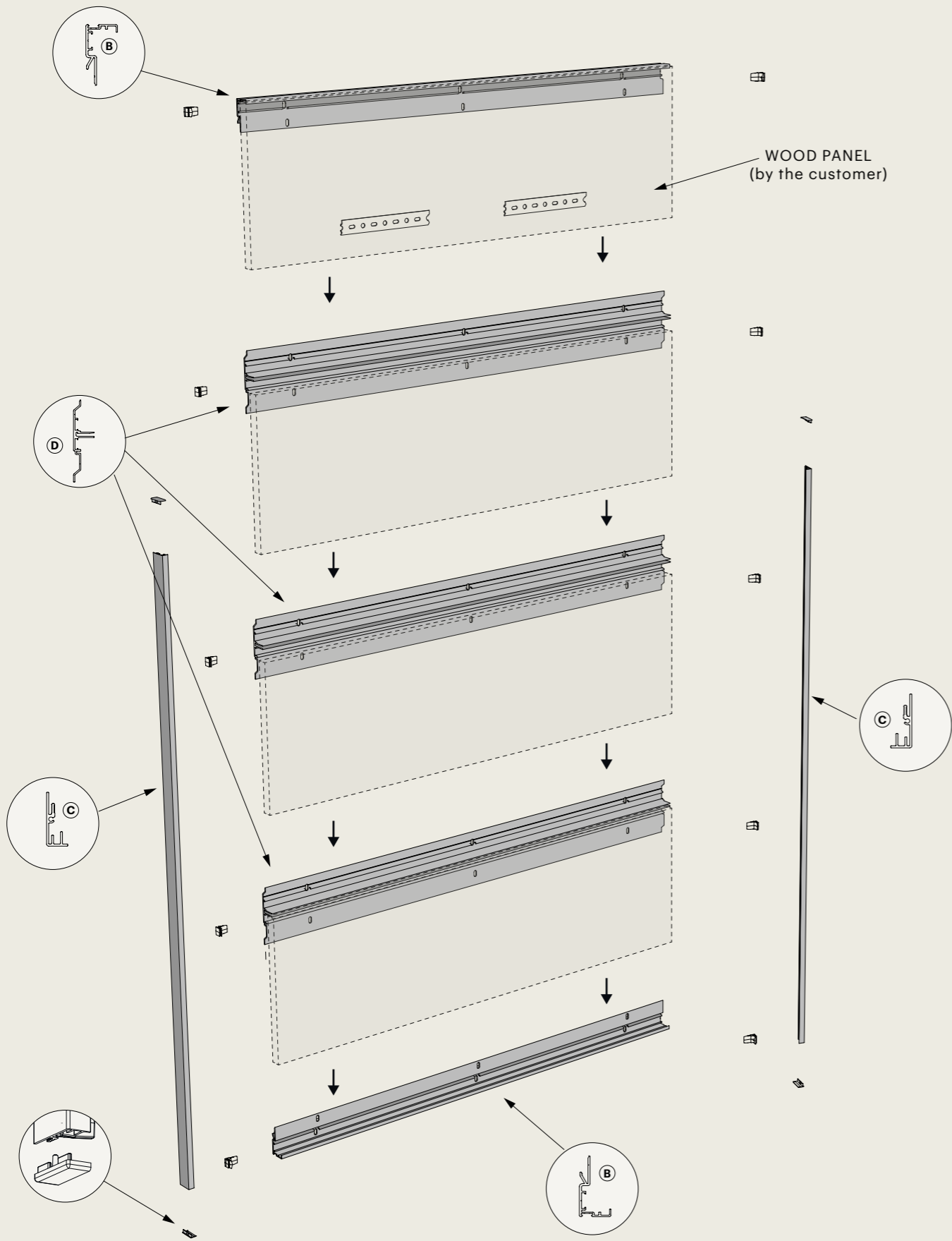


Ⓒ Side profile

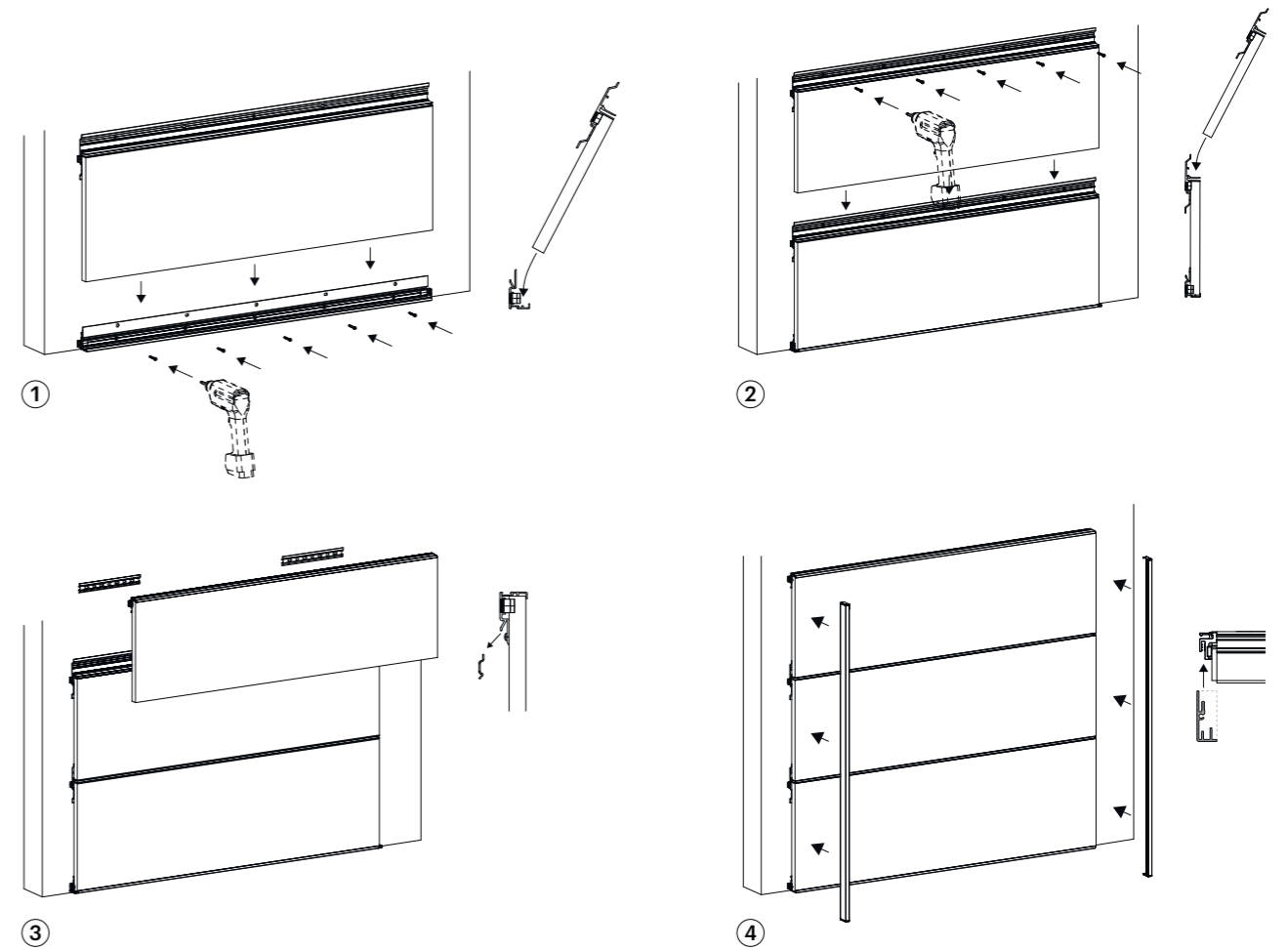


Ⓓ Rear profile

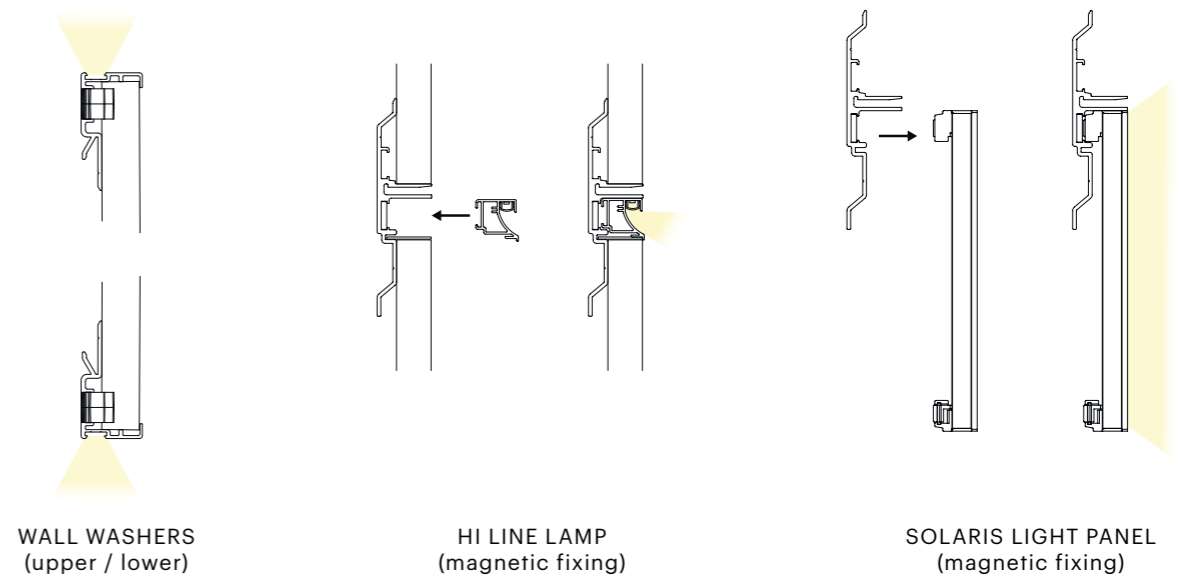




Installation example



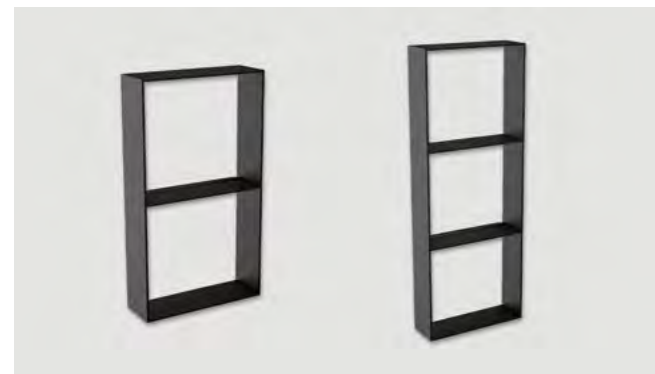
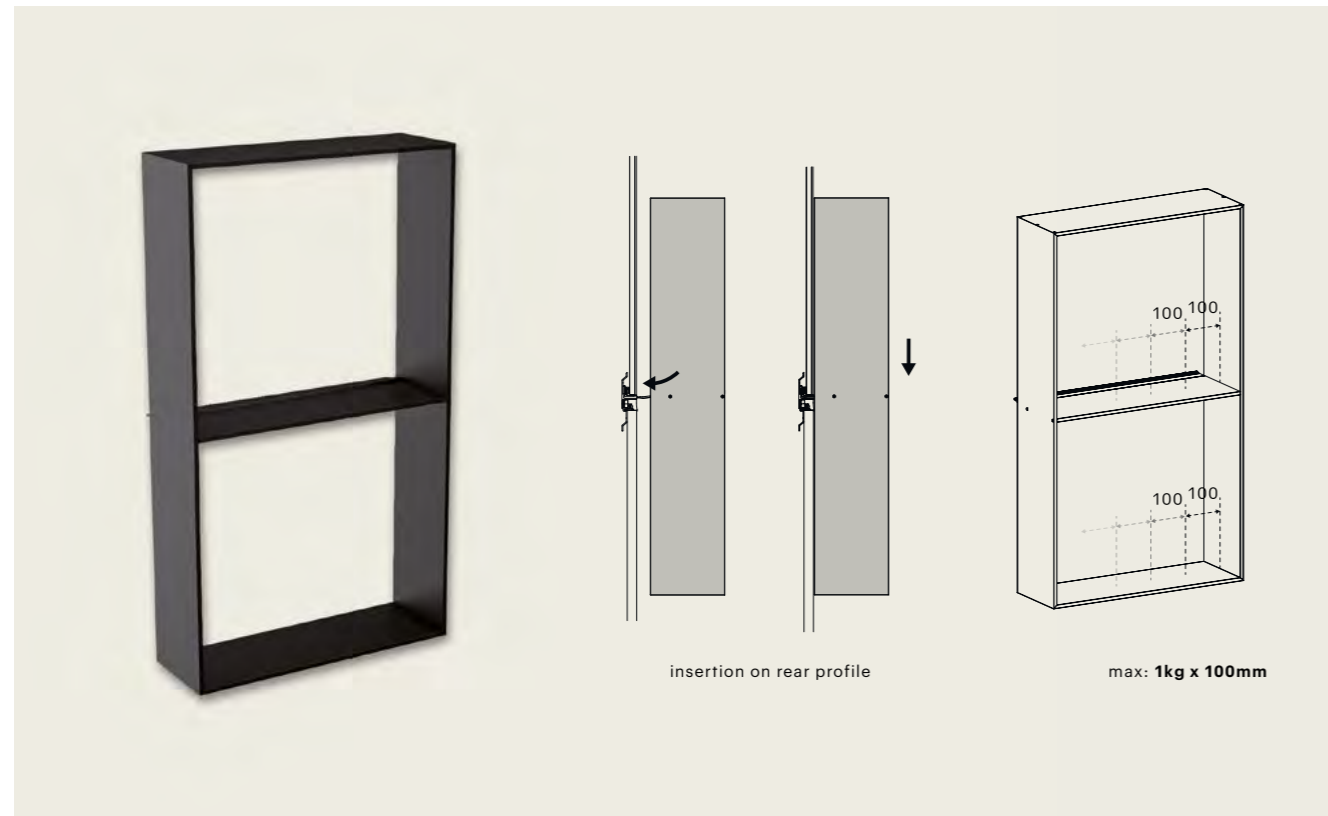
Lighting solutions





Hi Line - Modules

dimensions in mm

**MODULI VERTICALI**

Vertical open modules made of black scratch-resistant brushed aluminium, which can be inserted on rear profile. Available, upon request, provided with single glass doors

03	92900050300	2 x compartments	450 x 150 x h 800mm
	92900060300	3 x compartments	450 x 150 x h 1200mm

MODULO ORIZZONTALE

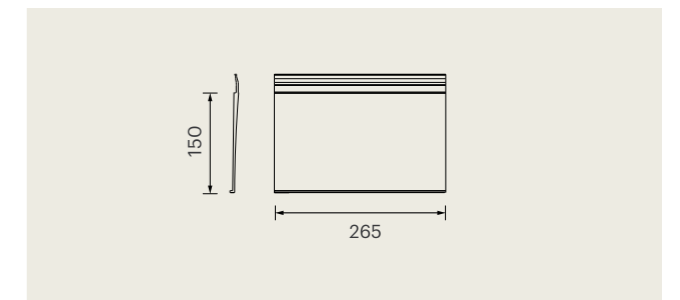
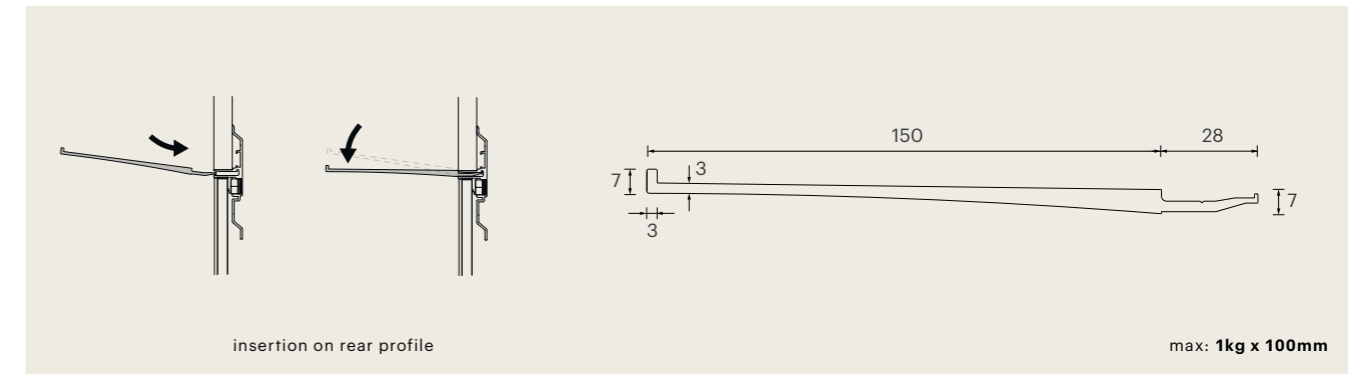
Horizontal open modules made of black scratch-resistant brushed aluminium, which can be inserted on rear profile.

03	92900240300	2 x compartments	900 x 150 x h 450mm
----	-------------	------------------	---------------------

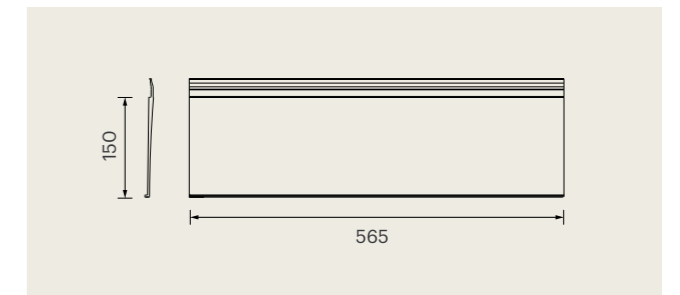


Hi Line - Aluminium shelves

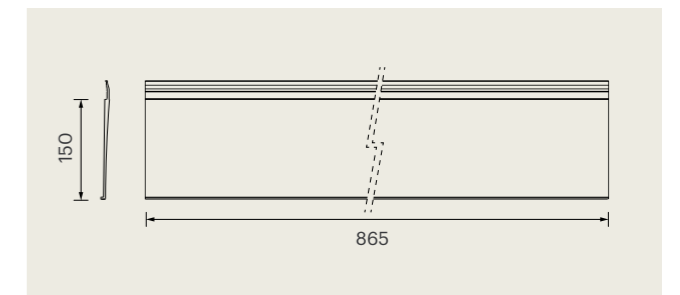
dimensions in mm

**FLAT SHELF 265mm**

03 92900230300 Front edge: 7mm 265 x 150mm

**FLAT SHELF 565mm**

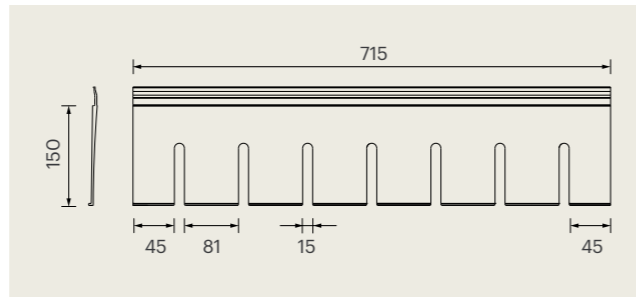
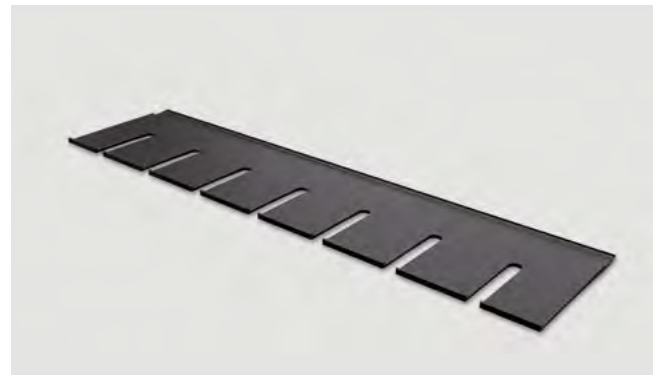
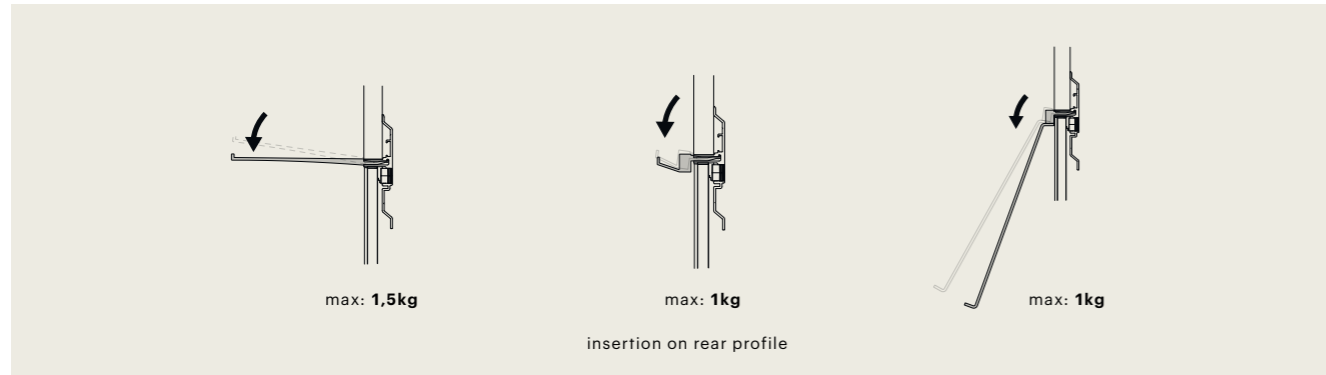
03 92900100300 Front edge: 7mm 565 x 150mm

**FLAT SHELF 865mm**

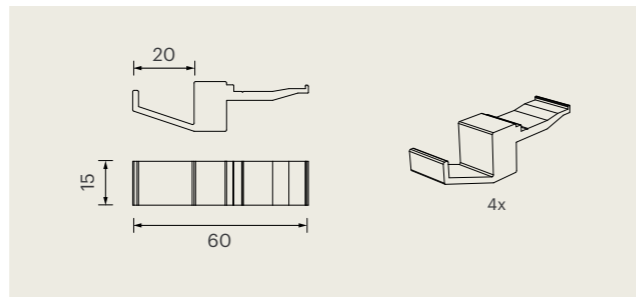
03 92900120300 Front edge: 7mm 865 x 150mm

Hi Line - Aluminium accessories

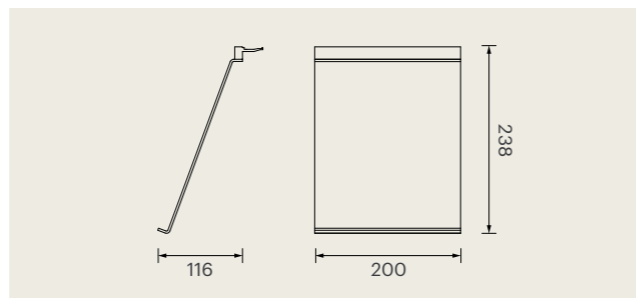
dimensions in mm



WINE GLASS HOLDER 715mm
 03 92900150300 Front edge: 7mm 715 x 150mm



SET 4 HOOKS
 03 92900170300 4x HOOKS



IPAD SHELF
 03 92900200300 330 x 118 x 20mm



Minitrack

Electrified track for mass market retail



The Minitrack system allows for complete flexibility in the position of your lighting applications. Components can be easily moved as your needs change. The Minitrack is available with a variety of 12 V & 24 V drivers and in 1,8 m lengths.

The power connector allows an easy coupling to the driver, not affecting the overall aesthetical appearance.

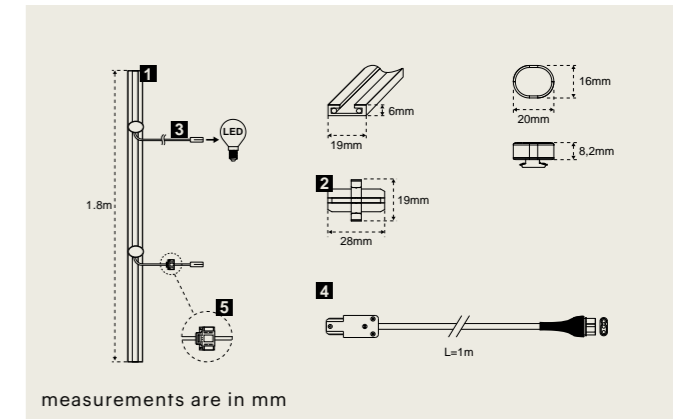
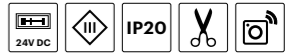
IDEAL FOR

- perfumery
- pharmacy
- food
- mass market retail

FEATURES

- discreet
- easy installation
- ideal for existing facilities

Minitrack



COMPONENTS

01	Track	max 200 W	1800 mm	1	24 V DC
03	Track Bridge			2	max 16 A
	Connection Cord		100 mm	3	max 3 A 24 V DC
			600 mm	3	max 3 A 24 V DC
			1000 mm	3	max 3 A 24 V DC
	Track Connector		1000 mm	4	24 V DC
	Magnetic clip			5	

CONTROL AND SUPPLY

CONTROL
Product compatible with L&S remote controls of the Smart line.



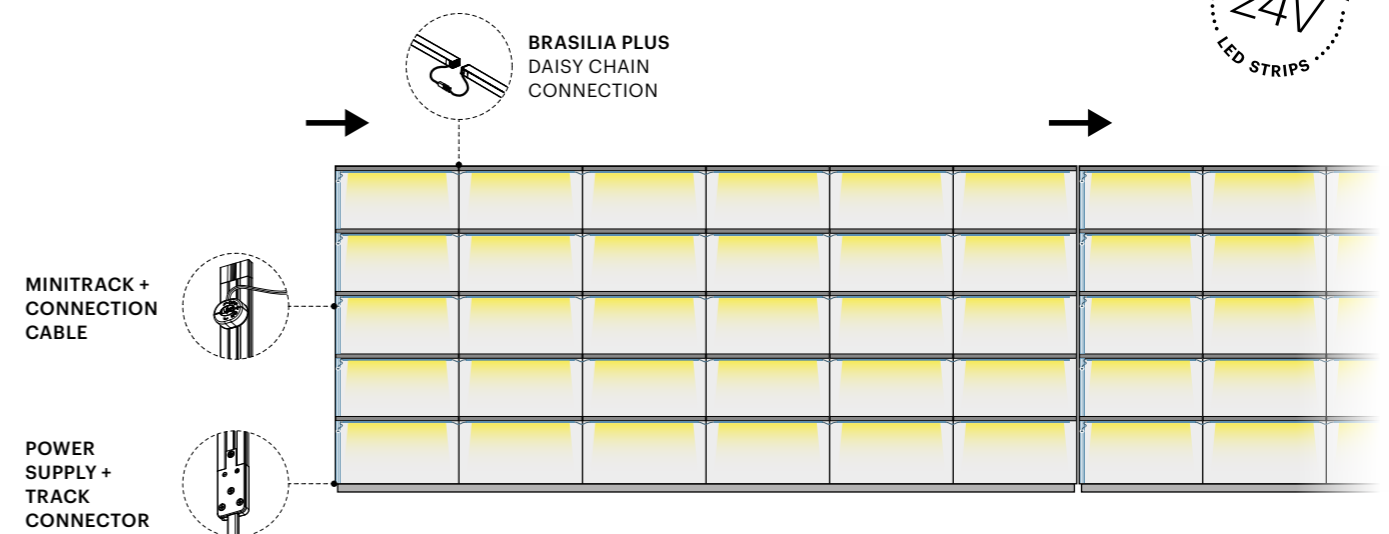
SUPPLY
Mec Driver, complete platform of power supplies and receiving modules for light control.



Ideal with Brasilia Plus System linear light

Setup example

High Efficiency light source.
Energy and cost saving



Brasilia Plus is a special product.
For more information contact our sales team.

