

Sign

MODULAR SYSTEM

THE PERFECT
SYNTHESIS OF
LIGHT AND DESIGN



PRODUCT DESIGN BY MICHELE MARCON

Sign: the perfect synthesis of functional light that furnishes.

STYLE AND FLEXIBILITY.
A FUNCTIONAL AND
CONSISTENT SOLUTION IN ALL
INDOOR ENVIRONMENTS:
KITCHEN, LIVING AREA,
SLEEPING AREA, BATHROOM,
OFFICE, SHOPS.

Sign traces a horizontal line of light that divides up the room, following the architecture of the spaces and creating a continuous effect of light and decoration in various domestic environments.



The structural element, a matt black anodised aluminium profile, can be complemented with a range of accessories and hanging cabinets to help furnish the home and beyond.





Sign integrates a pair of linear lamps for a homogeneous dual-emission effect that lends an immersive atmosphere to the home environment. The upper profile has a wallwasher courtesy light effect, whilst the lower profile ensures proper lighting with a functional output, preventing the need to install additional light sources to illuminate the worktop.



The wall profile can accommodate cables of various sizes, acting as a cable duct and helping to organise the elements in an orderly manner.

The 90° internal and external angles enable architectural volumes to be followed, creating a continuous effect of light and decoration in the different rooms of the home.

The IP44 degree of protection enables it to be installed in environments subject to humidity, splashing water and frequent cleaning, such as bathrooms and kitchens.

Switching and dimming of the light is available on request with the integration of the IR sensor or via remote controls.





Bracket

The aluminium fixing bracket is fixed to the wall using screws and dowels.

Cover

The cover profile, made of black painted aluminium, is snapped onto the bracket. The internal compartment acts as a cable duct, helping to organise cables and electrification elements for Sign and other accessories.



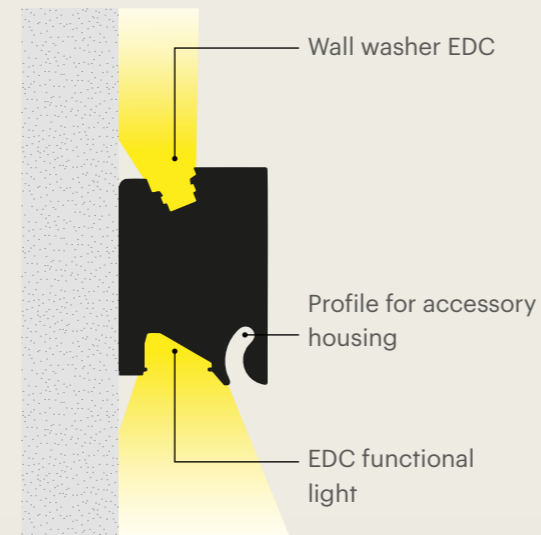
Protection

The IP44 protection rating means that Sign can also be used in environments that are subject to moisture or require frequent cleaning.



Corners

On request, the profiles can be cut at 45° to allow Sign continuity on corner walls.



SIMULATION OF SIDE VIEW
WITHOUT HEADERS

Dedicated optics

The light sources are equipped with specially designed optics to create an upward wall washer effect and to illuminate the work surface evenly and comfortably.



MySign. Your Sign

With our unique customization feature, the MySign bar will seamlessly blend into its surroundings, allowing the viewer's attention to be solely captivated to the light itself.

Simply slide the wooden strip inside the slot of the MySign bar, matching the color and the wood grain finish of the furniture or the background.

All Sign accessories are compatible also with MySign.





Tailor-made: 200 mm ~ 3000 mm

Sign

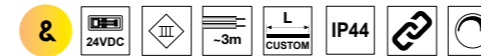
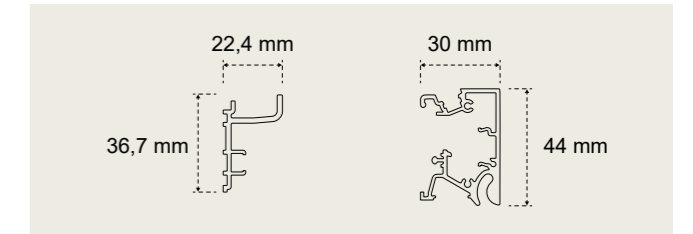
Modular elements

The wide range of accessories offered, the modular open modules, the shelves and the storage units, make Sign suitable for any domestic environment, from the kitchen to the bathroom, from the living area to the home office and the sleeping area.

CE UK CA Designed by: Michele Marcon Designer



On request, the profile is available cut to size and with corner joints.
For use as a decorative and courtesy light we recommend the top and bottom combination 120 + 120 LEDs/m, for functional use, e.g., in kitchens, offices or on worktops, we recommend the top combination 120 + 120 LEDs/m and the bottom combination 240 + 240 LEDs/m.



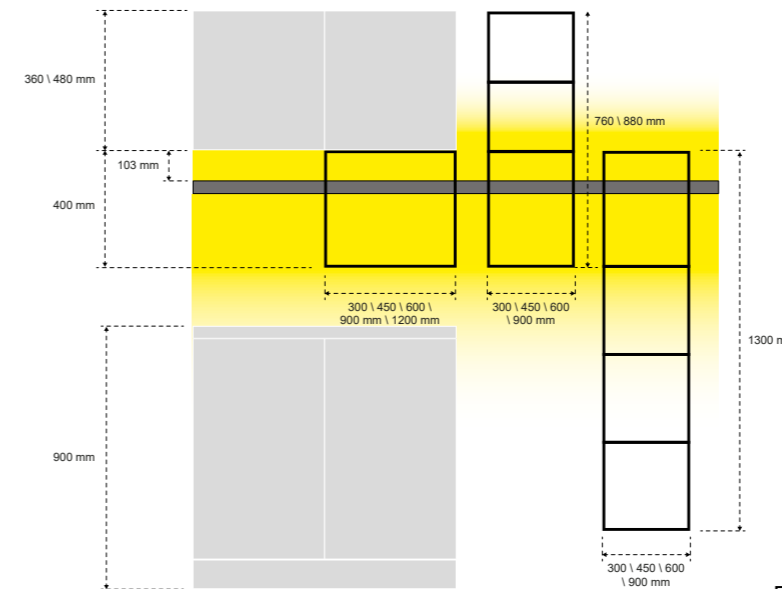
SIGN EDC 24 V DC		120+240 LEDs/m		
03	91700350300AEBF	36,7 W	1200 mm	3000-4000K
03	91700320300AEBF	46,2 W	1500 mm	3000-4000K
03	91700360300AEBF	55,6 W	1800 mm	3000-4000K
03	91700370300AEBF	74,5 W	2400 mm	3000-4000K
03	91700380300AEBF	93,6 W	3000 mm	3000-4000K
03	91700390300AEBF	121,7 W	3900 mm	3000-4000K

ACCESSORIES, CONTROL AND SUPPLY

EMOTION JUMPER
The included cable allows for colour temperature variation from 'warm' to 'natural' white (3000K-4000K).

CONTROL
Product compatible with L&S remote controls of the Smart line.

SUPPLY
Mec Driver, complete platform of power supplies and receiving modules for light control.



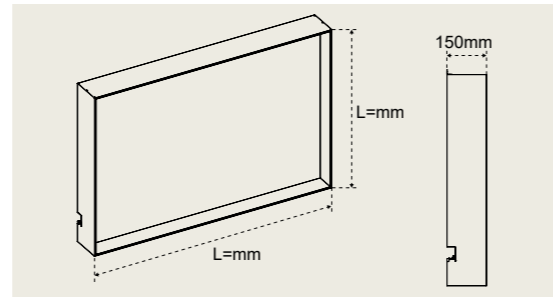
Example of application in the kitchen

Mirrorlight



Bathroom mirror complete with touch controls for switching ON and OFF, changing color temperature and anti-fog function.

The light source is the new high efficiency Emotion Dual Color 3000K-4000K LED strip. Sign Me is sold with dimensions 1200 x 800 mm. Other dimensions available on request.



MIRRORLIGHT

	91701430300DMD	1200 x 800 x 150 mm
--	-----------------------	---------------------



Glass door modules



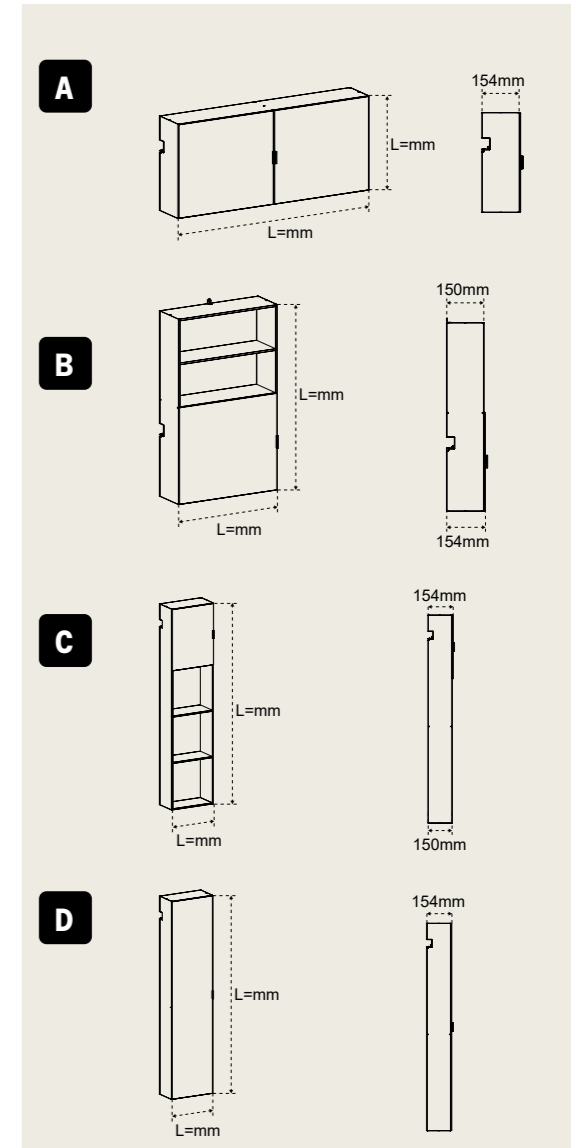
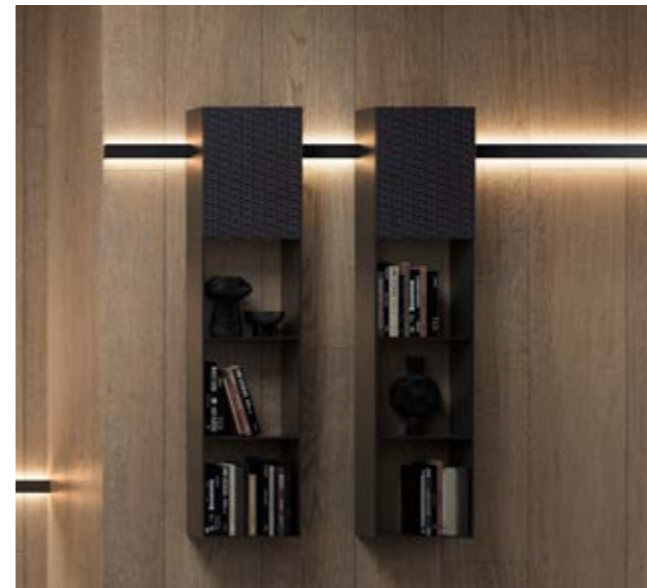
Open modules made of black scratch-resistant brushed aluminium, which can be clicked onto the Sign profile and provided with glass doors.

Doors with different materials on request.



GLASS DOOR MODULES

	91701240300	A	900 x 400 x 150 mm
	91701250300	B	450 x 760 x 150 mm
	91701260300	C	300 x 1300 x 150 mm
	91701270300	D	300 x 1300 x 150 mm






Horizontal modules



Open modules made of black scratch-resistant brushed aluminium, which can be clicked onto the Sign profile.




HORIZONTAL MODULES 1 COMPARTMENT

 91700640300	300 x 400 x 150 mm
 91700650300	450 x 400 x 150 mm
 91700660300	600 x 400 x 150 mm




HORIZONTAL MODULES 2 COMPARTMENTS

 91700670300	900 x 400 x 150 mm
---	--------------------



HORIZONTAL MODULES 3 COMPARTMENTS

 91700680300	1200 x 400 x 150 mm
---	---------------------





Vertical modules



Open modules made of black scratch-resistant brushed aluminium, which can be clicked onto the Sign profile.







UPPER VERTICAL MODULES 3 COMPARTMENTS

 91700690300	300 x 760 x 150 mm
 91700700300	450 x 760 x 150 mm
 91700710300	600 x 760 x 150 mm
 91700720300	900 x 760 x 150 mm







UPPER VERTICAL MODULES 3 COMPARTMENTS

 91700730300	300 x 880 x 150 mm
 91700740300	450 x 880 x 150 mm
 91700750300	600 x 880 x 150 mm
 91700760300	900 x 880 x 150 mm



LOWER VERTICAL MODULES 4 COMPARTMENTS

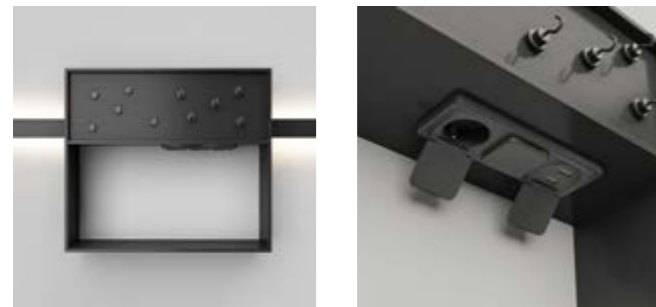
 91700770300	300 x 1300 x 150 mm
 91700780300	450 x 1300 x 150 mm
 91700790300	600 x 1300 x 150 mm
 91700800300	900 x 1300 x 150 mm

MultiSign



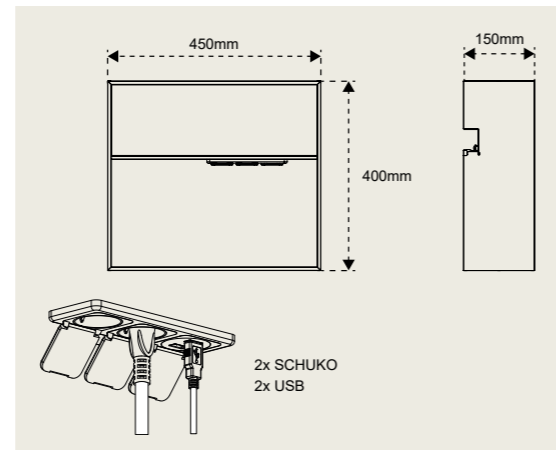
Multifunction module complete with Schuko sockets, USB sockets for charging devices and magnetic surface.

Other configurations available on demand.



MULTISIGN 2 SOCKET + 1 USB

91701390300 450 x 400 x 150 mm

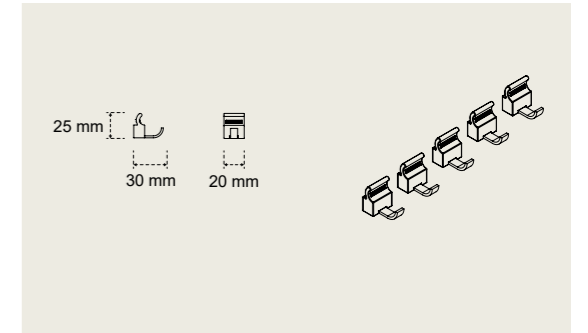


Accessories



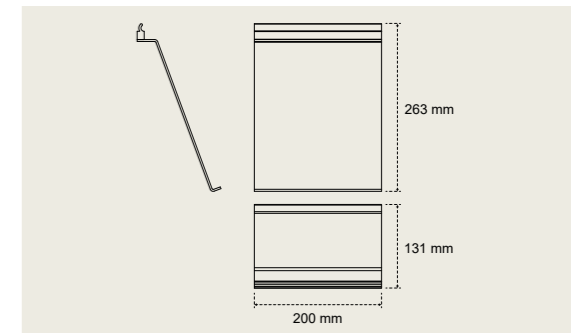
SET OF 5 HOOKS

91700190301



TABLET HOLDER

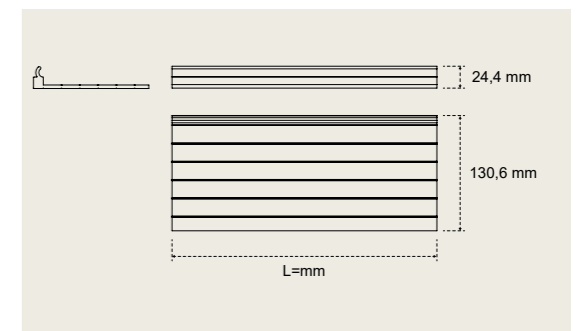
91700260300



SIGN SHELVES

91700830300	284 mm
91700840300	388 mm
91700850300	434 mm
91700860300	584 mm
91700870300	884 mm


The shelves can be integrated into the open modules.




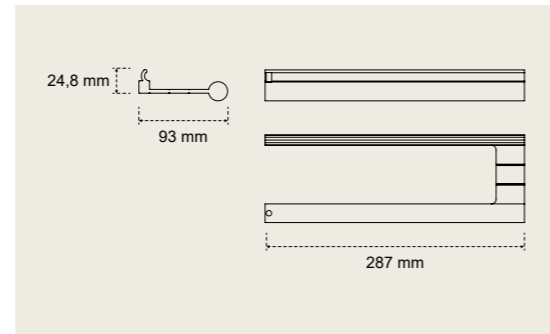
Kitchen accessories




ROLL HOLDER

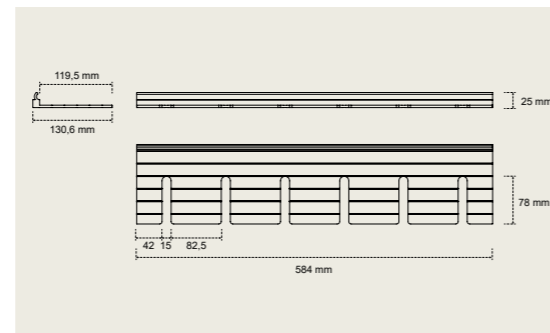
 91700210300

 91700900300 Available, on request 337 mm




GLASS HOLDER

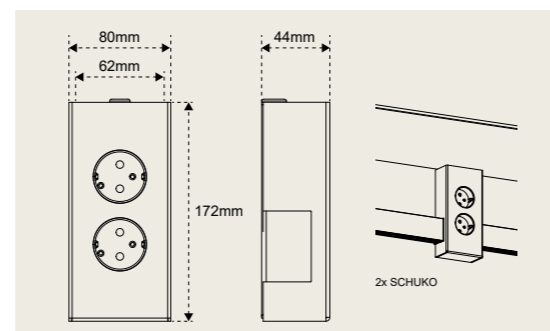
 91700880300



MULTI SOCKET 220-240 V AC

 91700820300


172 mm

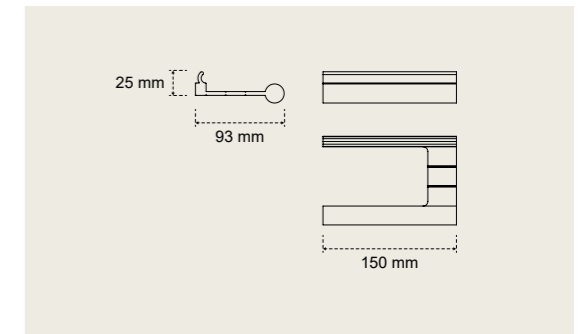


Bathroom accessories




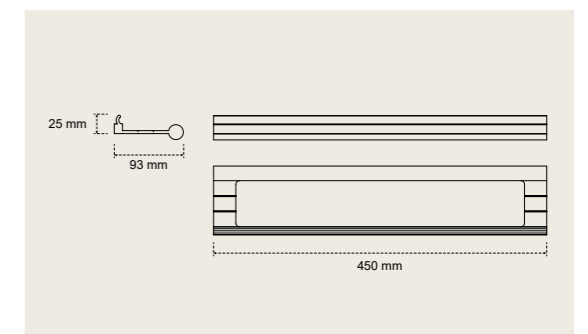
TOILET PAPER ROLL HOLDER

 91700220300




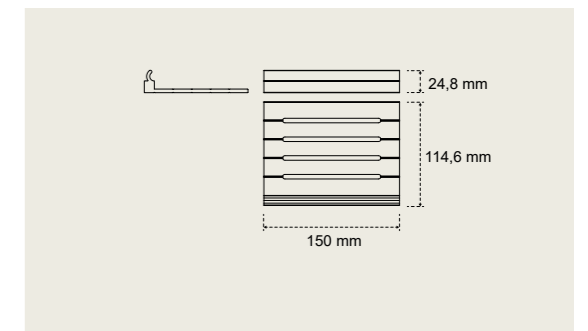
TOWEL HOLDER

 91700200300




SOAP DISH

 91700250300



CUP HOLDER FOR TOOTHBRUSHES

 91700230300

