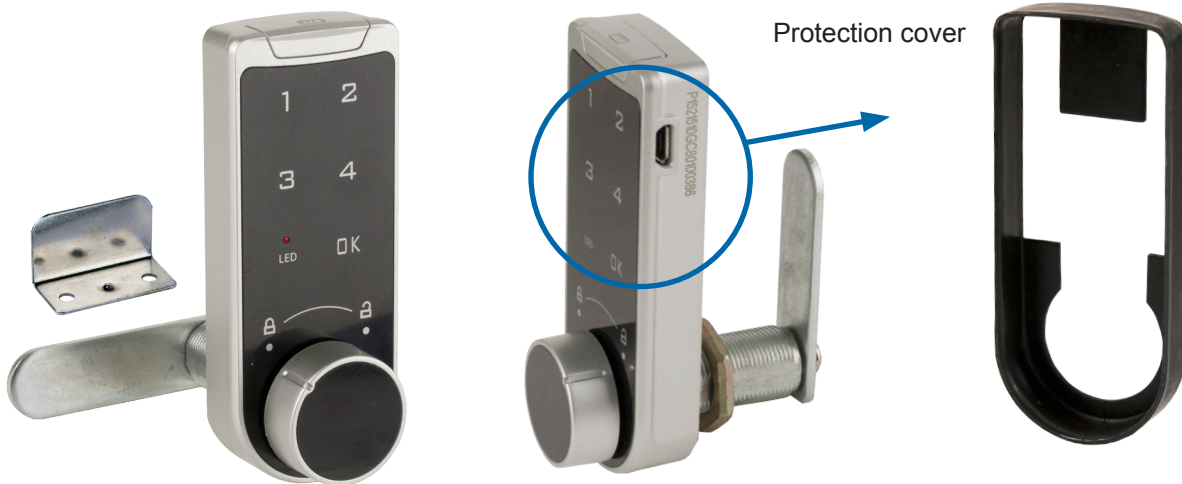
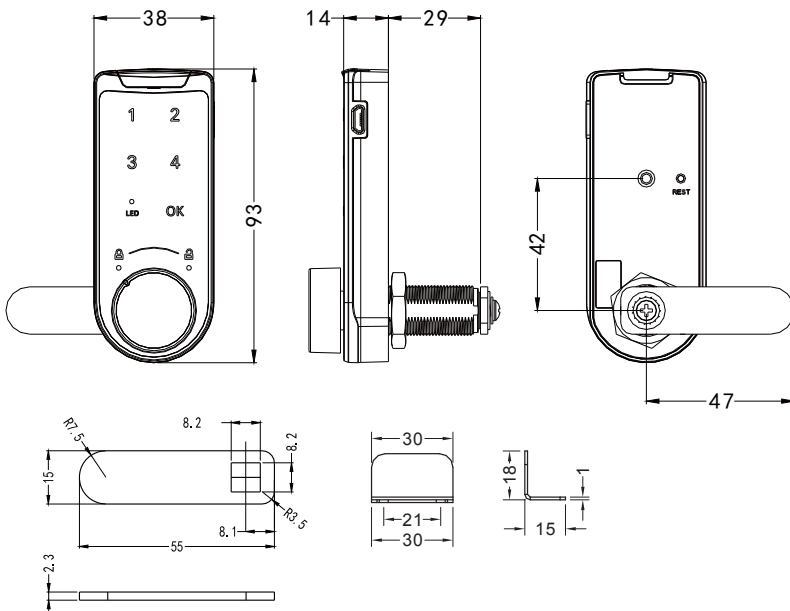


# ELEC. COMBINATION CAM LOCK "MARC"



## ELEC. COMBINATION CAM LOCK "MARC"



### Application:

Suitable for metal or wood lockers, wardrobes, drawers or cabinets

### Accessories for 1 lock:

- 1 ABS housing w/turning knob - 93 x 38 x 14 mm
- 1 zamak cylinder  $\varnothing$  16 x 29 mm
- 1 steel cam plate c.e: 47 mm
- 1 L-shaped metal striker
- 1 fixing hex nut

### Specifications:

- 90 degree turn
- Master code function
- Micro USB for external power supply
- Vertical or horizontal installation
- Touch keypad – 6-figure code needed
- Power by button-cell battery CR 2032 (NOT included)

### Available as public or private version

- Working temperature: - 5 dg + 50 dg Celsius
- Working humidity: 20 – 80 %

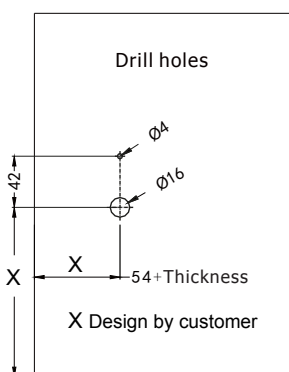
### Item No.:

- Public – Silver/Black # 14.60.390
- Private – Silver/Black # 14.60.391

Extra protection cover if needed  
Cover for hiding USB access and battery.  
Ideal when lock is used in public places.

Steel - Black anodized: # 14.60.395

Detailed user-guide on [www.siso.dk](http://www.siso.dk)



### SISO A/S