

Magnetic Push



Magnetic Push - Release device to be recessed and retaining catches

DPMSNB - beige



DPMSNG - grey



Release device.
ø 10 mm, 40 mm length.

Packing

Boxes 250 pcs.
Cartons 1.500 pcs.

DPASNB - beige



DPASNG - grey

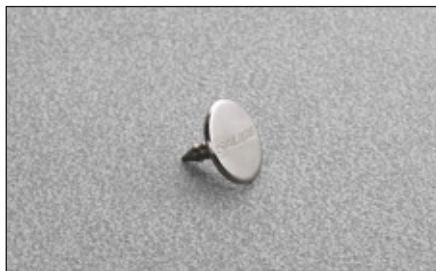


Release device to be used to increase the magnetic holding strength. It must always be used together with the DPM. The suggested position of the DPA is the point of pressure on the door. The DPA can be positioned at any point along the opening edge of the door. ø 10 mm, 40 mm length.

Packing

Boxes 250 pcs.
Cartons 1.500 pcs.

DP28SN9



Retaining catch to be inserted.
ø 11.5 mm.

Packing

Boxes 250 pcs.

DP38XX91

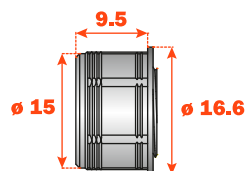


Retaining catch with adhesive.
20x14 mm.

Packing

Boxes 250 pcs.

DP39XXG

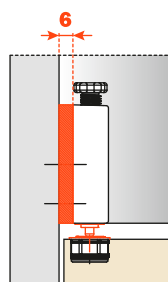


Adjustable magnetic retaining.
ø16.6 mm

Packing

Boxes 250 pcs.

SP44XX

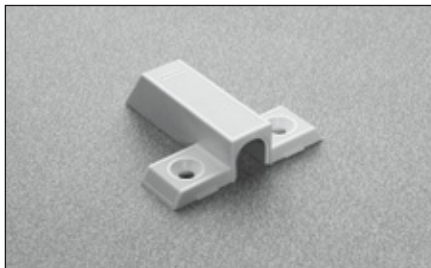


Spacer for inset door to be used together with DP82XX_R.

SP44XXG = grey
SP44XXB = beige

Packing

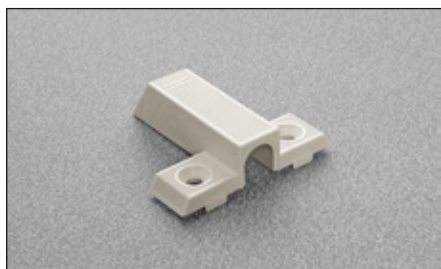
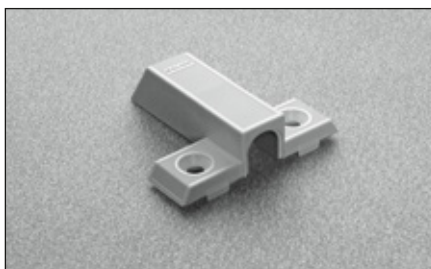
Boxes 250 pcs.

DP80SNBR - beige**DP80SNGR** - grey

Plastic adapter for release device.
To be fixed with wood screws.
7.5x32 mm drilling.
Without assembly stop devices.
DP81SN_R = To be fixed with Euro screws.

Packing

Boxes 500 pcs.
Pallets 12.000 pcs.

DP80SNB - beige**DP80SNG** - grey

Plastic adapter for release device.
To be fixed with wood screws.
7.5x32 mm drilling.
With assembly stop devices.
DP81SN_ = To be fixed with Euro screws.

Packing

Boxes 500 pcs.
Pallets 12.000 pcs.

DP82XXBR - beige**DP82XXGR** - grey

Adjustable longitudinal plastic adapter for release device.
To be fixed with wood screws.
8+16 mm drilling.
Without assembly stop devices.

Caps to be ordered separately.

Packing

Boxes 500 pcs.
Pallets 12.000 pcs.

DP83XXBR - beige**DP83XXGR** - grey

Adjustable double plastic adapter for release device.
To be fixed with wood screws.
8+32 mm drilling.
Without assembly stop devices.

Cover caps to be ordered separately.

Packing

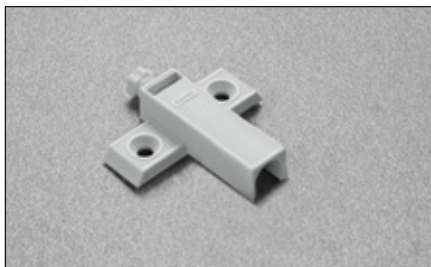
Boxes 500 pcs.
Pallets 12.000 pcs.

DP84SNBR - beige**DP84SNGR** - grey

Adjustable plastic adapter for release device.
To be fixed with wood screws.
8x32 mm drilling.
Without assembly stop devices.

Packing

Boxes 500 pcs.
Pallets 12.000 pcs.

DP85SNBR - beige**DP85SNGR** - grey

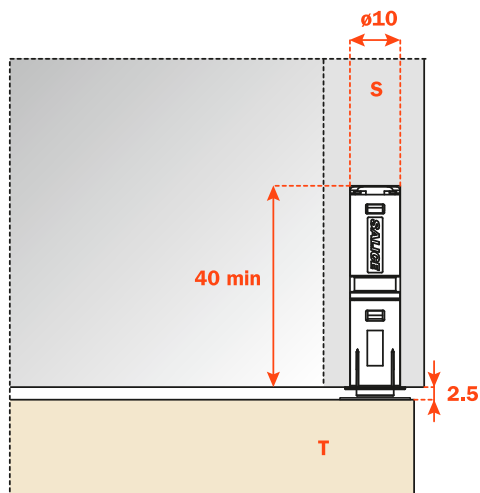
Adjustable plastic adapter for release device.
To be fixed with wood screws.
37x32 mm drilling.
Without assembly stop devices.

Packing

Boxes 500 pcs.
Pallets 12.000 pcs.

Application of the release device to be recessed

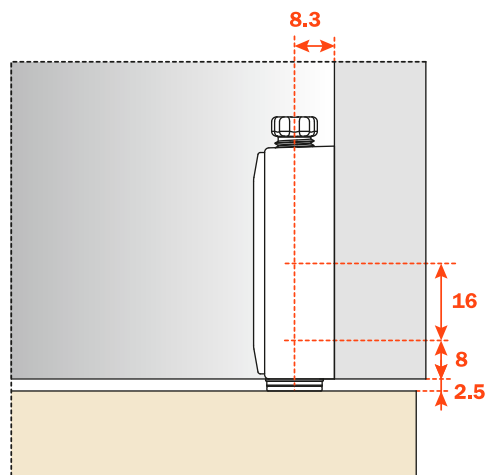
Drill a hole \varnothing 10 mm and min. 40 mm depth in the top, the side or the base panel of the cabinet.
Insert the release device into the hole.



Release device application with adapter (DP82SN_R).

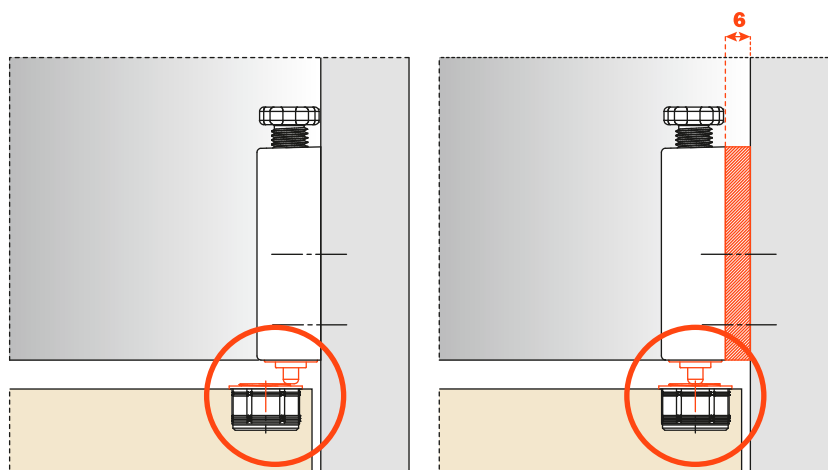
Insert the release device frontally into the adapter.
Place the adapter to the top, the side or the base panel of the cabinet, using the drilling value of 8+16 mm for final positioning.

For inset door it is essential to use the spacer SP44XX_.



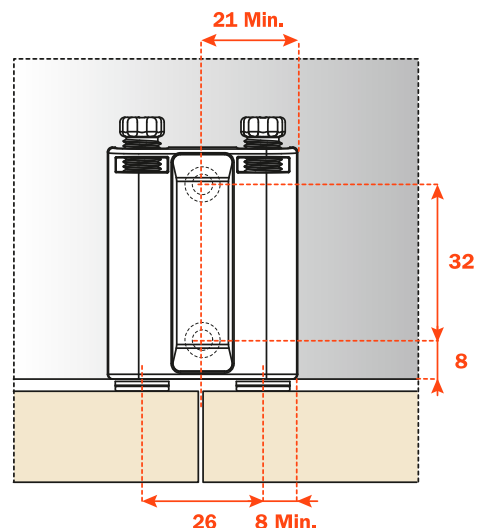
Release device application with spacer for inset door (DP82SN_R + SP44XX_).

For inset door it is essential to use the spacer SP44XX_.



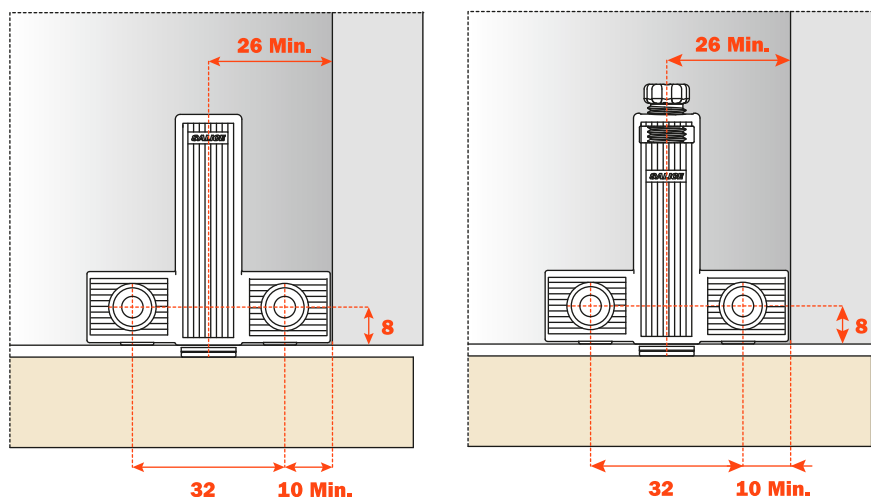
Release device application with adapter (DP83XX_R).

Insert the release device frontally into the adapter.
Place the adapter to the top, the side or the base panel of the cabinet, using the drilling value of 8+32 mm for final positioning.



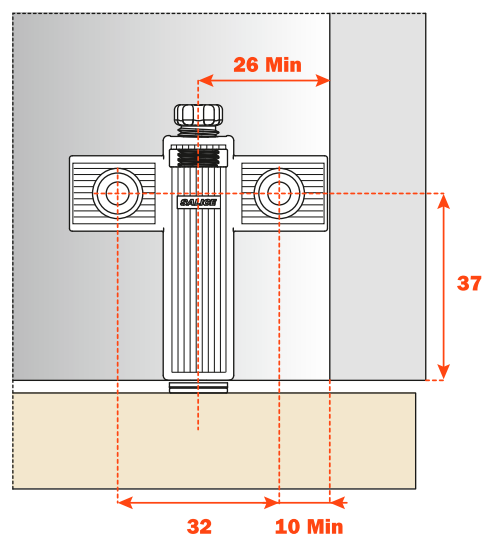
Release device application with adapter (DP80SN_ and DP84SN_R).

Insert the release device into the adapter.
Place the adapter to the top, the side or base panel of the cabinet, using the drilling value of 8x32 mm for final positioning.



Release device application with adapter (DP85SN_R).

Insert the release device into the adapter.
Place the adapter to the top, the side or base panel of the cabinet, using the drilling value of 37x32 mm for final positioning.



1 - Retaining catch with adhesive strip

Apply the retaining catch to the magnetic release device.

Remove the protective strip from the adhesive.

Close the door.

In this way the retaining catch is positioned on the door.

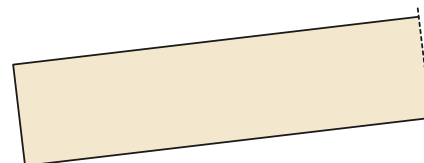
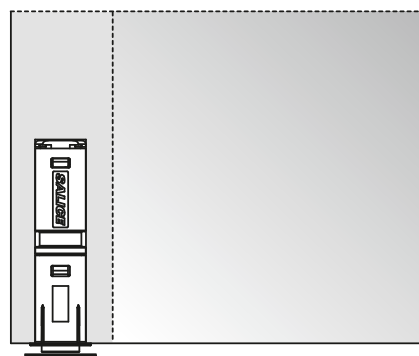
Reopen the door and apply a firm pressure to the retaining catch to ensure a correct installation.

ATTENTION:

For a correct application and to ensure optimal endurance, we suggest these guidelines are followed:

- 1** - clean and degrease the door surface where the retaining catch is to be installed;
- 2** - remove the protective strip from the adhesive;
- 3** - place the retaining catch in position, in a place that is at room temperature $\geq 10^{\circ}$ and apply a firm pressure for 10-15 seconds.

After few seconds from the installation the retaining catch is suitable for the use. After 24h the max. hold is attained.



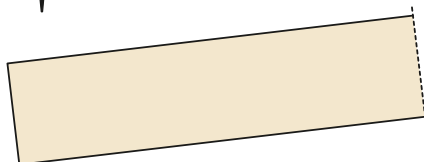
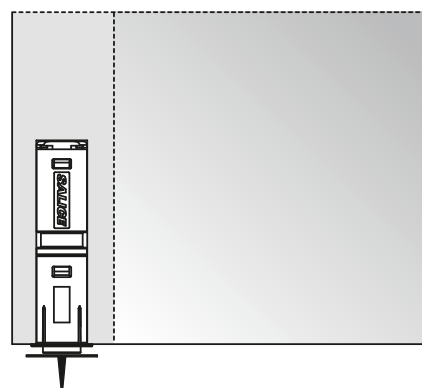
2 - Retaining catch to be inserted

Apply the retaining catch to the magnetic release device.

Close the door.

The point of the retaining catch will show where to insert it.

Reopen the door and press the retaining catch.

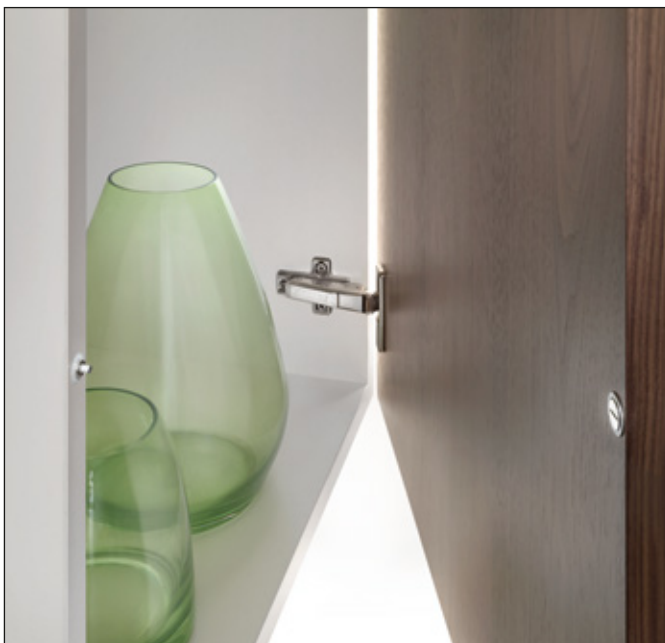
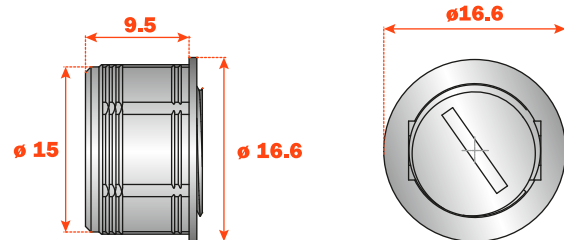
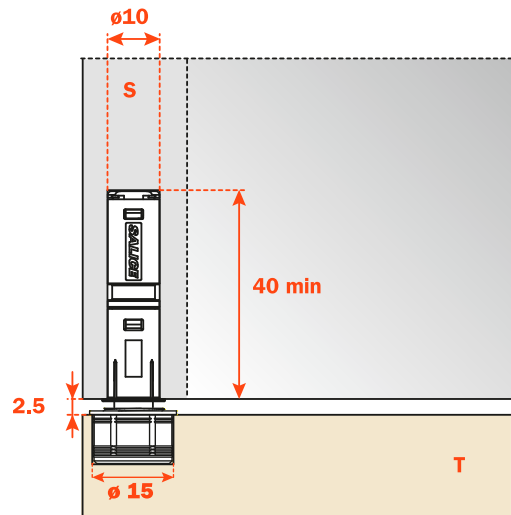


3 - Magnetic retaining catch to be inserted

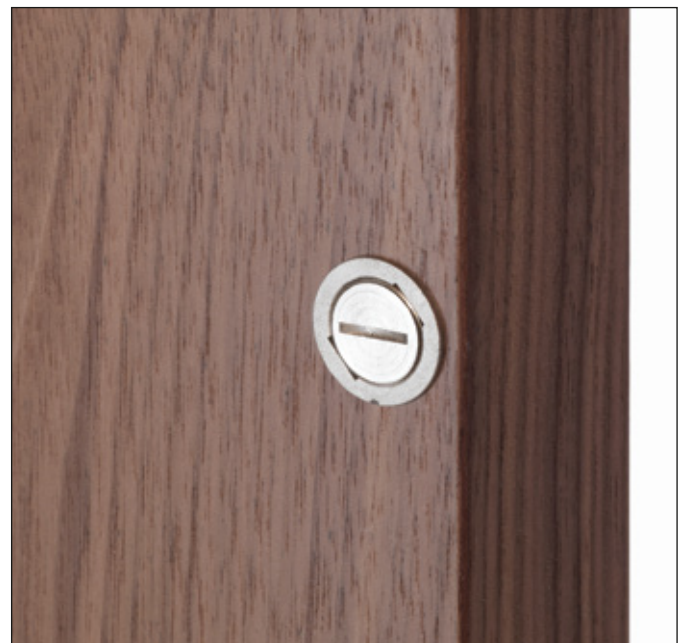
The retaining catch DP39 is itself magnetic and together with the magnetism of the release device DPM considerably increase (30%) the holding strength of the door against the cabinet side, thus avoiding accidental openings.

For the installation it is necessary to drill a hole $\varnothing 15$ mm and 11 mm depth in the door.

Depth adjustment from -0.5 mm to +2.5 mm.



Adjustment -0.5 mm



Adjustment +2.5 mm



