

## Product information sheet ANDANO 400/400-U

Item no. 522987

### Benefits

---



- Unique composition of optical and functional elements
- The harmonious interplay between the radii and surface design creates a modern appeal
- High quality features consisting of a covered C-overflow and InFino drain system – gracefully integrated and easy-care
- Large bowl capacity and fully utilisable base
- Optional premium accessories are available

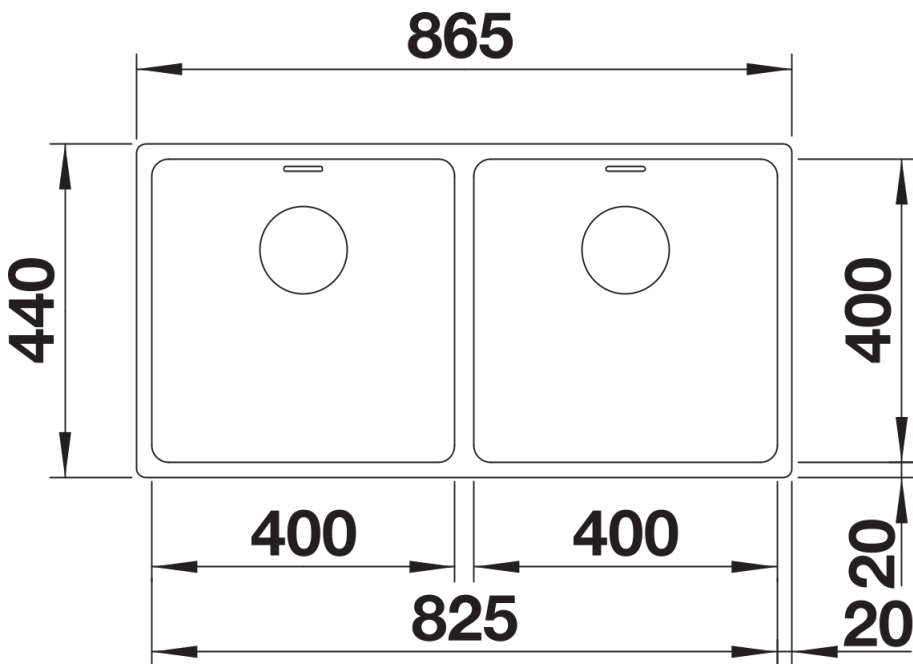
## Scope of supply

---

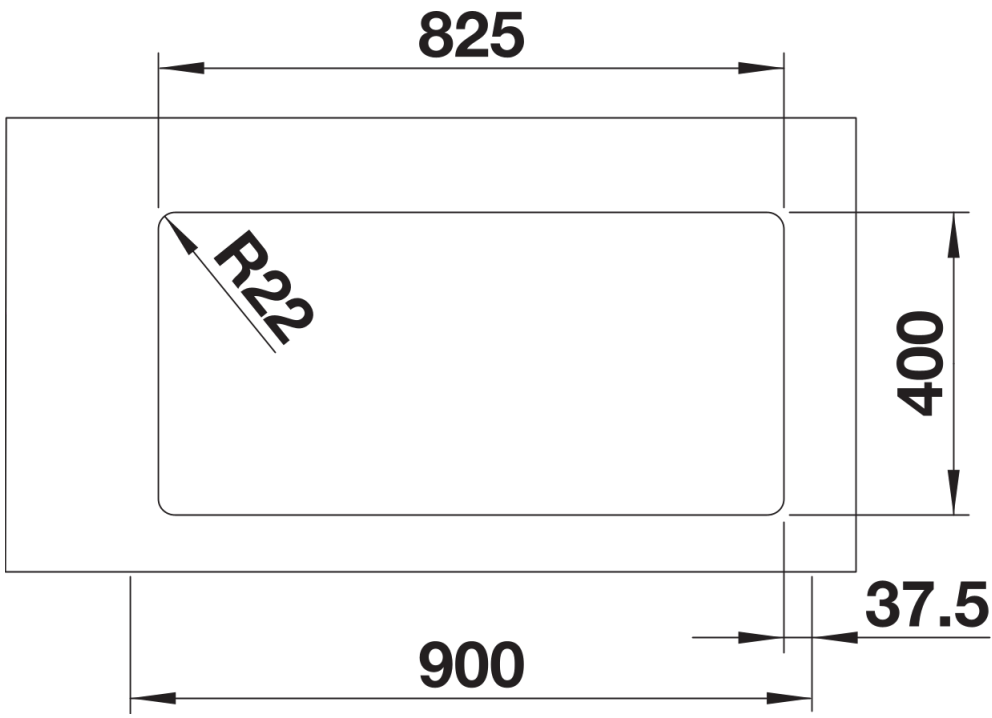
- waste kit with space-saving pipe
- 2 x 3 ½" InFino basket strainer
- fixing kit

## Details

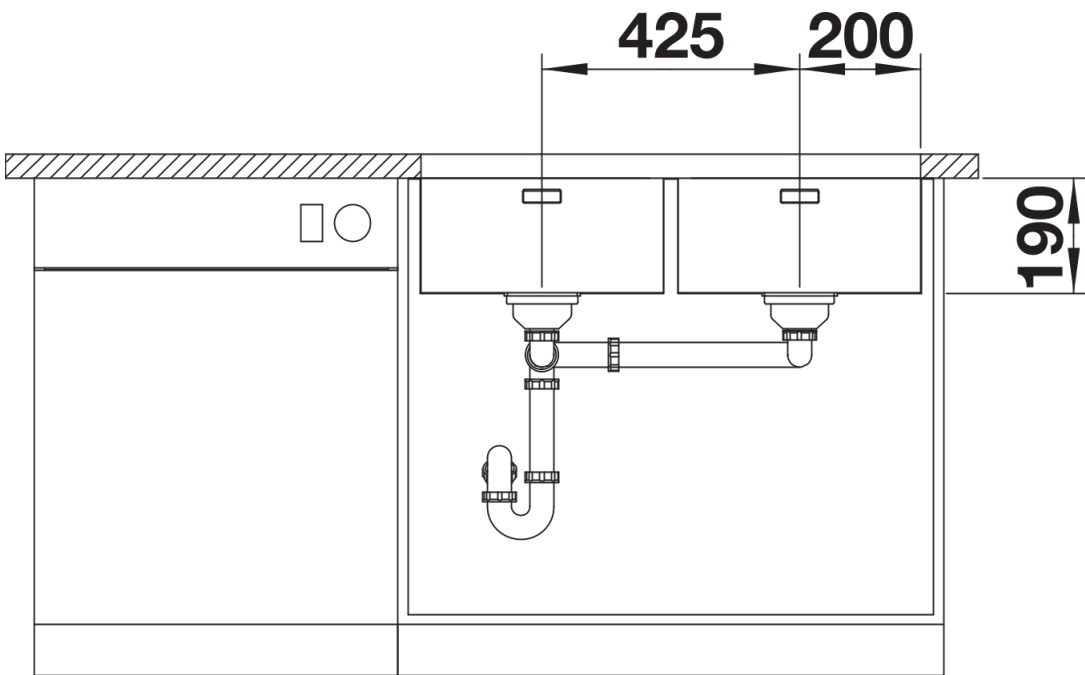
---



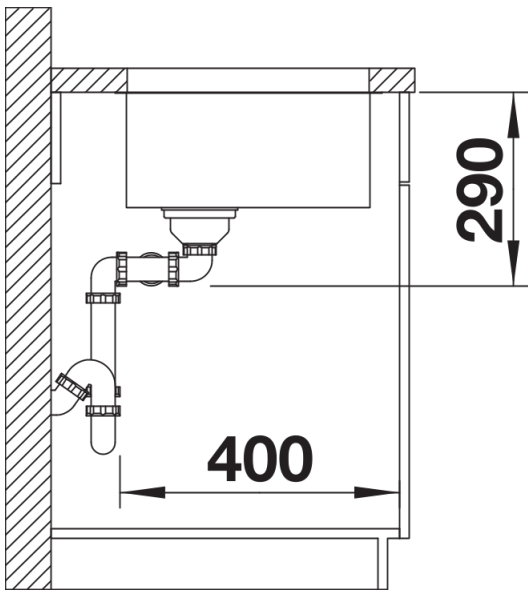
Top view



Cut-out



Front view



Side view