

## Product information sheet SUBLINE 800-U

Item no. 526005

### Benefits

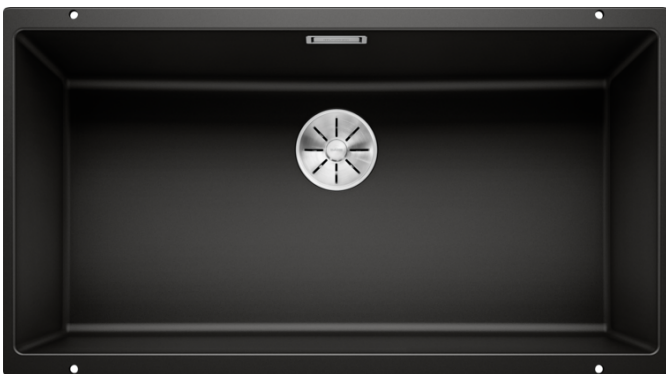
---



- Undermount bowl for discerning demands on design
- Timelessly elegant, contoured bowl design
- Entire system for a wide variety of plans featuring large and small bowls
- High-quality features with covered C-overflow and InFino drain system – elegantly integrated and easy-care
- Optional versatile accessories are available

### Colours

---



SILGRANIT black

#### Available colours:

black  
anthracite  
rock grey  
volcano grey  
white  
soft white  
tartufo  
coffee

## Planning information

---

- Cut-out radius: 10 mm
- Please order waste connections for combinations of two individual bowls separately.

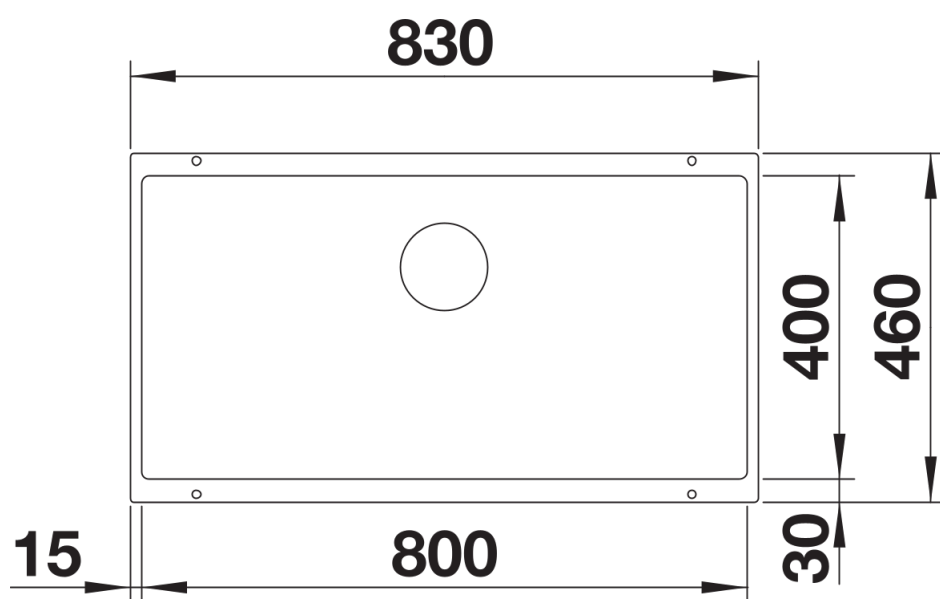
## Scope of supply

---

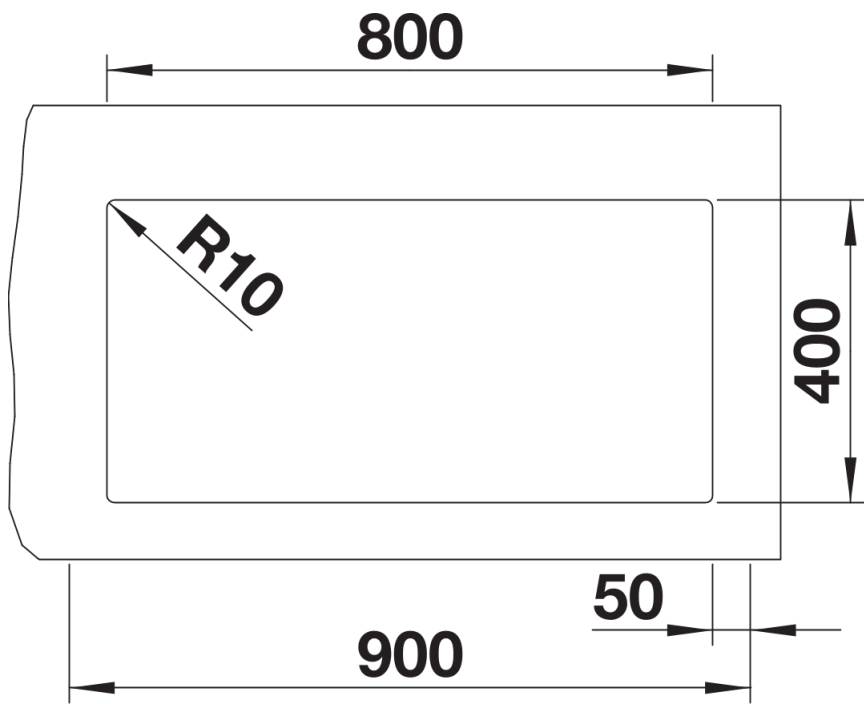
- waste kit with space-saving pipe
- 3 ½" InFino basket strainer
- fixing kit

## Details

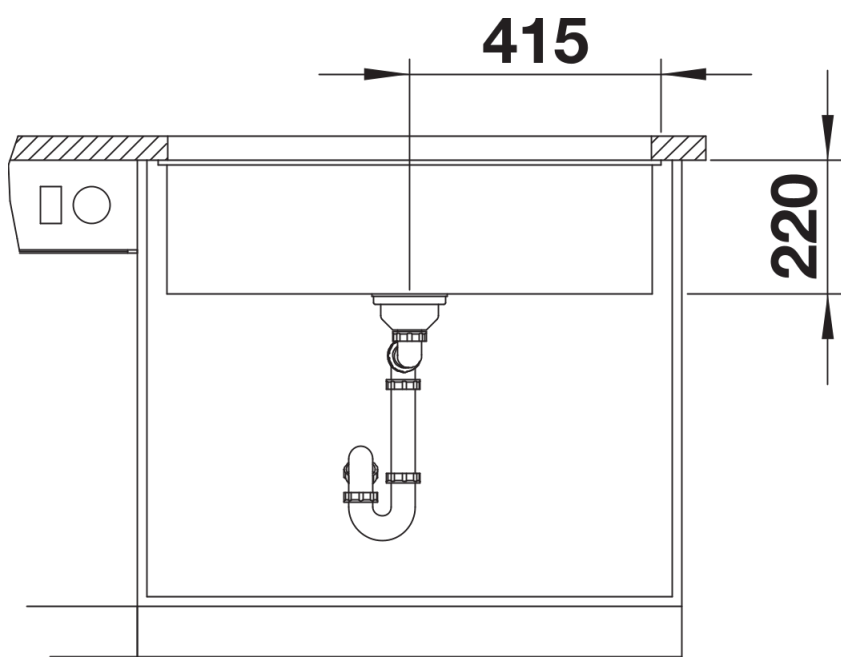
---



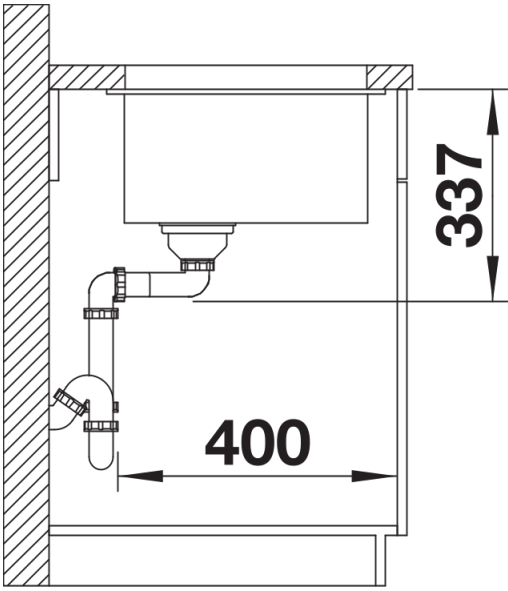
Top view



Cut-out



Front view



Side view