

Thin Line

PATENTED

Modular electrification system
with integrated lighting
for vertical panelling



L&S

Thin Line

PATENTED

Modular electrification system
with integrated lighting
for vertical panelling

L&S

Thin Line



Modular electrified system to decorate a space. Variety of configurations with refined aesthetics. Ideal for retail and home environments.

The core of the Thin Line system is an innovative electrified concept (patented) to move and mount illuminated shelving units with ease, in a practical and safe way without visible connections or cables.

The system is very versatile and can be integrated in commercial, office and residential environments, enhancing living areas and wardrobes. The minimal space between panels produce a clean and continuous surface.

IDEAL FOR

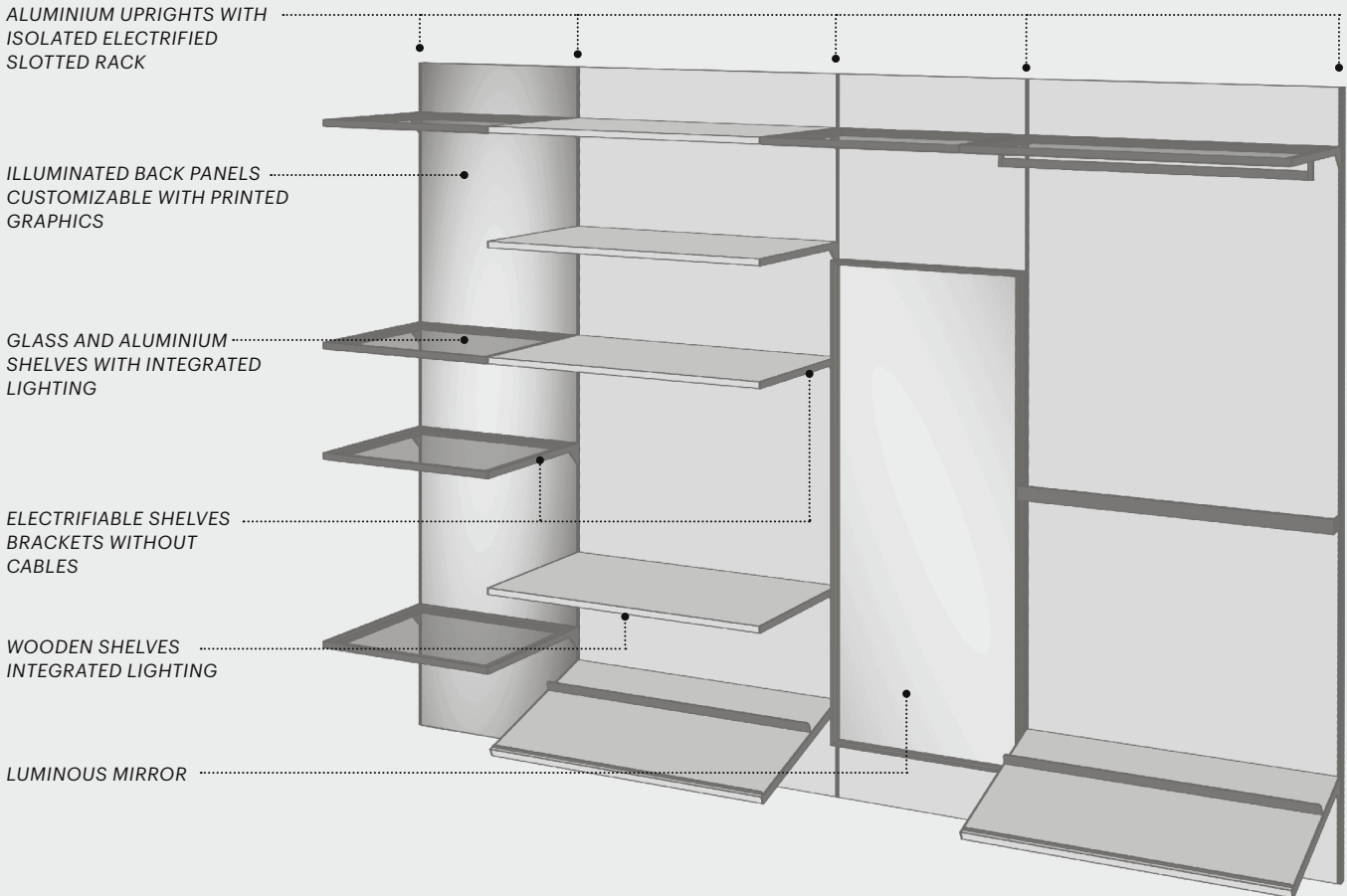
- clothing
- eyewear
- fashion accessories
- cosmetic
- pharmacy
- luxury retail

FEATURES

- modularity
- versatility
- no need for connectors



Light up your Space

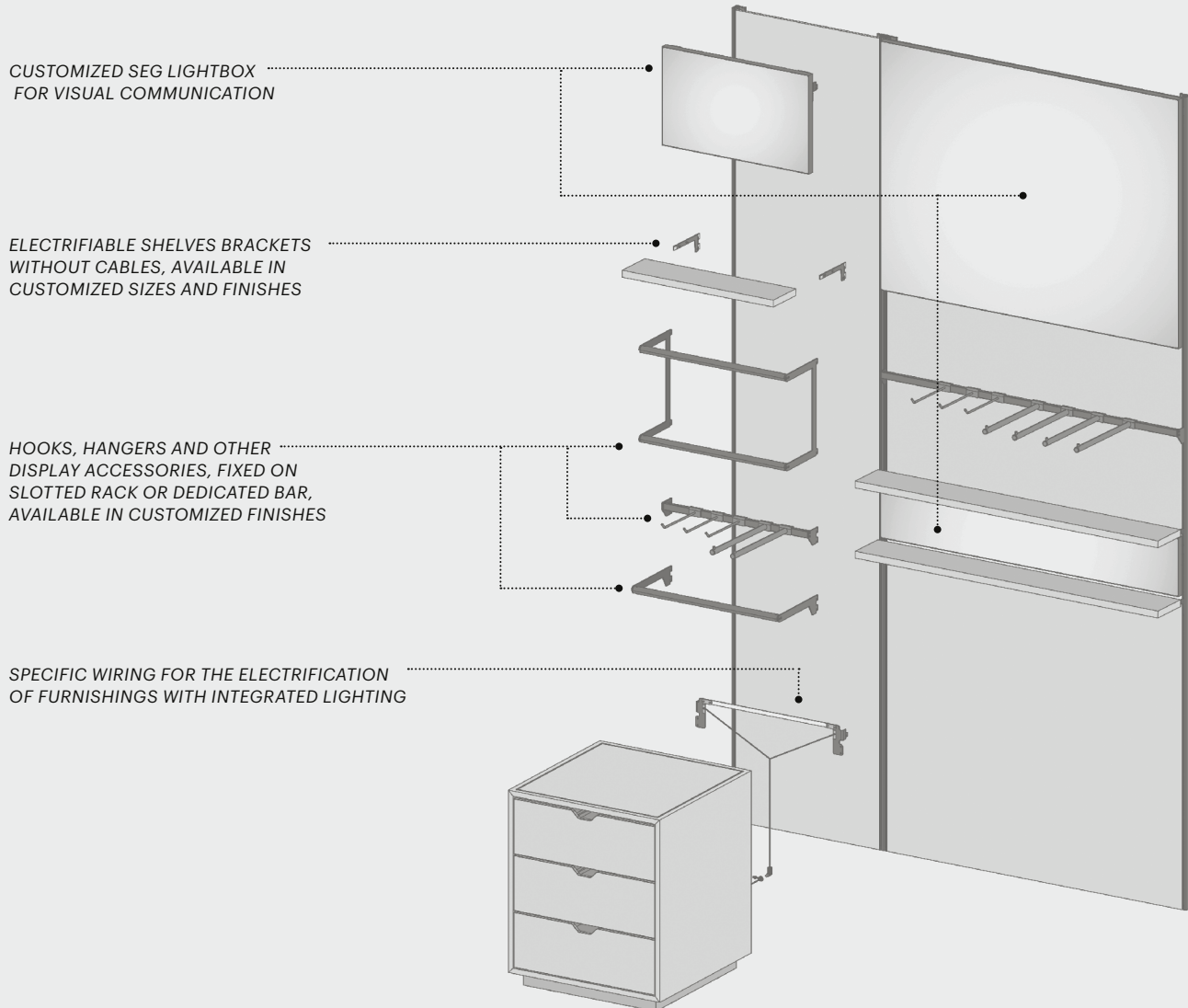


Thin Line offers a wide range of solutions and lighting systems to furnish and customize wall panelling at your needs, enhancing with ease any commercial or residential space.

Wireless power management elevating the aesthetics of the installation, allowing you to illuminate and reconfigure the wall with maximum simplicity in complete autonomy.



Bespoke solutions



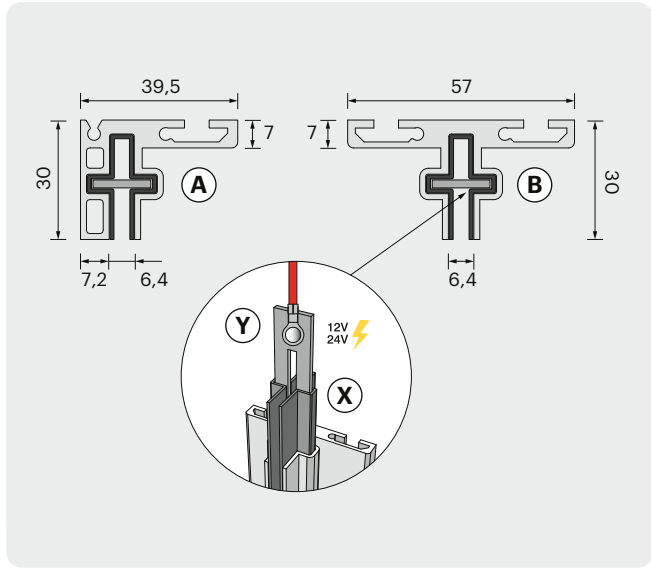
L&S stands out for its ability to develop fully customized solutions, giving customers complete creative freedom to enhance the value of their projects. Each custom Thin Line component is co-developed in close collaboration with the client and manufactured in-house, ensuring seamless technical compatibility: a tailored approach where expertise and manufacturing excellence blend to transform ideas into functional products for any commercial or residential concept.







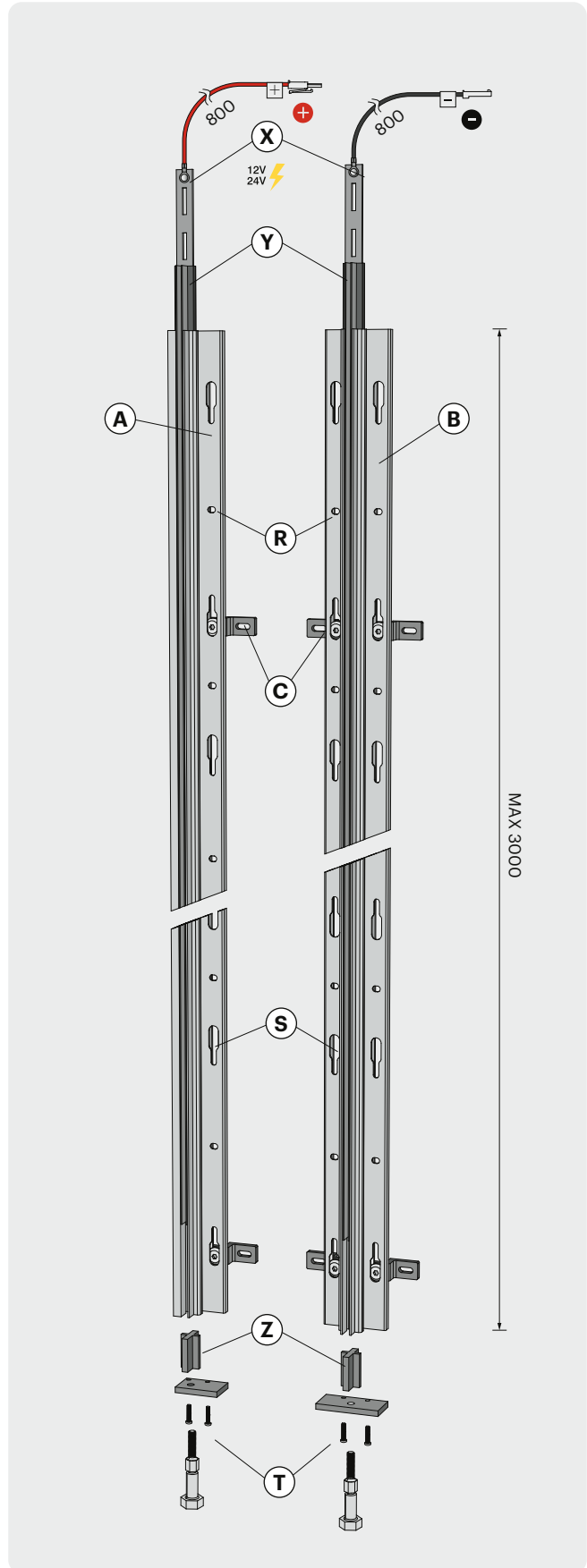
Thin Line - Aluminium uprights with electrified slotted rack



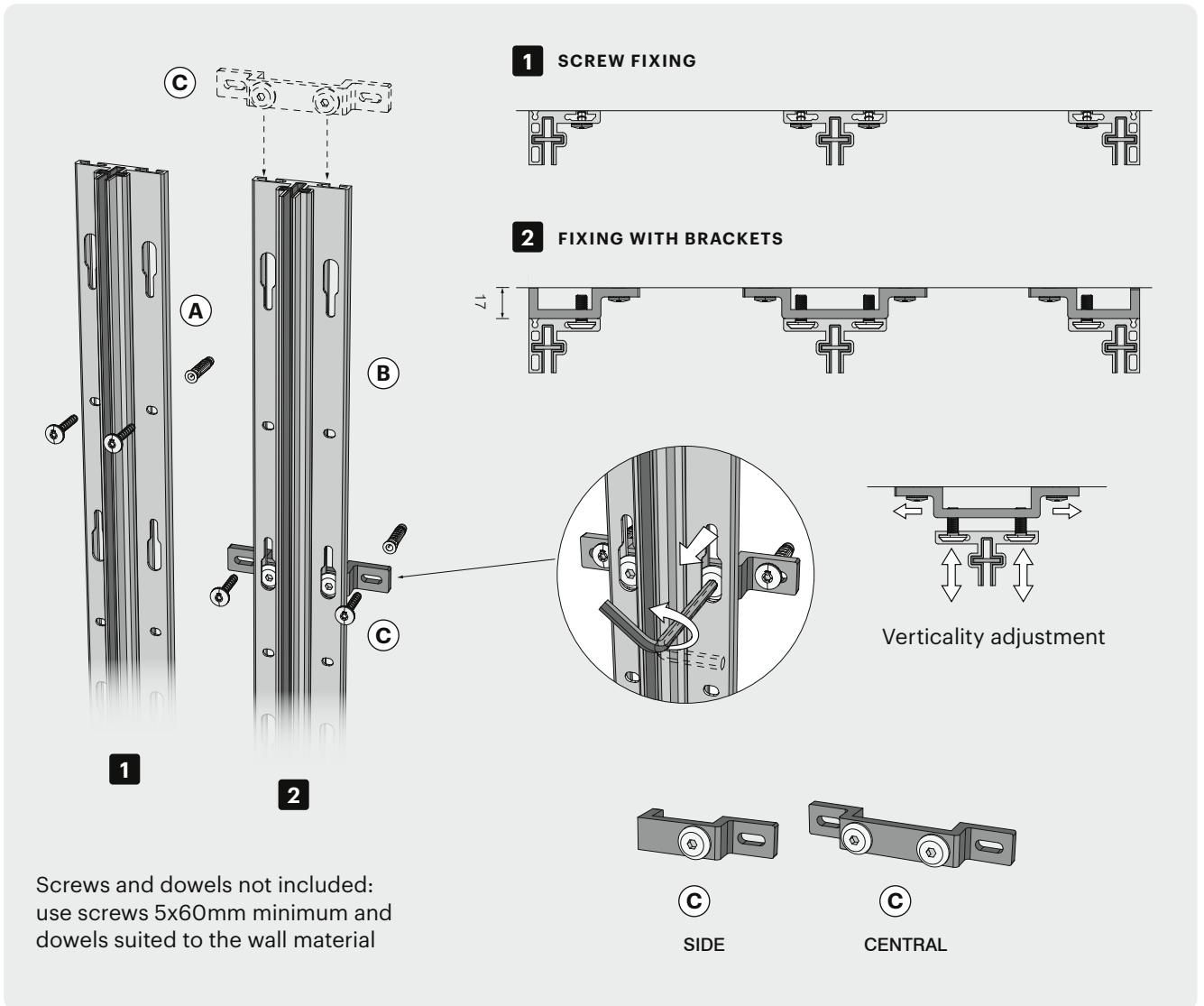
Thin Line system consists of 2 vertical uprights (A Side / B Central) in which is inserted an electrified (12-24V) slotted rack made of high load resistance carbon steel (X) for shelf brackets housing: the rack is completely isolated from the aluminum uprights by means of an extruded profile (Y) and a spacer (Z) mounted on the base, both made of V0 UL-94 fireproof polycarbonate.

Uprights are pre-drilled to be reversible and mounted in any direction and can be directly fixed to the wall with screws (fixing holes R) or by means of galvanized carbon steel brackets for precision adjustment on uneven walls (C): the side profile can be used on both end of the wall panelling (left/right).

Uprights are capped at the base with a steel plate complete with a setting foot (T), by means of which it is possible to adjust the height of the rack inside the upright for perfect shelves alignment. The Thin Line system is compatible with 10 to 23mm thick wooden backs (by the customer), fixed through the keyholes slots (S → P.16)

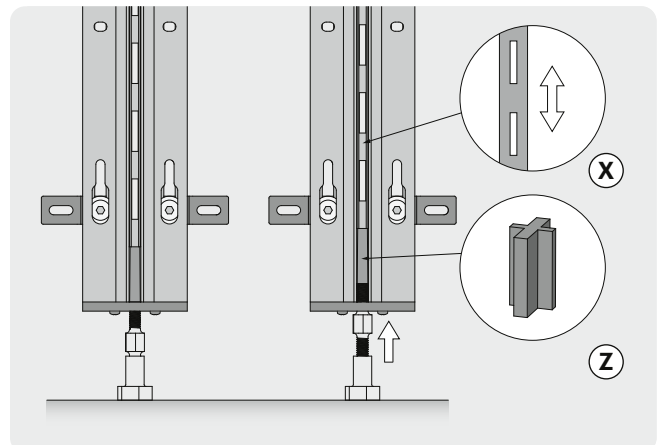


Thin Line - Wall fixing

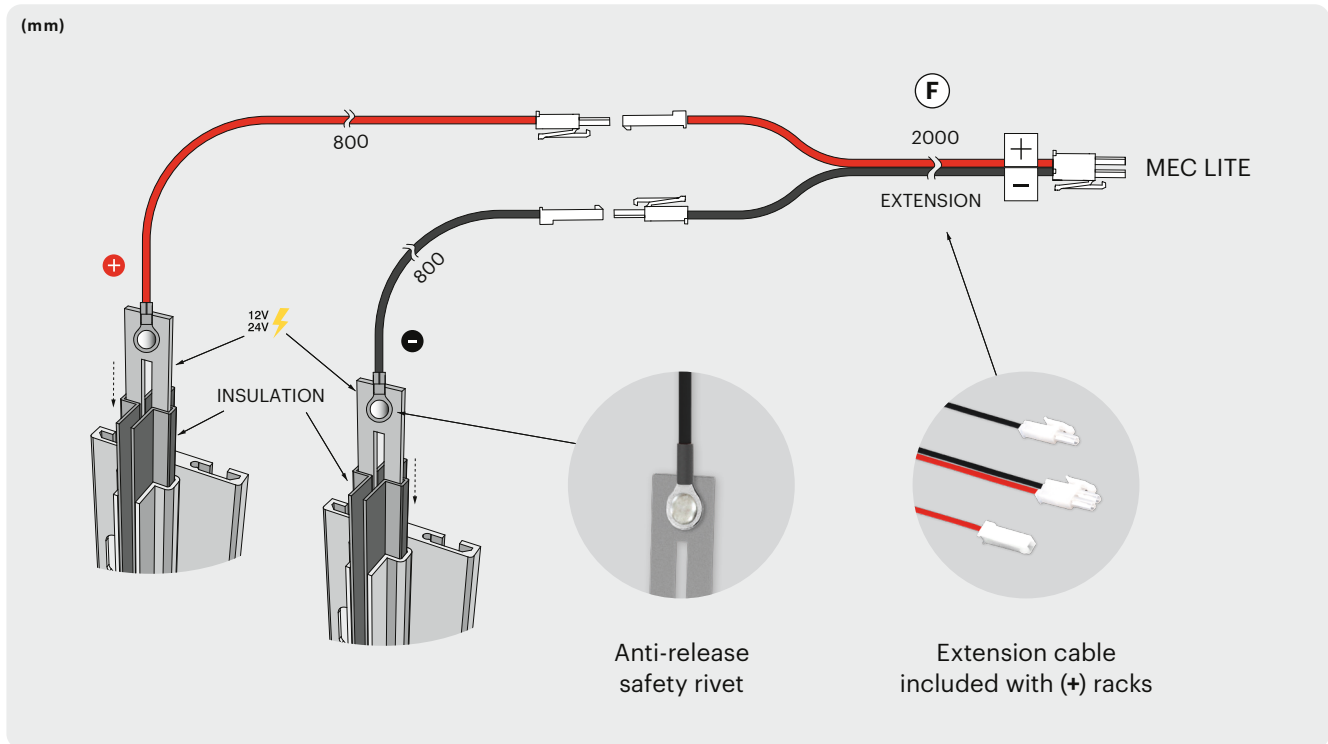


Thin Line - Double steel screw adjustable setting foot

Allows height adjustment of the electrified slotted rack (X) inside the upright for precision shelves alignment: the whole system is electrically isolated by means of a plastic spacer (Z) placed between the rack and the adjustable foot.



Thin Line - Polarized 12-24V electrified slotted rack



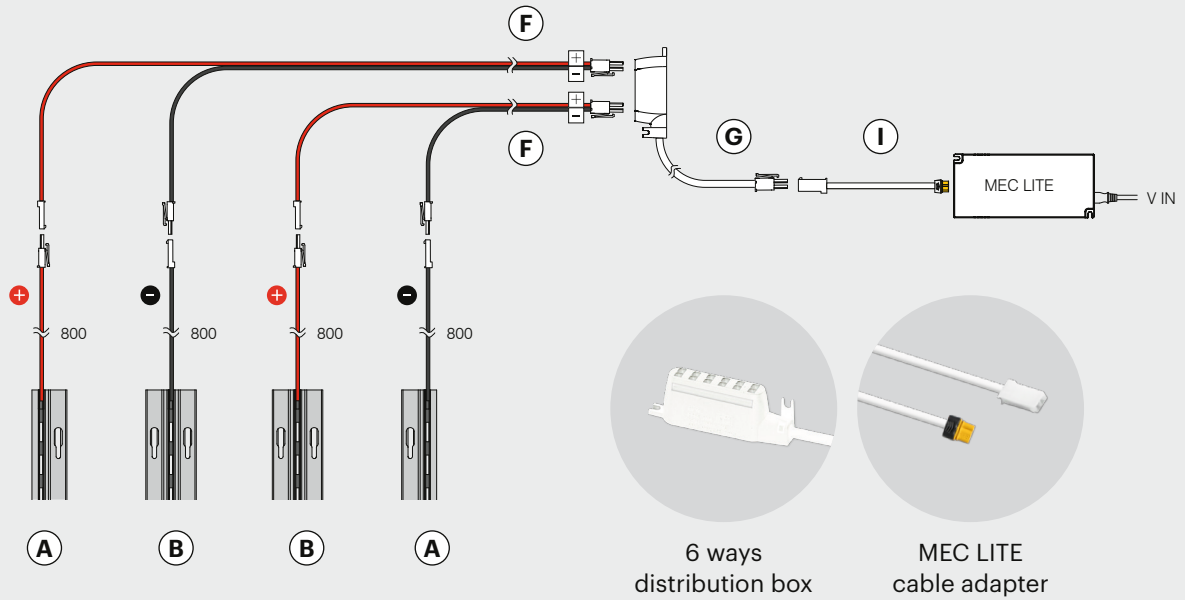
Thin line system features an electrified (12-24V) carbon steel slotted rack to be inserted into the aluminum upright, completely isolated by means of a plastic extrusion (made of VO UL-94 fireproof polycarbonate). To ensure the best electrical conduction, the steel rack is previously subjected to a special copper and nickel plating surface treatment. Each rack carries a single polarized electrical signal (+ or -) which is transmitted to the LED lamps installed on the shelves through the support brackets (P.18).

In order to correctly power the installed luminaires, it is necessary to respect the polarity alternation on each upright for the entire length of the wall panelling. Each rack is supplied with a monopolar cable (red + / - black) secured by means of an anti-release safety rivet and complete with connector. For the mains connection, use a driver with the same voltage (12V or 24V) as the lamps installed on the shelf: the power (W) supplied by the driver must always be greater than the total load applied (number of lamps mounted on the shelf).



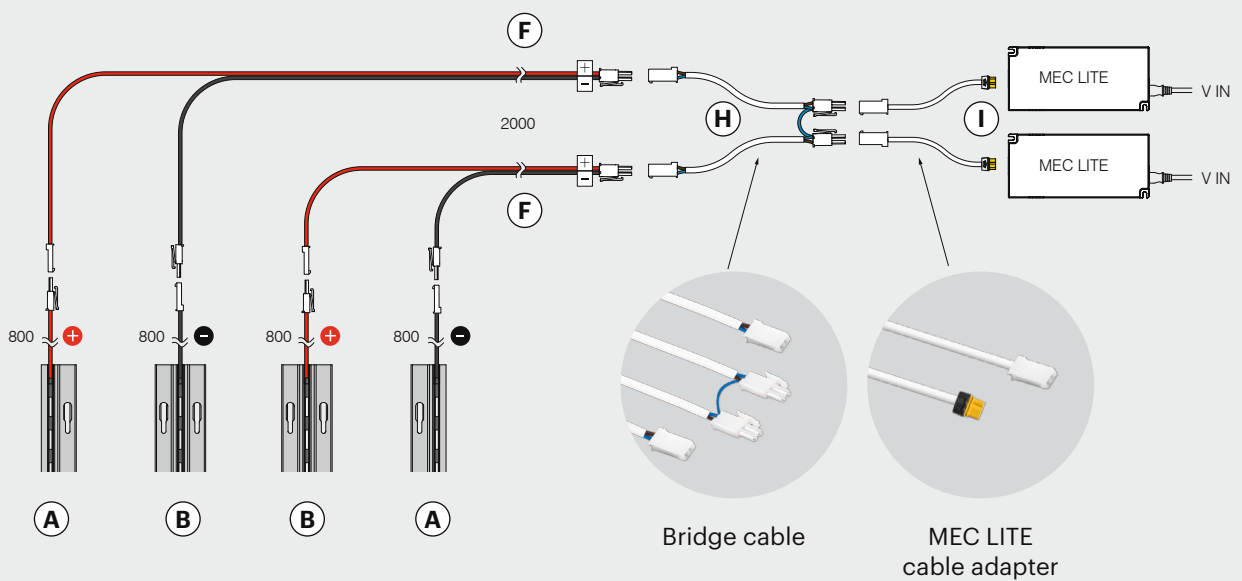
Thin Line - LED Driver connection

SINGLE DRIVER CONNECTION



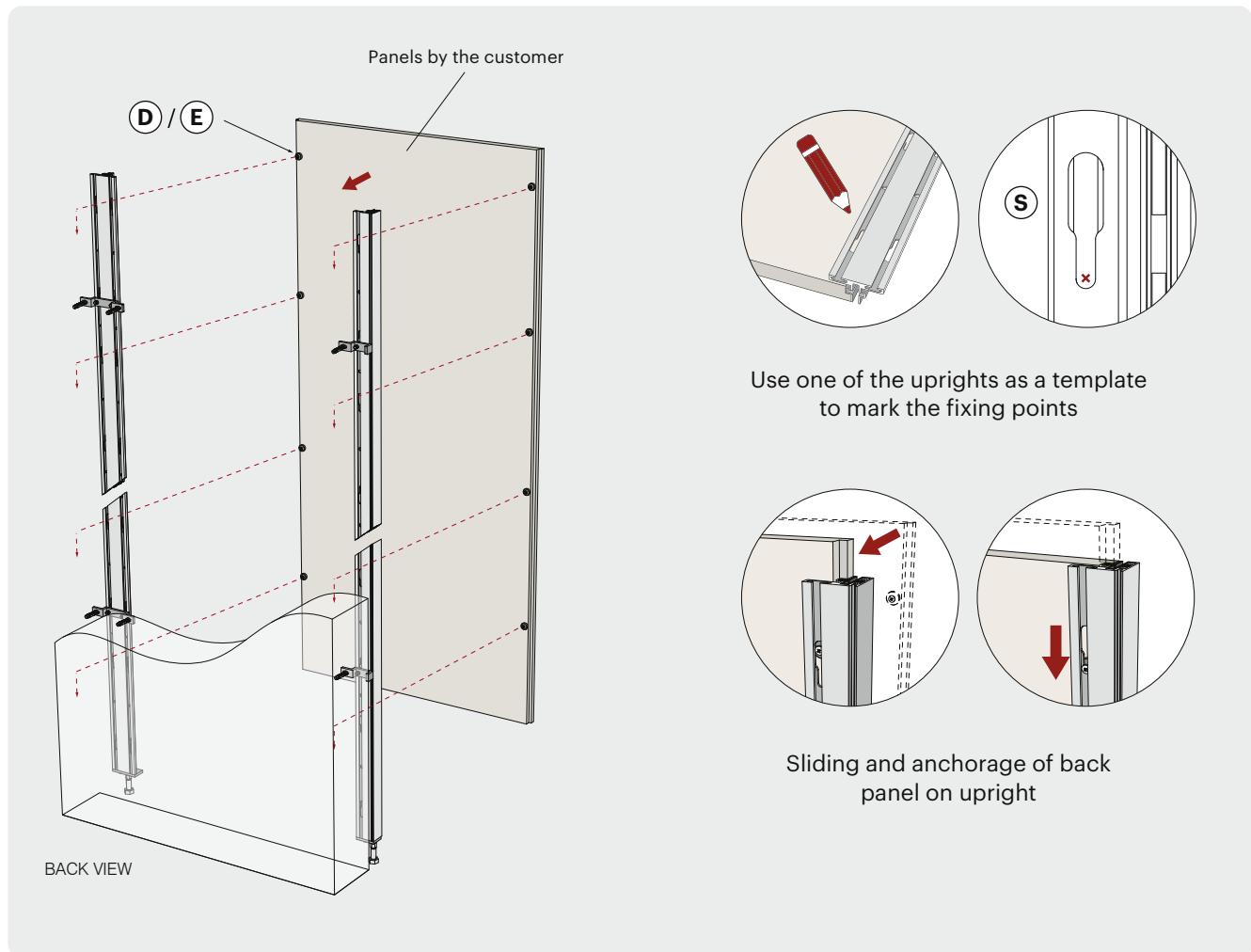
MULTIPLE DRIVER CONNECTION

In case multiple LED Drivers are needed on the same Thin Line, Drivers must be connected together by means of a bridge cable.



NOTE: Polarity alternation on each upright for the entire length of the wall panelling

Thin Line - Wooden back panel slide and interlocking assembly

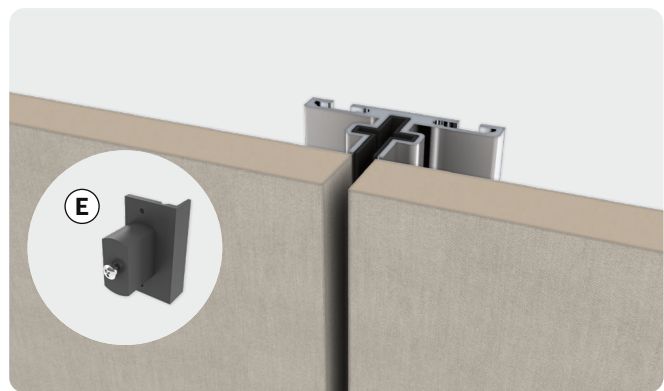


Thin Line system uses wooden back panels (by the customer) to be hung on the uprights by means of collar screws through the dedicated holes (S). Two installation methods:



1 BACK PANEL WITH VISIBLE UPRIGHT

Collar screws are fixed on the back of the panel with spacers (D) of various sizes depending on the thickness of the panel used



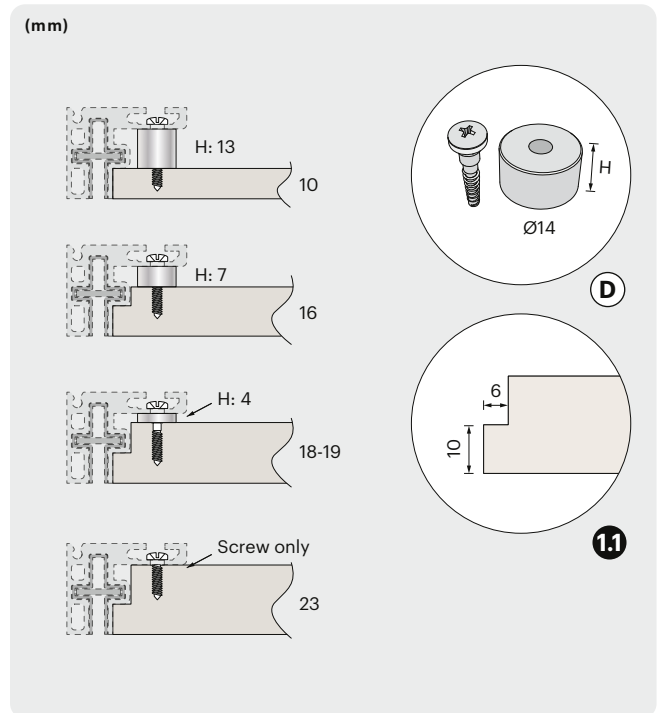
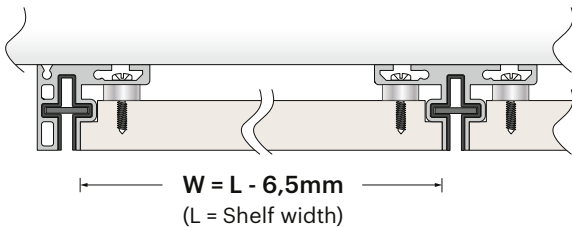
2 BACK PANEL OVERLAPPING THE UPRIGHT

Using a plastic spacer (E) complete with pre-installed collar screw, to be fixed on the back of panels of any thickness

Thin Line - Back panels installation methods

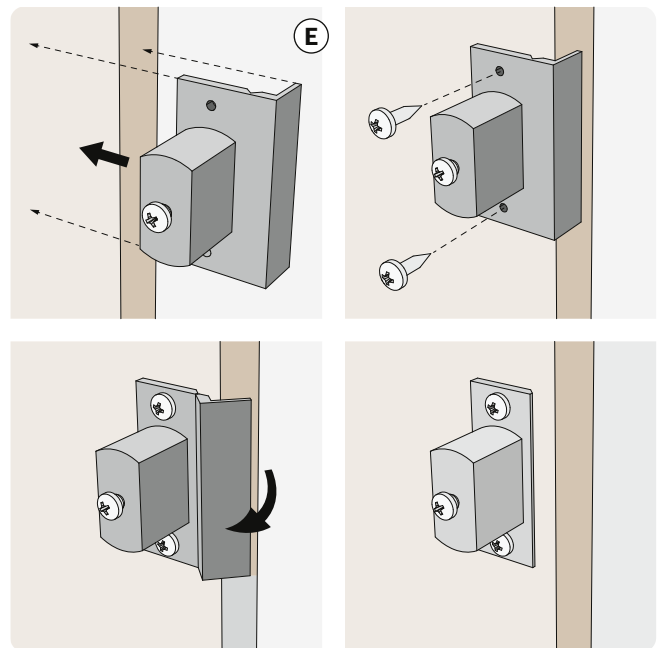
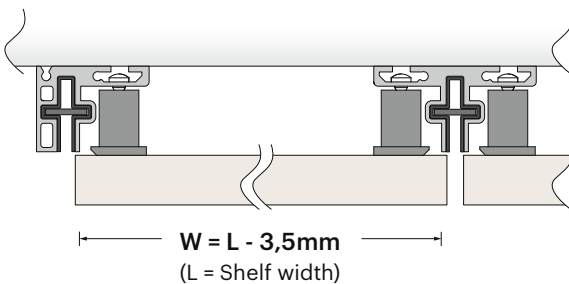
1 BACK PANEL WITH VISIBLE UPRIGHT

For wooden back panels with a thickness of 10, 16, 19 or 23 mm, to be hung on the panel back with a spacer (D) specific for each panel thickness. Panels thicker than 10mm require a grooving on the side (1.1) to correctly fit the upright. Panels with 23 mm thickness can be hung without spacer, by means of screws only. Use approximately 4 screws on each side for a 3 meters high panels



2 BACK PANEL OVERLAPPING THE UPRIGHT

The plastic spacer (E) allows for the installation of panels in a forward position, overlapping the aluminum upright, which is completely concealed: an aesthetic and functional solution that reduces the gap between panels, creating an elegant continuous surface effect, with the option to use thick panels without the need for side grooving. Quick and easy to install, the spacer is fixed with screws (not included) on the back of the panel, precisely aligned using the special removable corner template. Use approximately 4 spacers on each side for a 3 meters high panels



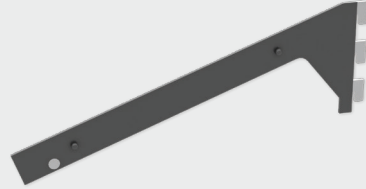
NOTE: Panel width (W) is related to the width (L) of the used shelf, thickness of the shelf support brackets excluded

Thin Line - Electrifiable shelves brackets

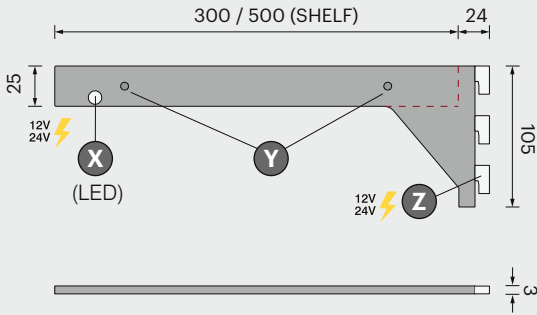
LINEAR BRACKET



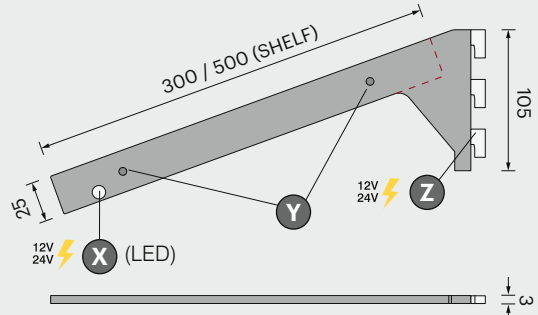
20° INCLINED BRACKET



(mm)

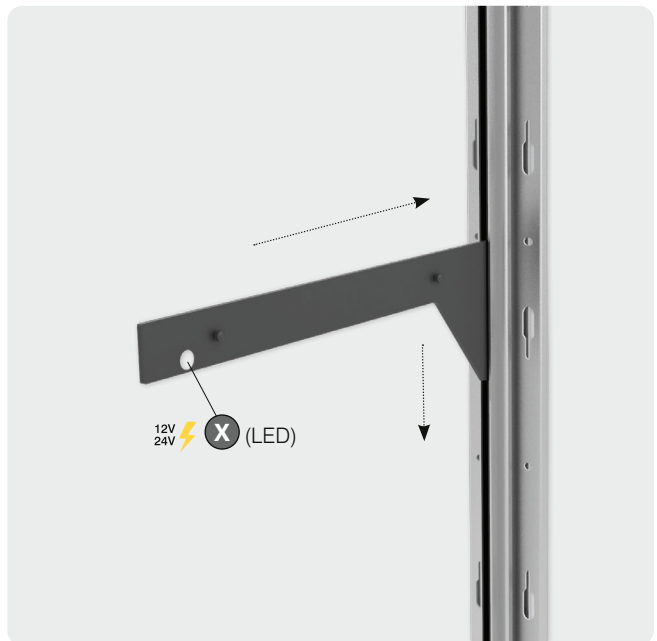


(mm)



Made of 3mm steel; complete with shelf support pins (Y) available for 25 thick shelves (others upon request) in linear and 20° inclined design, both in side (right and left) or central for in line shelves versions. To ensure the best electrical conduction, brackets are subjected to a special copper and nickel plating surface treatment, then subsequently covered with insulating epoxy paint layer (black or dark grey): electrification contacts (X/Z) are not painted, allowing the electrical 24V signal (+ / -) to be carried through the bracket, from the electrified rack inside the upright to the lamp installed on the shelf.

The positioning of the electrified contact point for the lamp (X) on the support bracket can be customized upon request. Each bracket is supplied complete with an anti-release shelf support plug (K/M) to be installed on the shelf (the number and type vary based on the version of the bracket).

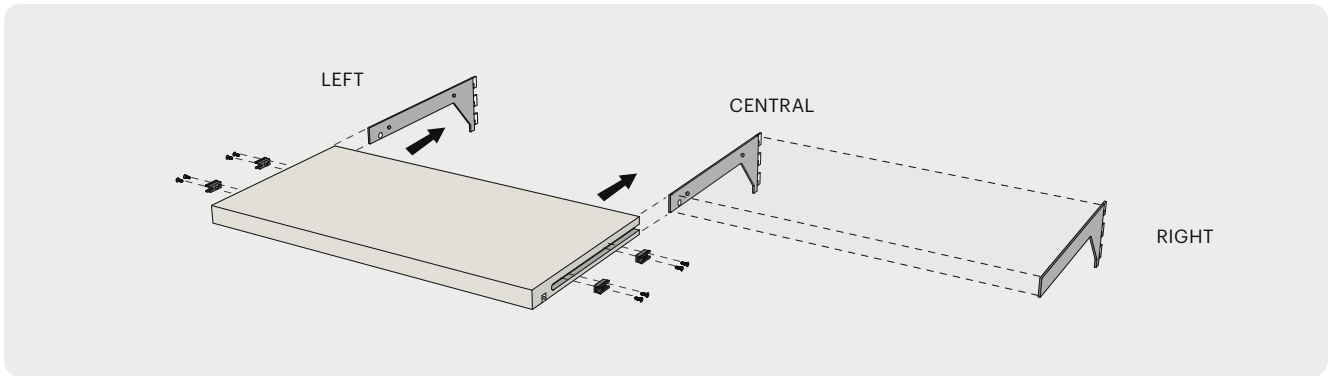


Max load: 15Kg



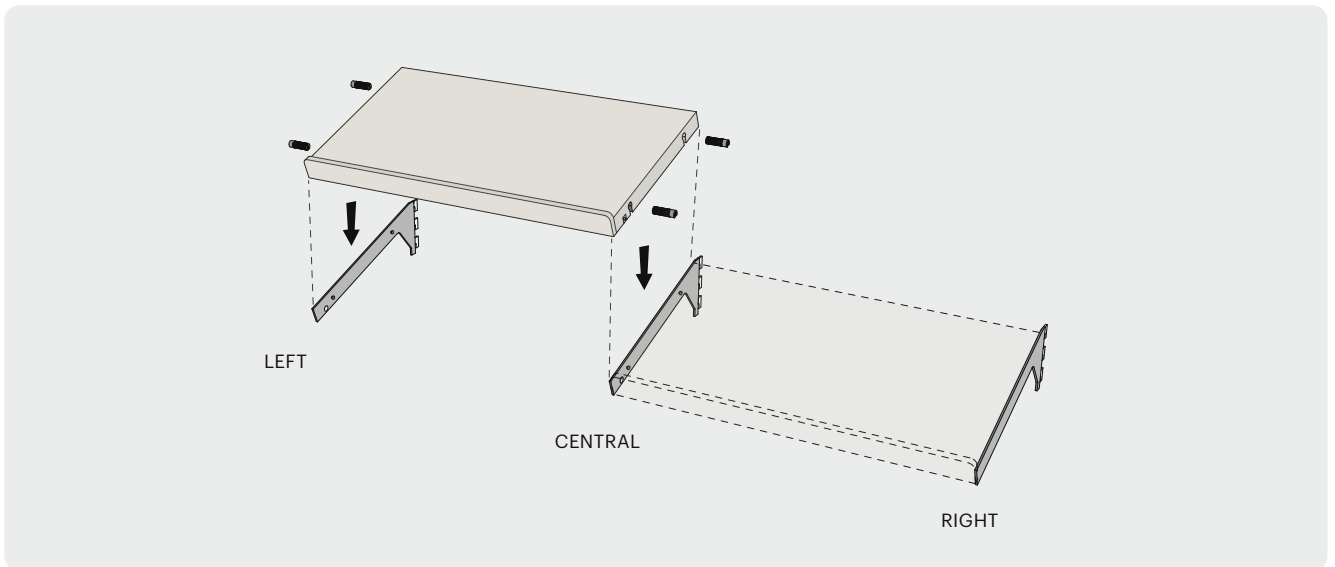
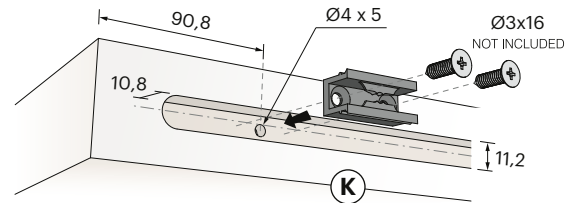


Thin Line - Anti-release shelf support plug



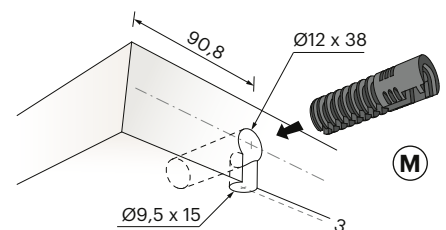
LINEAR BRACKETS

Each linear bracket is supplied complete with anti-release plug (K) for frontal insertion of the shelf onto the support pins (Y → P.18) on the brackets. Plugs must be mounted by means of screws (wooden shelves - side of the shelf requires milling - screws not included) or by pressure (glass shelves with aluminum frame - see P.25). The number of plugs included vary based on the type of bracket used (Left / Central / Right)



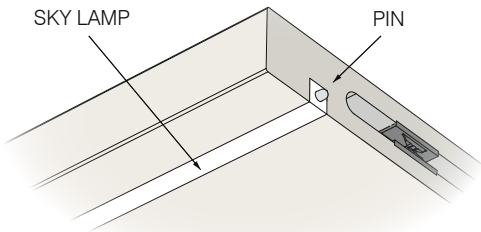
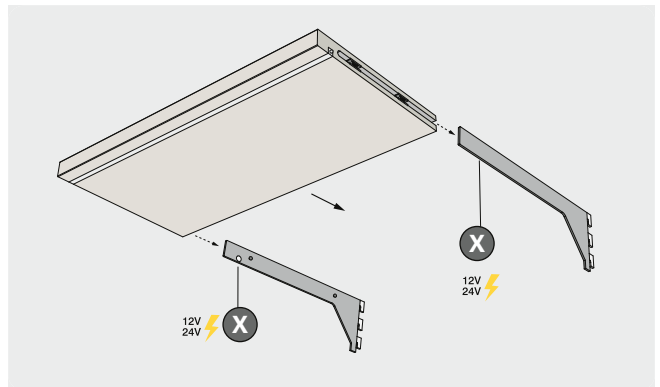
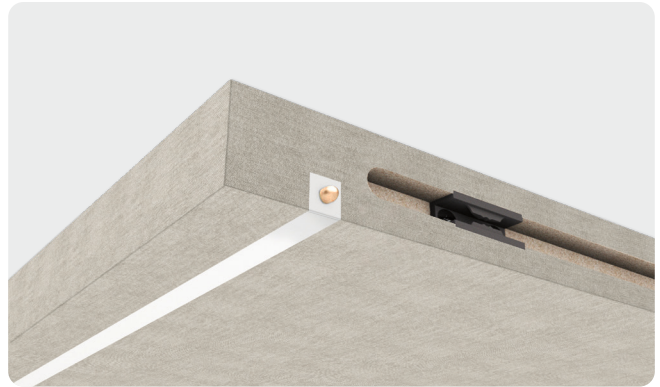
INCLINED BRACKETS

Each inclined bracket is supplied complete with anti-release plug (M) for insertion from above of wooden shelves onto the brackets' support pins (Y → P.18). The side of the shelves requires specific milling for the plugs to be inserted. The number of plugs included vary based on the type of bracket used (Left / Central / Right)



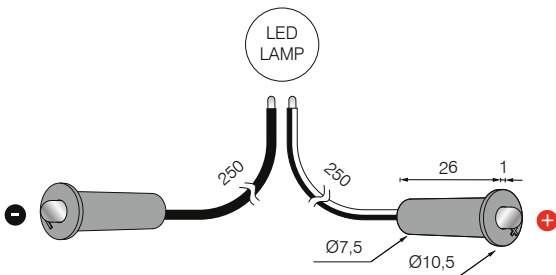
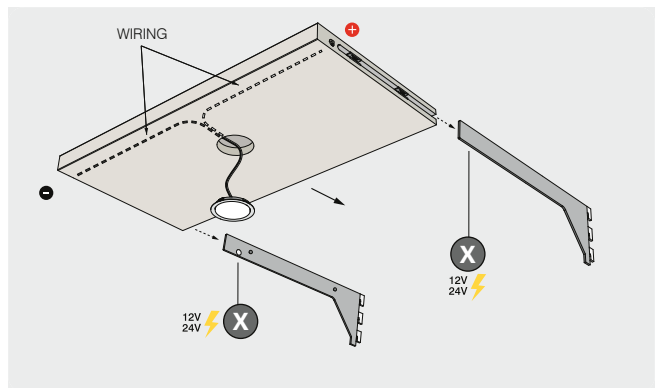
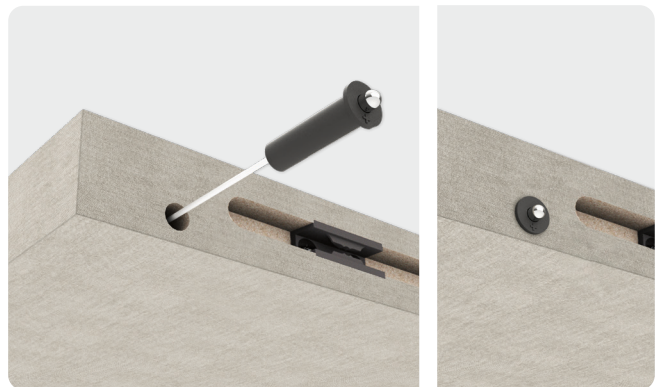
Thin Line - Lamps with integrated contacts

Thin Line System integrates perfectly with SKY PIN, the collection of linear lamps complete with integrated spring loaded contacts: the lamp is installed in the shelf without wiring, aligned with the electrified contact point on the support brackets (X → P.18). It is recommended, for ease and flexibility during installation, to opt for the “depolarized” SKY PIN versions, which allows the installation of the lamp in any orientation (no need to respect the electrified support bracket’s polarity). Upon request it is possible to customize the position on the support bracket of the electrified contact point, thus choosing the installation point of the lamp on the shelf.



Thin Line - Lamps with cabled connectors

For other lighting systems it is possible to use a pair of connectors cabled to the lamp: connectors must be installed on the sides of the shelf, aligned with the electrified contact points (X → P.18) on the support brackets. To optimize the wiring inside the shelf, both the positioning of the electrified contact point and the length of the lamp cable can be customized upon request.

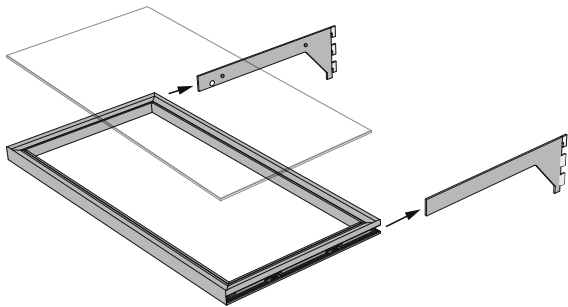






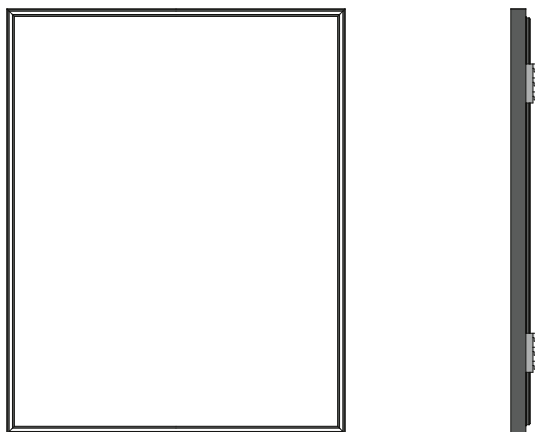
Thin Line - Glass shelf with aluminum frame

Anodized aluminium frame in black or titanium bronze finish, complete with integrated lighting with electrification contacts; 4mm transparent glass; compatible with linear shelves support brackets. Custom measures upon request.



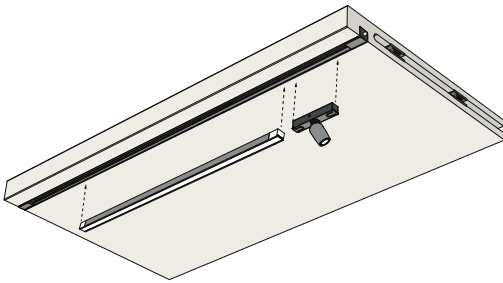
Thin Line - VIP luminous mirror

Anodized aluminium frame in black or titanium bronze finish; front light on 4 sides, with or without backlighting, and proximity switch mounted on the side; custom measures upon request.



Thin Line - Electrified track for adjustable spotlights

Directional lighting, positioned only where necessary: the Lite Track electrified rail, complete with integrated spring electrification contacts, is the ideal solution to conceal the light source and focus attention on the illuminated object. Elegant black finish, recessed installation in 11mm width only mill, Lite track is installed in the shelf without wiring, aligned with the electrified contact point on the support brackets (X → P.18) and can easily power miniaturized adjustable spotlights and linear lamps through magnetic mounting.



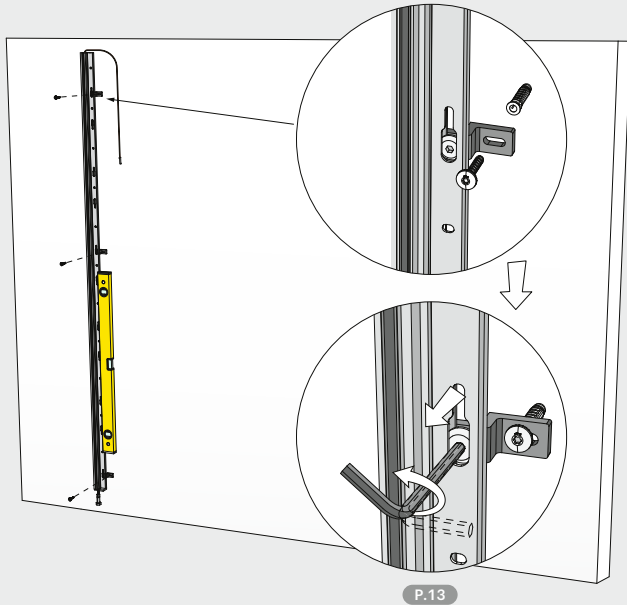
Thin Line - Solaris light panel

Bespoke measure only; frameless; replaces or integrates the wooden back panel; customizable with prints for use as a visual communication tool.

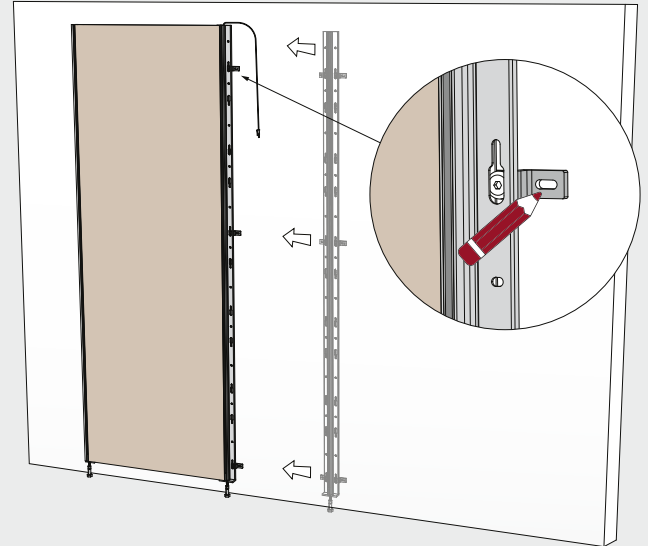




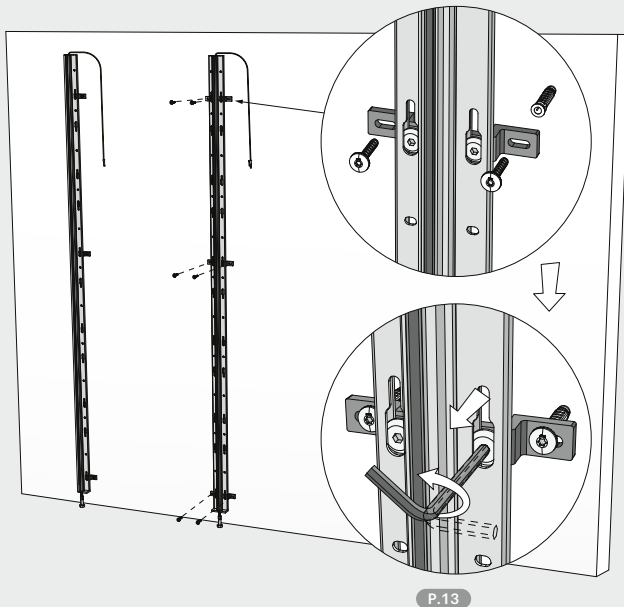
Thin Line - Wall paneling installation



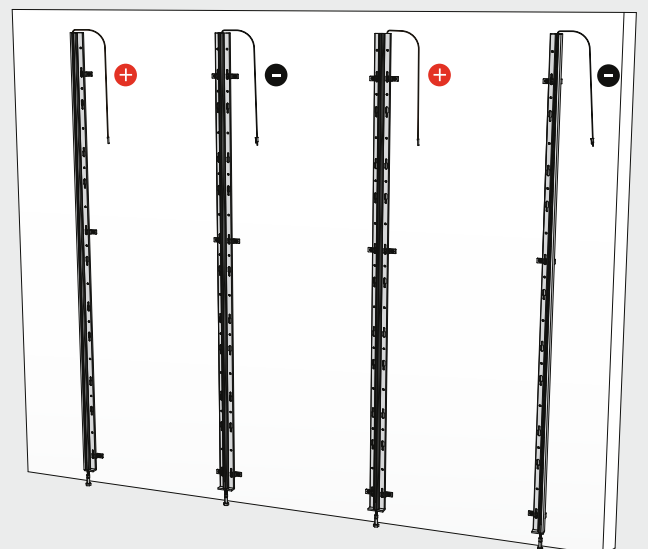
1 - Fix the first upright (side) to the wall, checking that it is levelled and adjusting its verticality using the wall fixing brackets



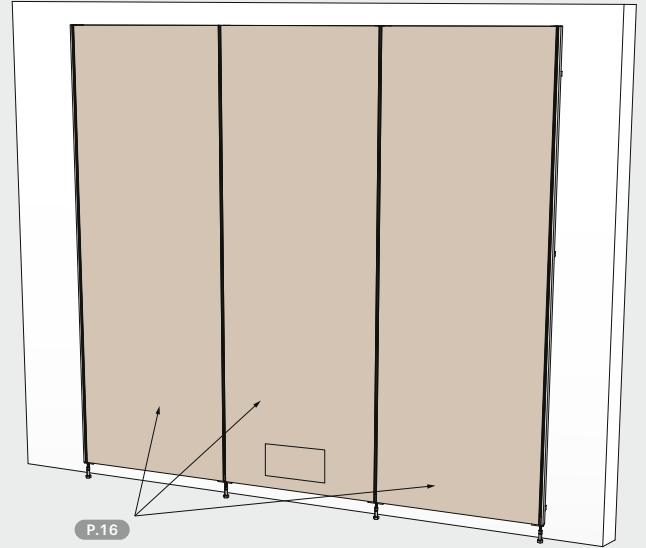
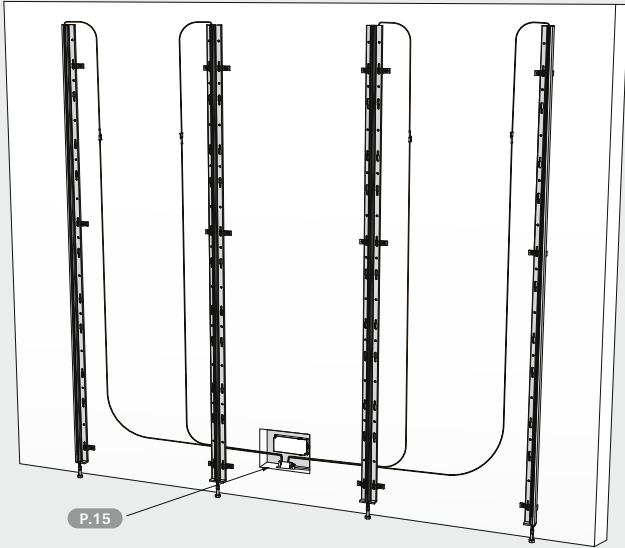
2 - Place the next upright (central): use a back panel as a template to locate the correct position of the upright and mark the fixing points



3 - Remove the back panel and fix the upright to the wall, adjusting its verticality using the wall fixing brackets

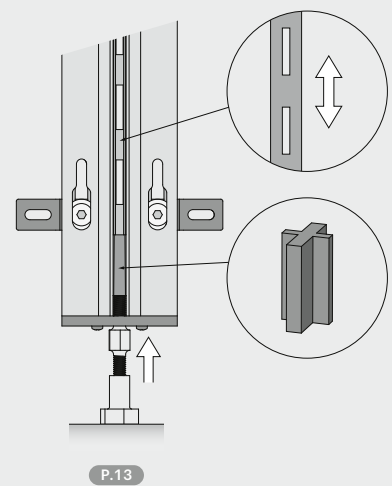
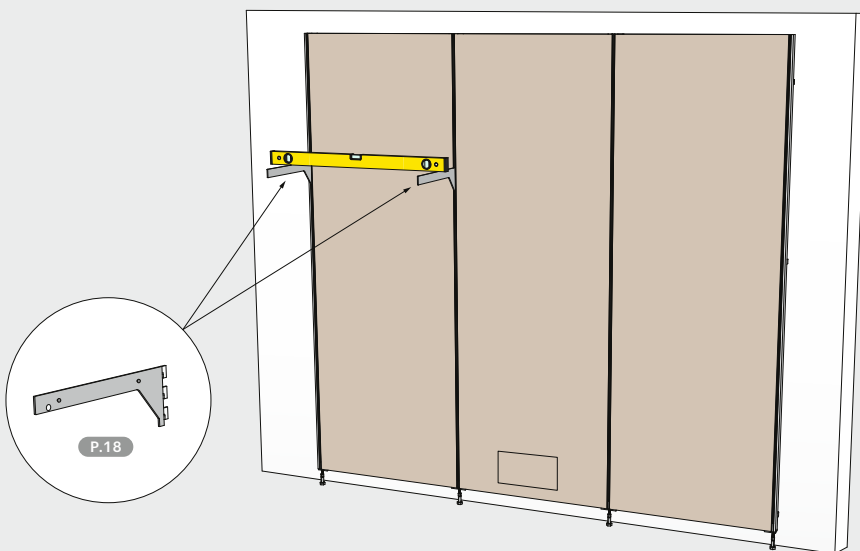


4 - Repeat steps 2 and 3 to complete wall mounting of all uprights, respect the polarity alternation on each upright for the entire length of the wall panelling



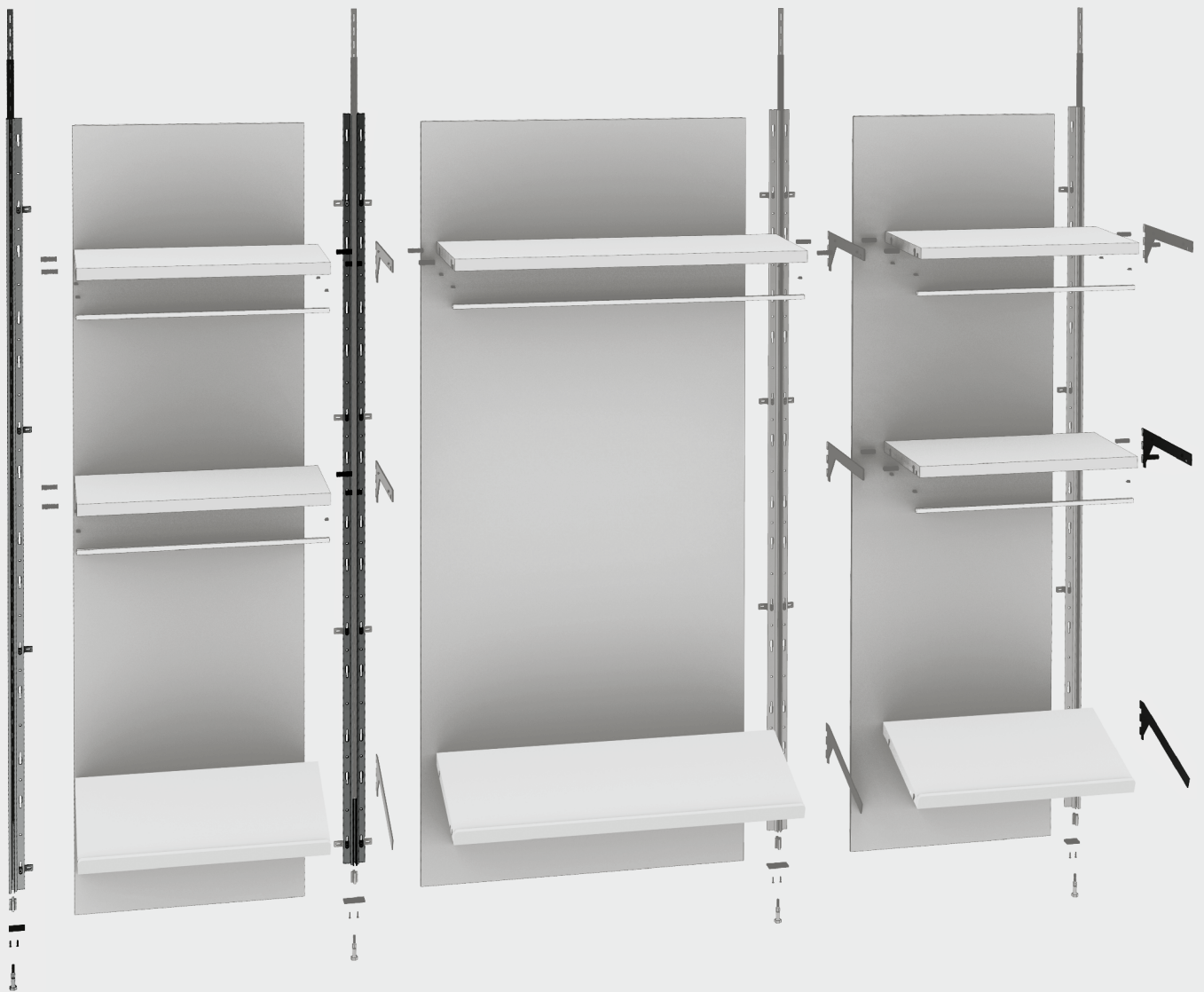
5 - Connect the polarized cables to the LED Driver (to be fixed to the wall or inside junction box / inspectionable compartment)

6 - Install the back panels on the uprights (sliding and anchorage): it is suggested to prepare an inspection hatch to access the LED Driver.



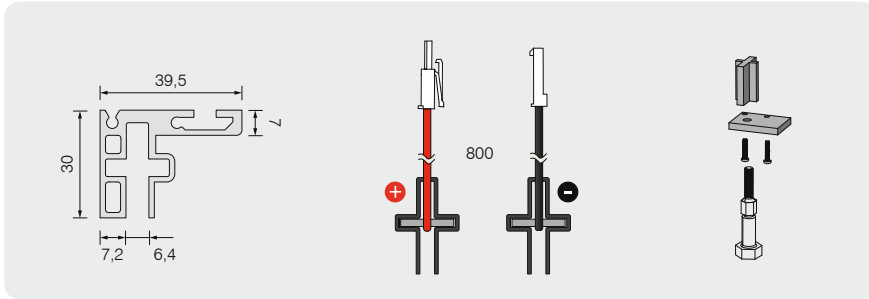
7 - Adjust the height of the slotted rack inside the uprights by means of the setting foot' screw: use two shelf brackets to check that the racks are leveled correctly (repeat the operation for the entire length of the wall panelling)

Parts and accessories codes



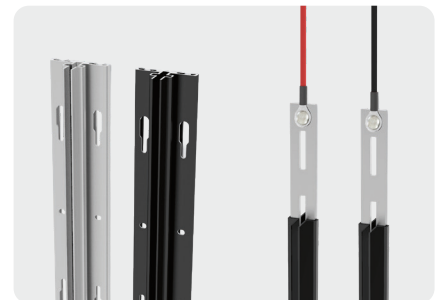
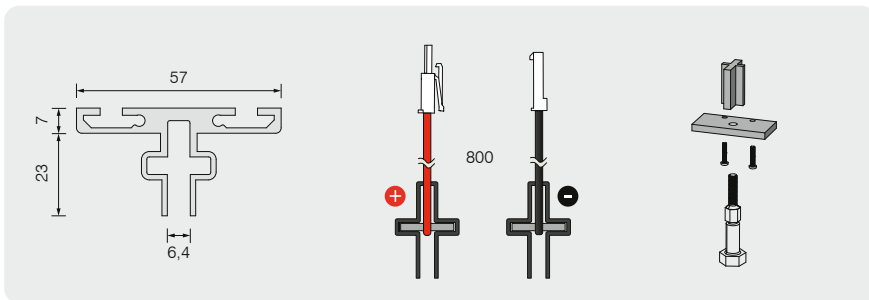
Thin Line - Parts and accessories codes

(A) Complete side upright



		3000mm	CODE
Anodized aluminium side upright. Cabled slotted rack (+ or -) complete with insulation profile. Setting foot included (not assembled). Extension cable (F) → P.33 included with (+) rack. Screws and dowels for wall installation not included. Other measures and finishes upon request.	black	+	91000065
		-	91000066
	aluminium	+	91000067
		-	91000068

(B) Complete central upright



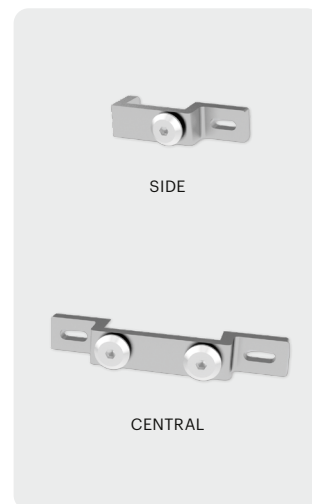
		3000mm	CODE
Anodized aluminium central upright. Cabled slotted rack (+ or -) complete with insulation profile. Setting foot included (not assembled). Extension cable (F) → P.33 included with (+) rack. Screws and dowels for wall installation not included. Other measures and finishes upon request.	black	+	91000061
		-	91000062
	aluminium	+	91000063
		-	91000064

Thin Line - Parts and accessories codes

Ⓒ Wall fixing brackets

Min. 3 brackets for 3m upright.
Screws and dowels not included.

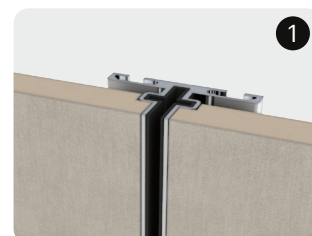
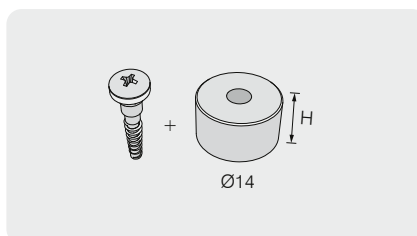
	3 PCS		CODE
		side	600800031
		central	600800032



Ⓓ Back panel fixing screw

Collar screws complete with spacer in different heights depending on the thickness of the panel used: for back panel installation with visible uprights (1).
Use approximately 4 screws on each side for a 3 meters high panel.

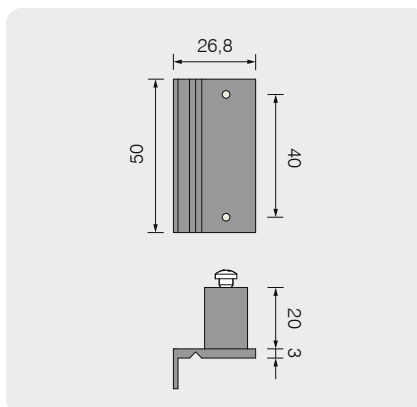
		CODE
10 PCS - H4mm	for 18-19mm panels	600800033
10 PCS - H7mm	for 16mm panels	600800034
10 PCS - H13mm	for 10mm panels	600800035



Ⓔ Back panel plastic spacer

Complete with pre-installed collar screw and removable installation corner template: the spacer allows the installation of the backrests in a forward position, overlapping (2) the aluminium upright.
Use approximately 4 spacers on each side for a 3 meters high panels. Fixing screws not included.

	10 PCS	CODE
		754900114



Thin Line - Parts and accessories codes

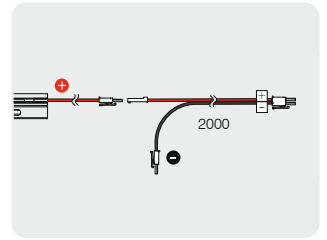
F Extension cable 2000mm

Cable for the onnection of two consecutive complete uprights (+ / -).

1 PCS

Inkl. with complete A/B (+) uprights → P.31

Diagram → P.15



G 6 Ways distribution box

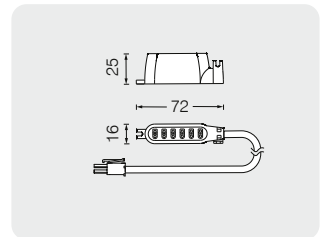
For complete uprights connection to Driver.

1 PCS

CODE

940600532

Diagram → P.15



H Bridge cable

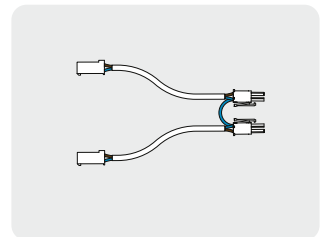
For complete uprights connection to multiple Drivers.

1 PCS

CODE

910300010

Diagram → P.15



I MEC LITE cable

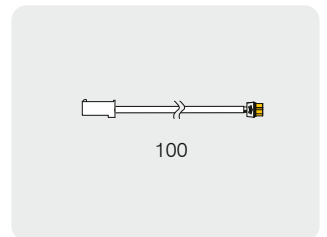
MEC LITE system cable adapter.

1 PCS

CODE

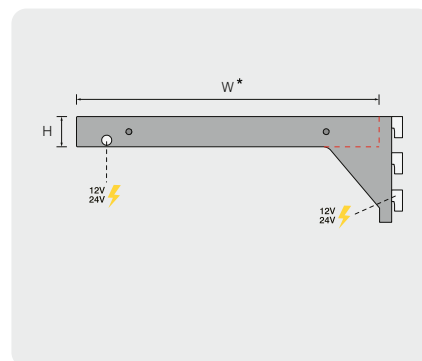
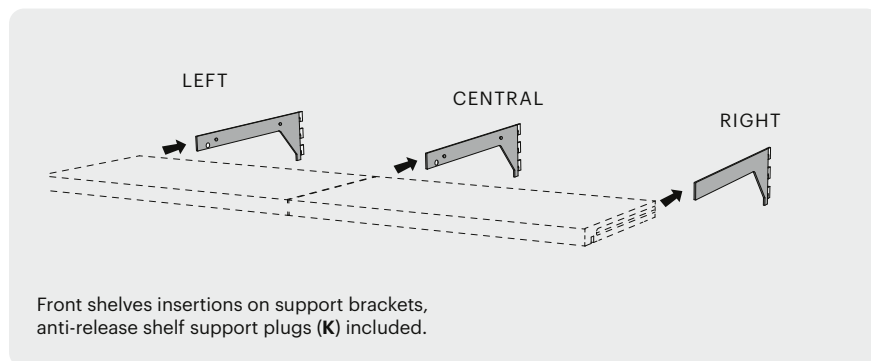
940600533

Diagram → P.15



Thin Line - Parts and accessories codes

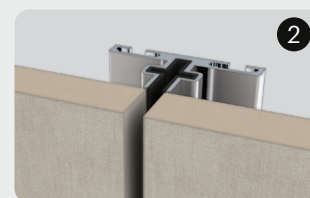
J Electrifiable shelves brackets (linear)



Note for wooden shelf
 The shelf depth indicated in the table (**W**: 300 or 500mm) refers to the installation of the paneling with visible uprights (1). In case of installation with back panels overlapping the upright (2) it is necessary to subtract the thickness (**T**) of the back panel used from the depth of the shelf (**W**).



Shelf depth = **W**



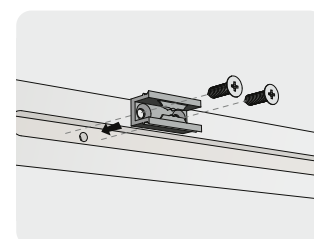
Shelf depth = (**W - T**)

				CODE
Made of painted steel (black or dark grey); other measures and finishes upon request; non electrifiable version on request. Shelf support plugs (K) included.	W 300 x H 25mm (shelf dimensions)	black	left	942100004
			central	942100006
			right	942100002
		grey	left	942100003
			central	942100005
			right	942100001
	W 500 x H 25mm (shelf dimensions)	black	left	942100010
			central	942100012
			right	942100008
		grey	left	942100009
			central	942100011
			right	942100007

K Anti-release shelf support plug

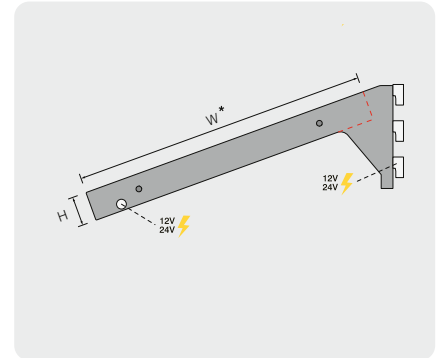
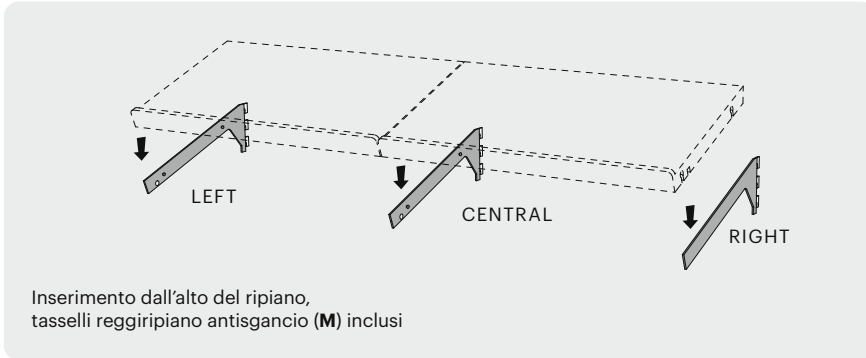
For use on wooden or aluminium and glass shelves (N).
 The number depends on the type of bracket (left/central/right).
 Screws for wooden shelves fixing not included.

- 2PCS - Inkl. with left linear shelf bracket (J)
- 4PCS - Inkl. with central linear shelf bracket (J)
- 2PCS - Inkl. with right linear shelf bracket (J)



Thin Line - Parts and accessories codes

(L) Electrifiable shelves brackets (inclined)



Note for wooden shelf
 The shelf depth indicated in the table (**W**: 300 or 500mm) refers to the installation of the paneling with visible uprights (1). In case of installation with back panels overlapping the upright (2) it is necessary to subtract the thickness (**T**) of the back panel used from the depth of the shelf (**W**).

Shelf depth = **W**

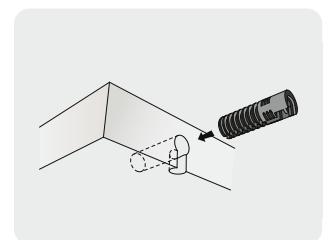
Shelf depth = **(W - T)**

				CODE
Made of painted steel (black or dark grey); other measures and finishes upon request; non electrifiable version on request. Shelf support plugs (M) included.	W 300 x H 25mm (shelf dimensions)	black	left	942100016
			central	942100018
			right	942100014
		grey	left	942100015
			central	942100017
			right	942100013
	W 500 x H 25mm (shelf dimensions)	black	left	942100022
			central	942100024
			right	942100020
		grey	left	942100021
			central	942100023
			right	942100019

(M) Anti-release shelf support plug

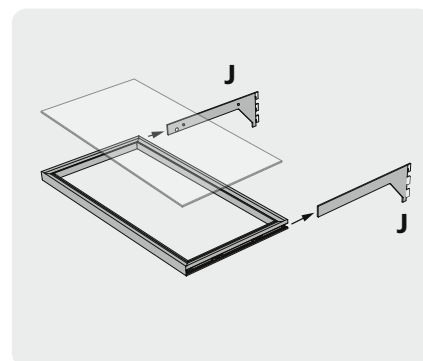
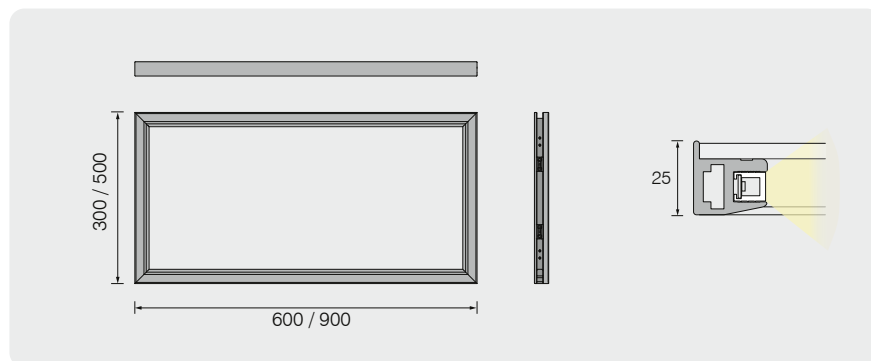
For use on wooden shelves.
 The number depends on the type of bracket (left/central/right).
 Fixing screws not included.

- 2PCS - Inkl. with left inclined shelf bracket (L)
- 4PCS - Inkl. with central inclined shelf bracket (L)
- 2PCS - Inkl. with right inclined shelf bracket (L)



Thin Line - Parts and accessories codes

(N) Glass shelf with aluminum frame

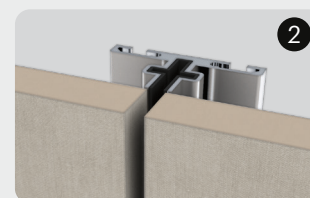


Note for shelves depth

The shelf depth indicated in the table (300 or 500mm) refers to the installation of the paneling with visible uprights (1). In case of installation with back panels overlapping the upright (2) it is necessary to indicate when ordering the thickness of the back panel used, for custom aluminium frames manufacturing.



Standard codes



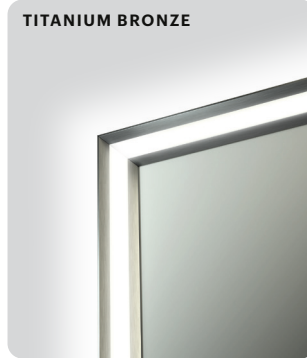
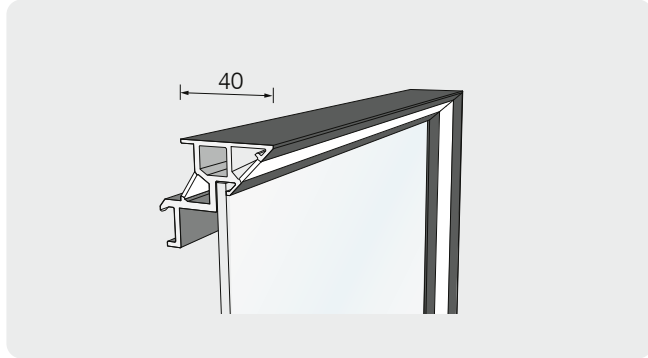
Custom

				CODE
Anodized aluminium frame in black or titanium bronze finish, with 4mm transparent glass. Complete with integrated lighting with electrification contacts. Insertion on linear brackets (J → P.34) by means of shelf support plugs (K - included with the brackets, screwless assembly). Custom measures upon request.	W 300 x L 600mm	black	2700K	595800004
			4000K	595800003
		titanium bronze	2700K	595800002
			4000K	595800001
	W 300 x L 900mm	black	2700K	595800008
			4000K	595800007
		titanium bronze	2700K	595800006
			4000K	595800005
	W 500 x L 600mm	black	2700K	595800012
			4000K	595800011
		titanium bronze	2700K	595800010
			4000K	595800009
W 500 x L 900mm	black	2700K	595800016	
		4000K	595800015	
	titanium bronze	2700K	595800014	
		4000K	595800013	



Thin Line - Parts and accessories codes

⊙ VIP Luminous mirrors

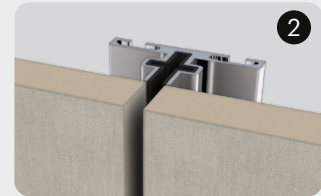


Nota profondità ripiano

The codes indicated in the table refers to the installation of the paneling with visible uprights (1). In case of installation with back panels overlapping the upright (2) it is necessary to indicate when ordering the thickness of the back panel used, for custom electrified fixing brackets manufacturing.



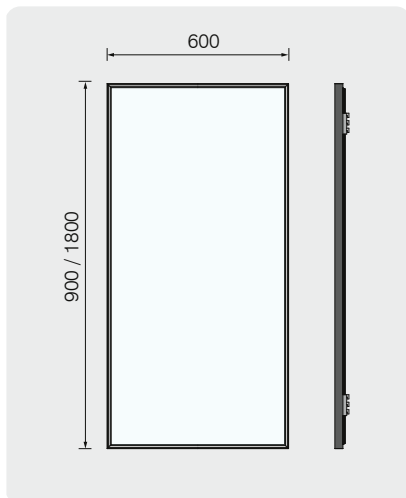
Standard codes



Custom

Anodized aluminium frame in black or titanium bronze finish.
 Front light on 4 sides, with or without backlighting, and proximity switch mounted on the side (double switch in backlit models).
 Custom measures upon request.

					CODE
H 900 x W 600mm	44W	black	2700K	547200010	
			4000K	547200002	
		titanium bronze	2700K	547200009	
			4000K	547200001	
H 900 x W 600mm With backlighting	60W	black	2700K	547200014	
			4000K	547200006	
		titanium bronze	2700K	547200013	
			4000K	547200005	
H 1800 x W 600mm	66W	black	2700K	547200012	
			4000K	547200004	
		titanium bronze	2700K	547200011	
			4000K	547200003	
H 1800 x W 600mm With backlighting	98W	black	2700K	547200016	
			4000K	547200008	
		titanium bronze	2700K	547200015	
			4000K	547200007	



Thin Line - Parts and accessories codes

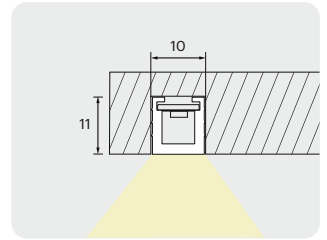
Ⓟ SKY PIN

Recessed linear lamps with an opal polycarbonate diffuser and depolarized spring loaded contacts.

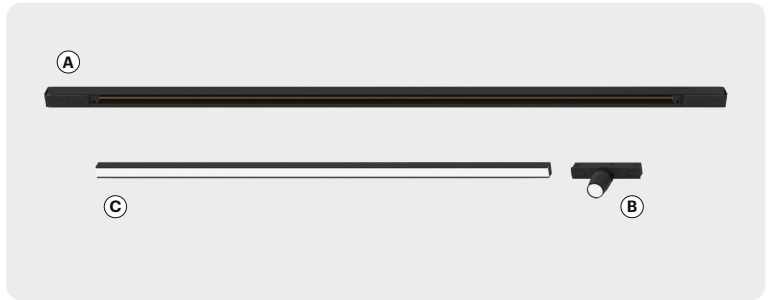
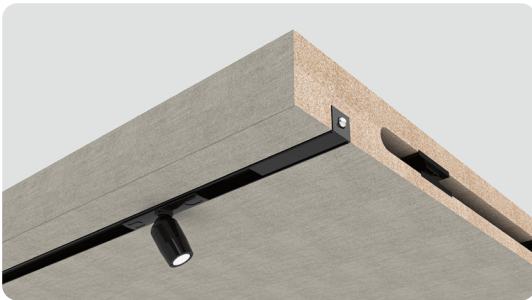
Custom sizes available upon request

Description → [P.22](#)

		CODE	
600mm	4,16W	2700K	520100002
		4000K	520100001
900mm	6,56W	2700K	520100004
		4000K	520100003



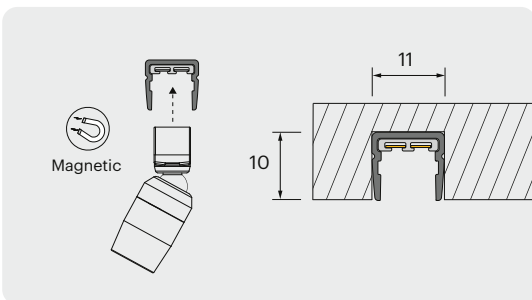
Ⓠ Lite Track

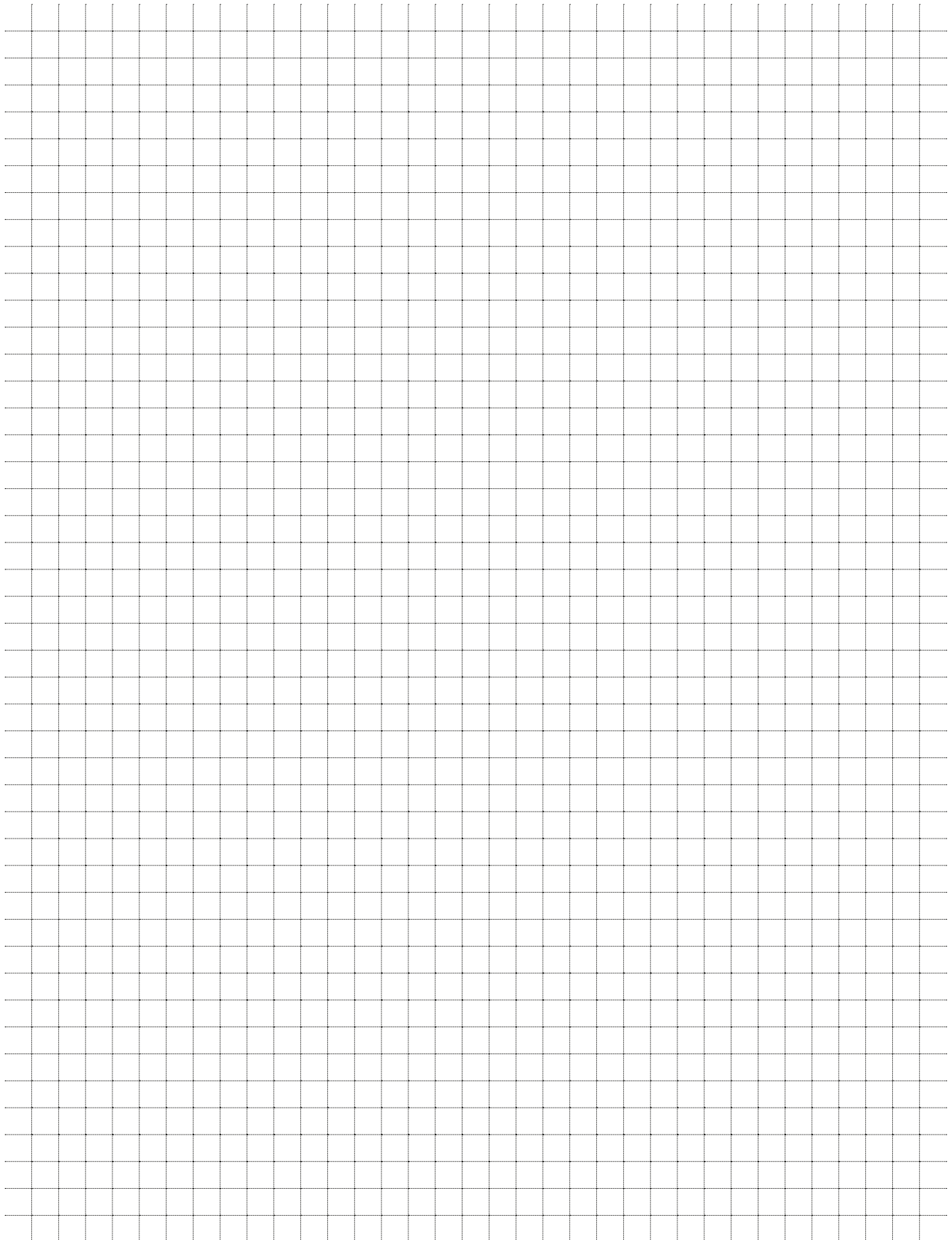


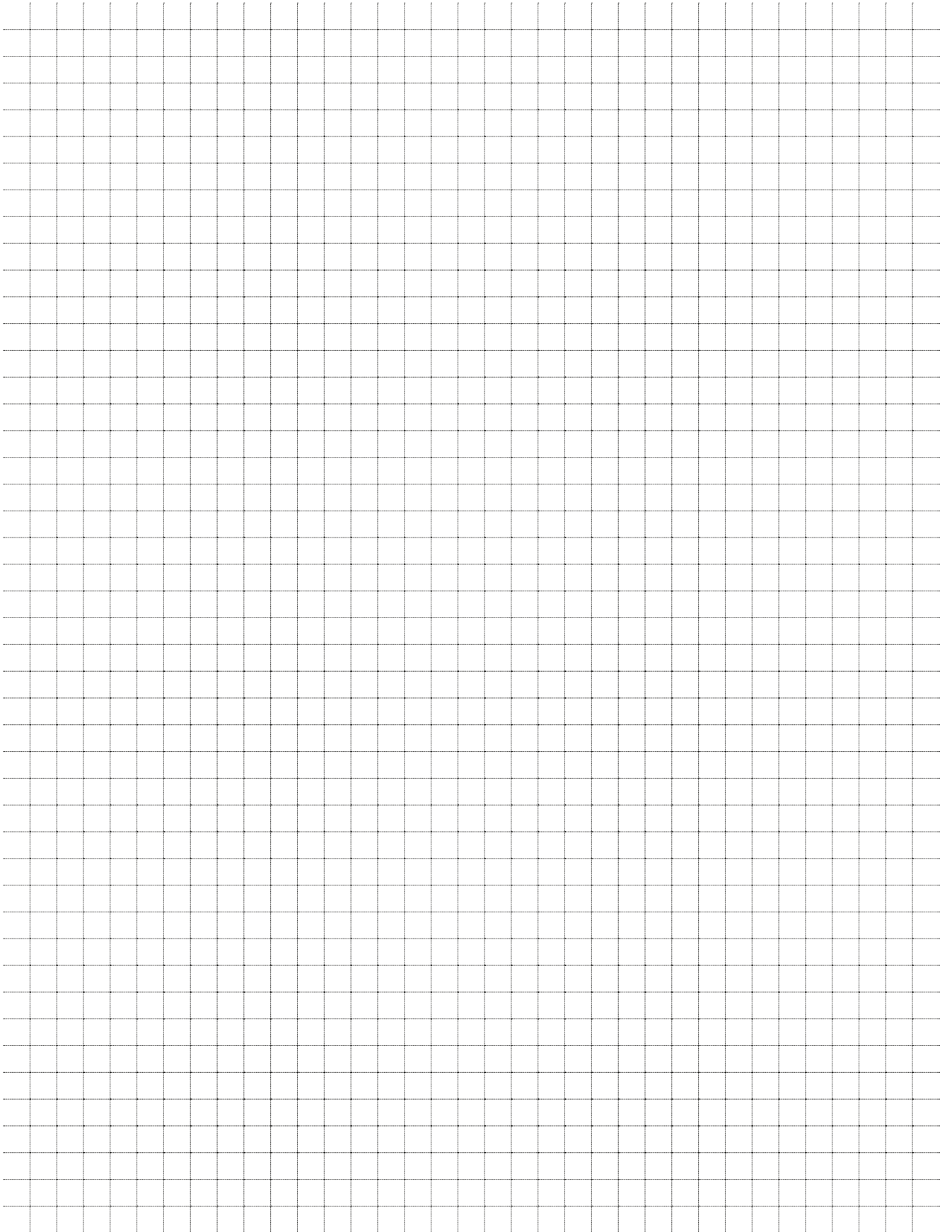
Recessed electrified track with spring loaded contacts: can be used with swiveling micro spotlights or linear lamps (300mm) both featuring magnetic fixing.

Description → [P.26](#)

		CODE			
A	Recessed track Black				custom
B	Magnetic swiveling spotlight Black - 24V DC	2x Spots	1W	3000K	600500002
C	Magnetic linear lamp 24V DC	2x 300mm	3,5W	3000K	600600039







The information in this catalog may be subject to errors. The items, their characteristics, data, and dimensions contained therein are not binding and may be subject to change without notice from the company.

L&S ITALIA SPA

SUBSIDIARIES

ITALY

Headquarters
Via L. Zanussi, 8
Maron di Brugnera (PN)
+39 0434 616611
info@ls-light.com

Varese
Via Pacinotti, 64
Varese (VA)
+39 0332 491247

Tavullia
Via del Lavoro, 4
Tavullia (PU)
+39 0721 901123

GERMANY

L&S Deutschland GmbH
Daimlerring, 34
Rödinghausen
+49 5223 8790-0
info@ls-light.de

CHINA

LS Lighting (Shanghai) Co., Ltd.
No. 255, LongPan Rd.,
Malu Town,
Jiading District, Shanghai
+86 021 6915 3825
info.china@ls-light.com

USA

L&S Lighting Corporation
1505 Pavilion Place, Suite A
Norcross, Georgia
+1 877 877 0757
info.us@ls-light.com

